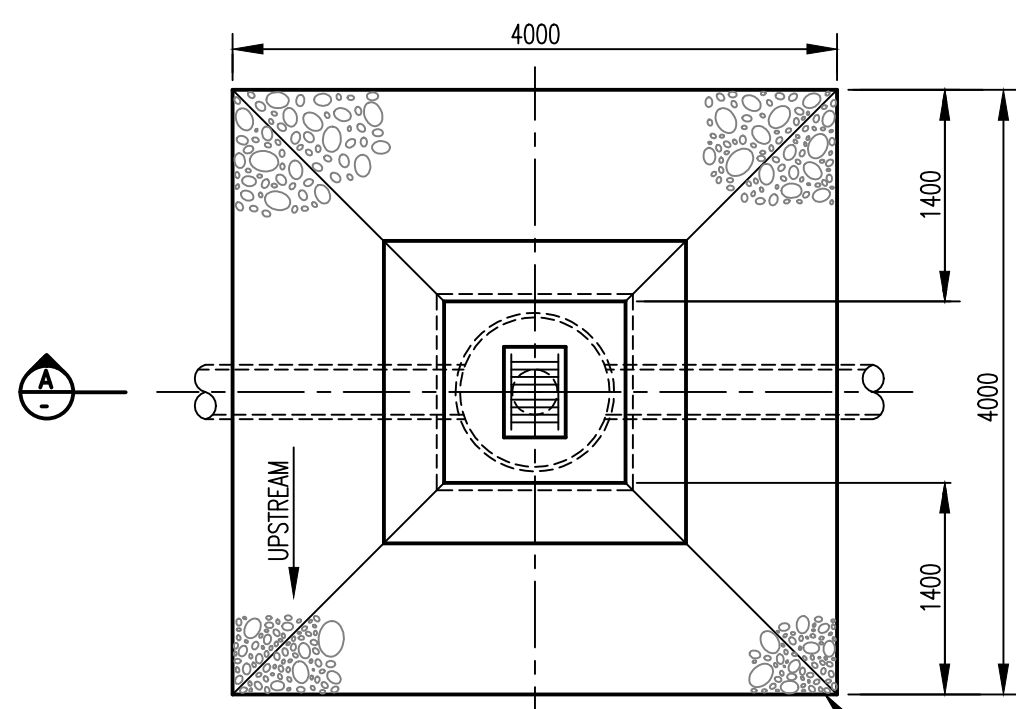
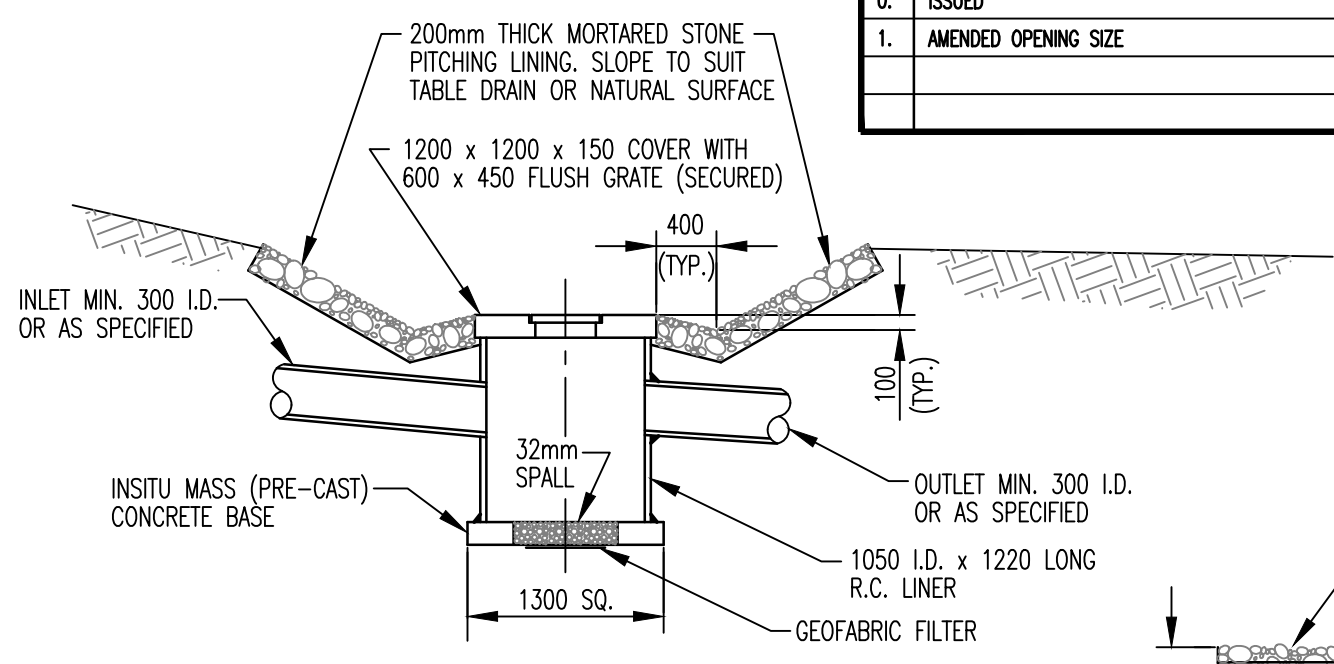


No	REVISION	BY	DATE	AUTH
0.	ISSUED	J.W.T.	8/2001	
1.	AMENDED OPENING SIZE	D.N.	6/2019	B.C.

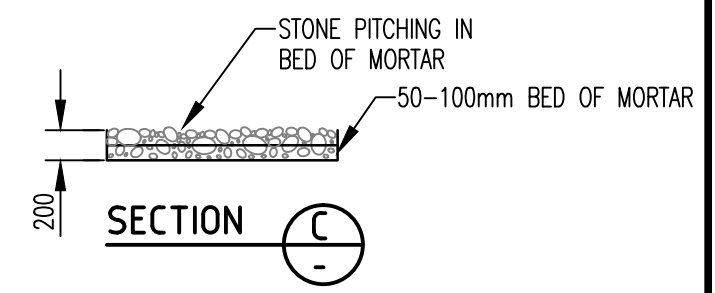


PLAN

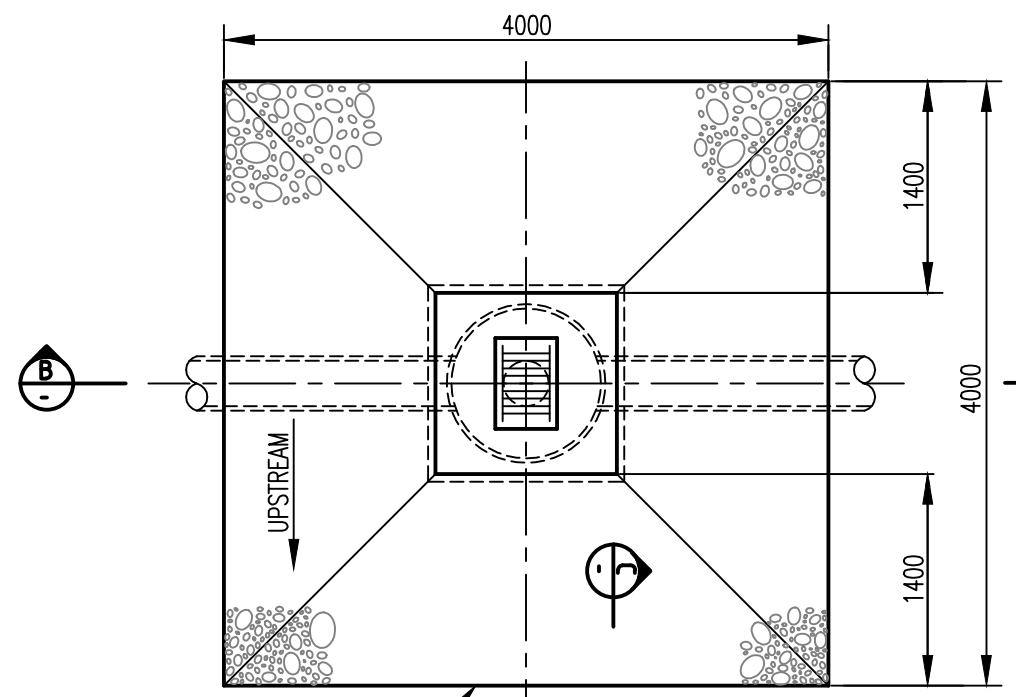
TYPE 1 - UNSTABILIZED SURFACE



SECTION A

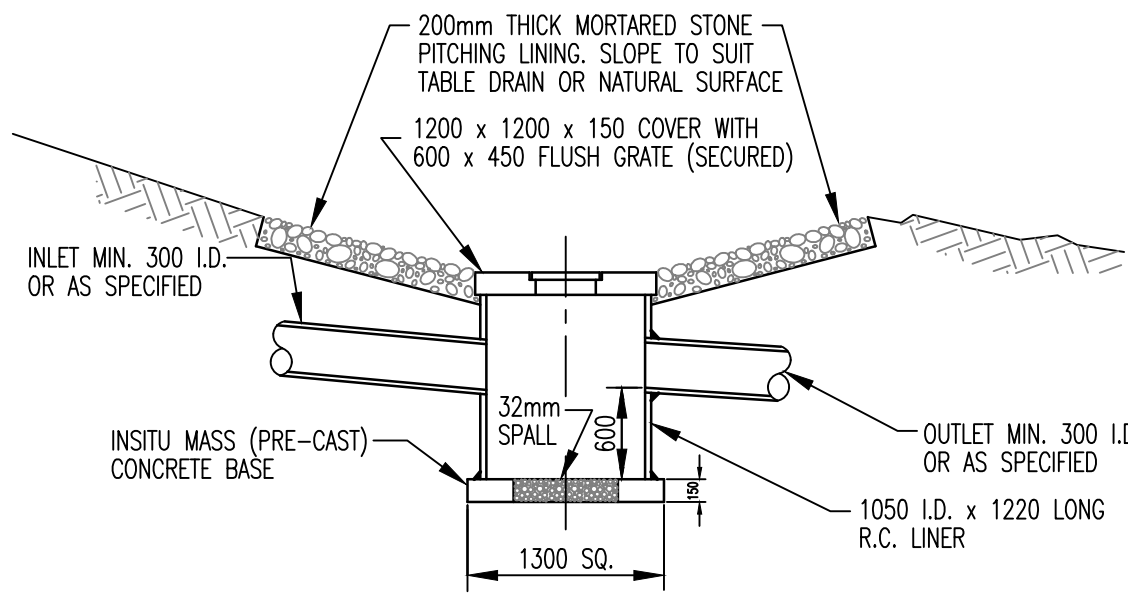


SECTION C



PLAN

TYPE 2 - STABILIZED SURFACE



SECTION B

NOTES:

1. STONE PITCHING GRADES TO MATCH TABLE DRAIN OR NATURAL SURFACE AT OUTLET/INLET STRUCTURE.
2. EXTENT OF STONE PITCHING MAY BE VARIED WITH CONSTRUCTION ENGINEER'S APPROVAL TO SUIT SITE.
3. IF STRUCTURE IS LOCATED ON COUNCIL CONTROLLED RESERVES, APPROVAL OF CITY'S PARKS COORINATOR IS REQUIRED.
4. APPLICATION OF STRUCTURE TO DEPEND UPON SURFACE TYPE  
I.E. : STABILIZED SURFACES - GRASSED AND LANDSCAPED RESERVES, TABLE DRAINS AND VERGES.  
: UNSTABILIZED SURFACES - RECENTLY EARTHWORKED AND/OR RE-CUT TABLE DRAINS AND RESERVES.
5. STRUCTURE TYPE MAY ALSO BE VARIED BY THE APPROVAL OF THE CITY.

\* INDICATES SIGNATURES ON ORIGINAL ISSUE OF DRAWING.

DATUM: N/A	GRID: N/A	SURVEYOR: N/A	DESIGNED: C.O.W.	APPROVED: * T. QUINN 8/8/2001
SCALE: 1:50 SCALE IN MILLIMETRES			DRAWN: C.O.W.	COORDINATOR
DESIGN ARCHIVE:			DESIGN CHECKED:	* R. KORENHOF 23/8/2001 MANAGER INFRASTRUCTURE
DRAWING ARCHIVE: *FINAL STANDARD DRAWINGS			DESIGNER	APPROVED: * D. BLAIR 23/8/2001 DIRECTOR TECHNICAL SERVICES
			STANDARDS/DOCUMENT CONTROL: * J. TRIMMER 8/8/2001 INFRASTRUCTURE TECHNICAL OFFICER	

DRAINAGE  
AT GRADE TABLE DRAIN  
INLET / OUTLET STRUCTURES

**CITY OF WANNEROO**  
**TECHNICAL SERVICES**

**INFRASTRUCTURE SERVICES**

FILE No.	DRAWING No	SHEET	REVISION	ORIGINAL DRG.SIZE
	TS 03 - 6 - 1			A3

LOCALITY STANDARD