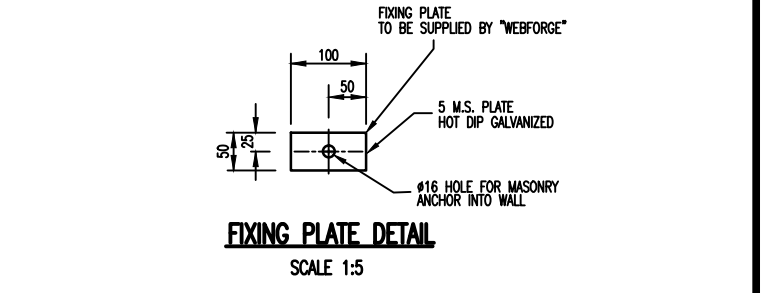
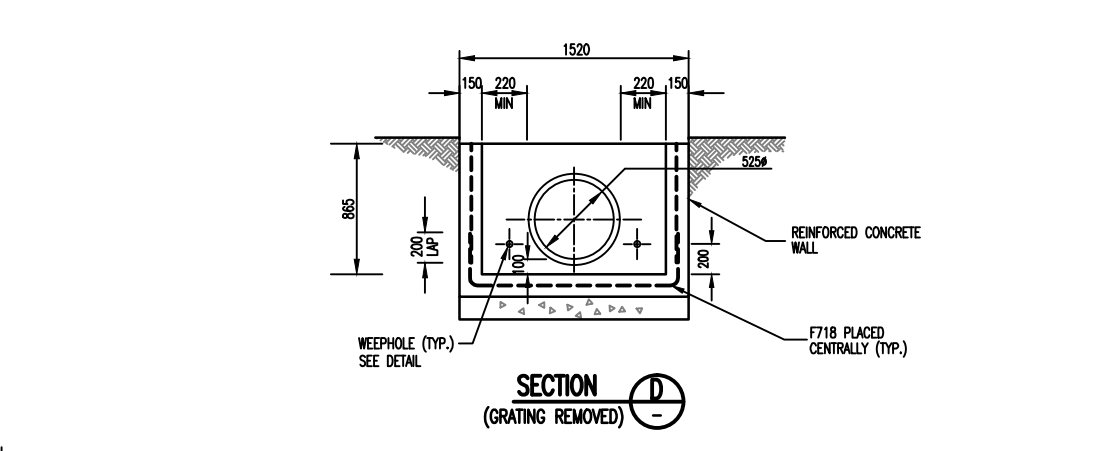
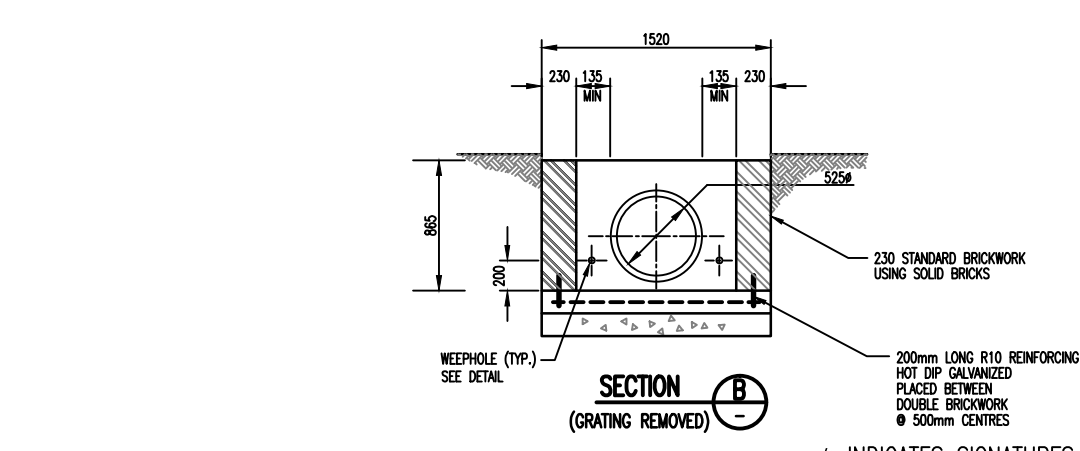
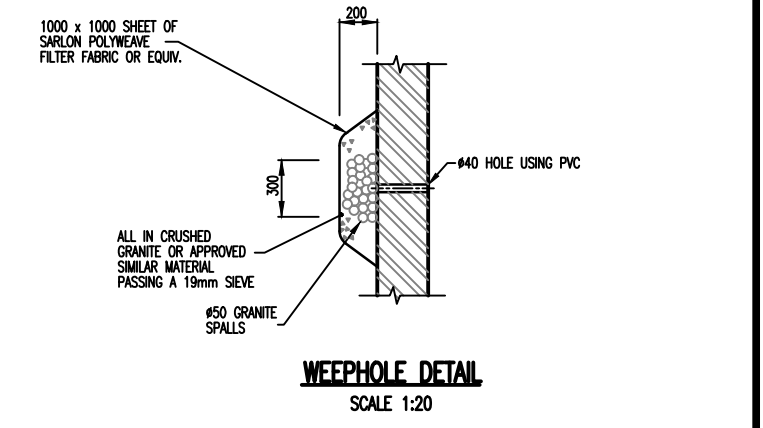
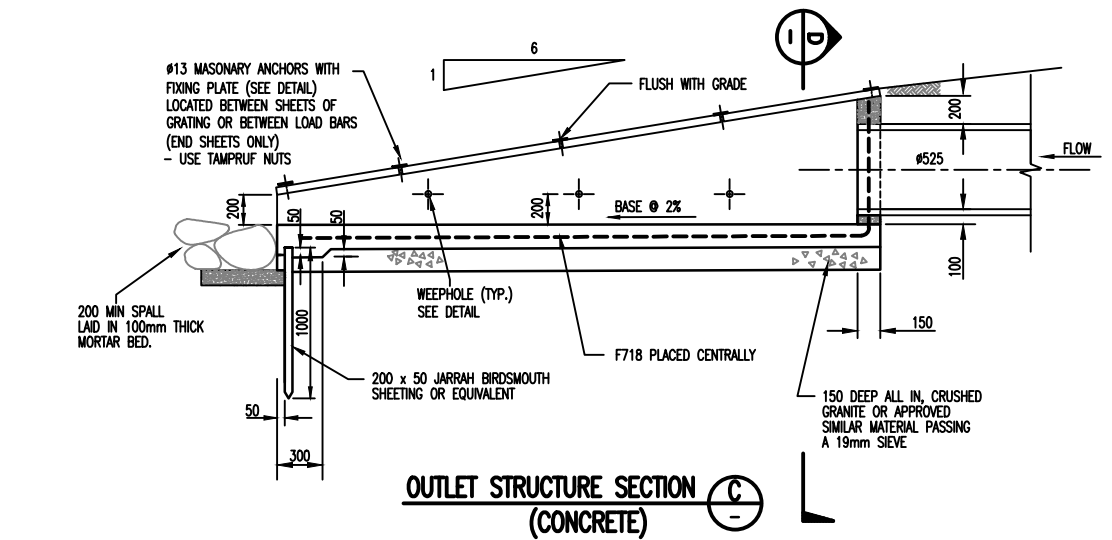
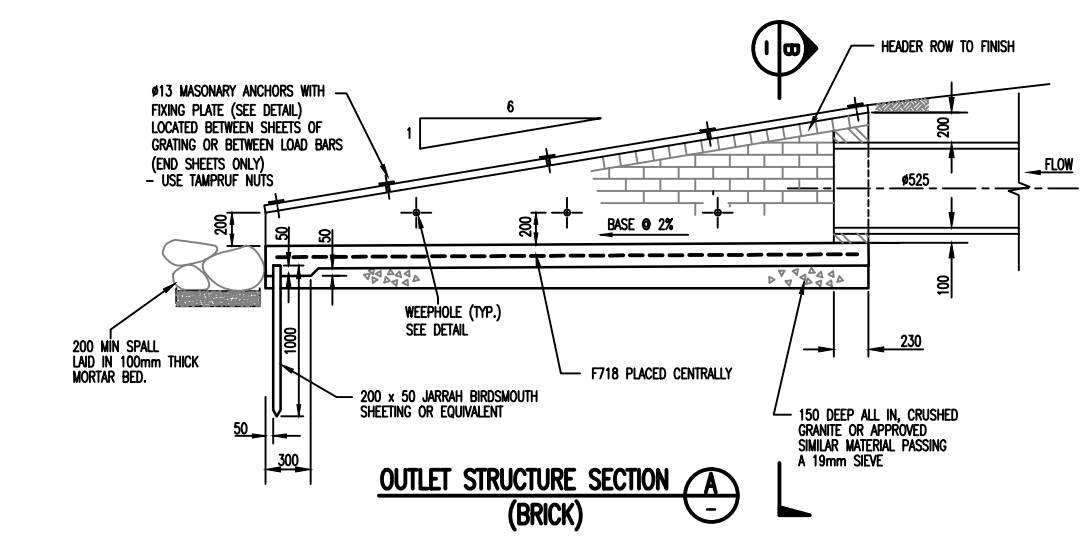
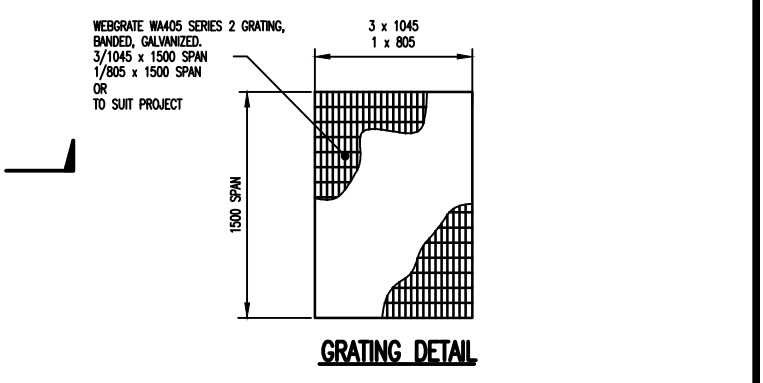
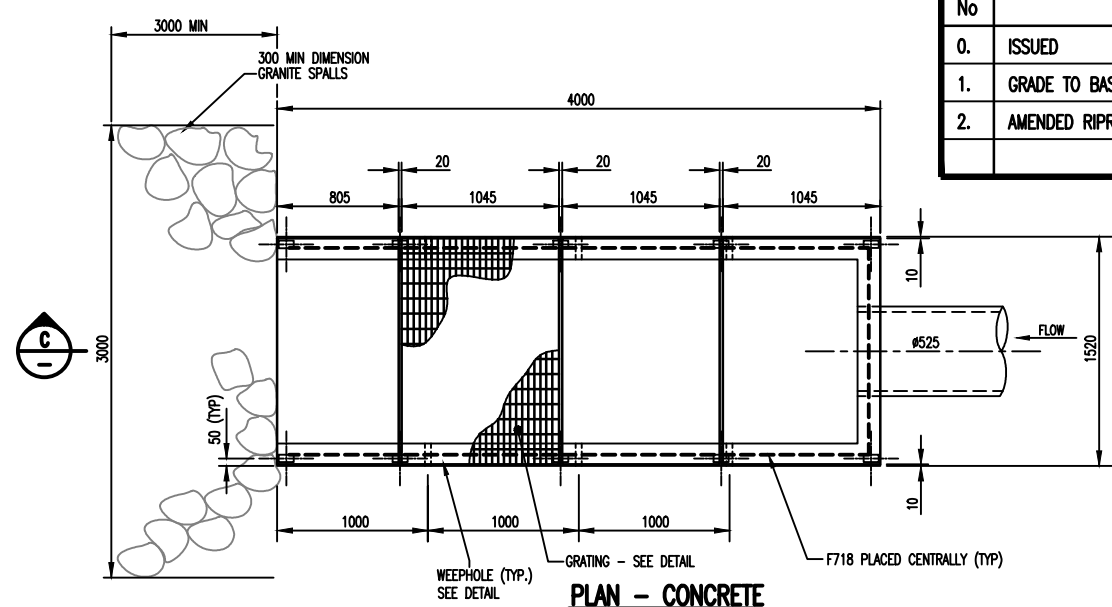
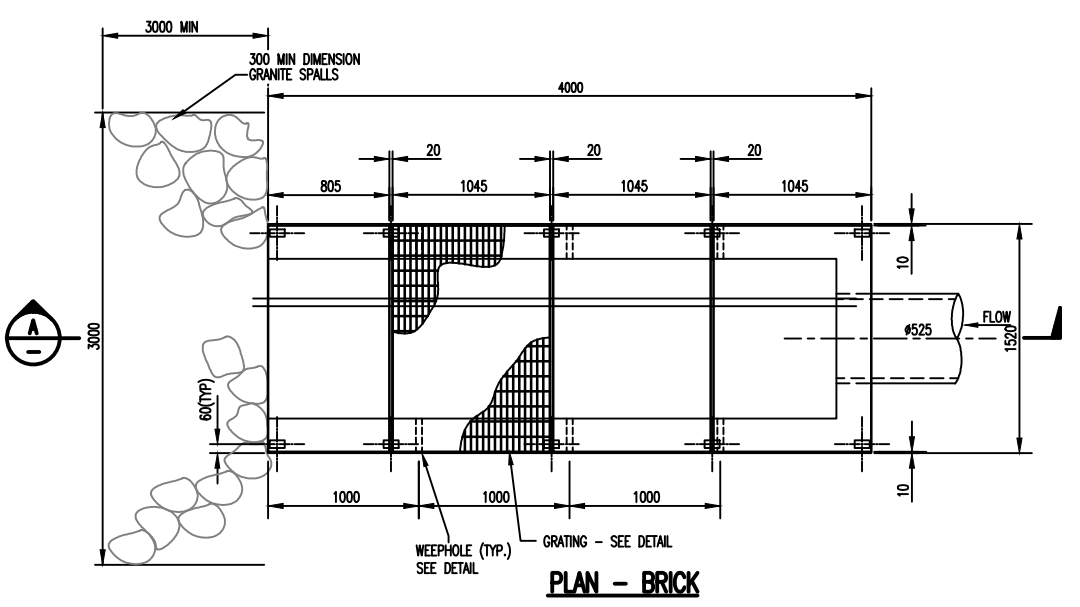


| No | REVISION | BY | DATE | AUTH |
|----|---|--------|--------|------|
| 0. | ISSUED | J.W.T. | 8/2001 | |
| 1. | GRADE TO BASE OF FLUME | J.W.T. | 3/2016 | |
| 2. | AMENDED RIPRAP DIMENSION, NOTE 2, DRAWING NAME AND REMOVED NOTE 6 | D.N. | 6/2019 | B.C. |



- NOTES**
- COVER TO REINFORCEMENT TO BE 60mm MINIMUM.
 - ALL CONCRETE WORKS TO BE IN ACCORDANCE WITH AS3600. CONCRETE TO BE 20 Mpa @ 28 DAYS.
 - BRICKS - 230 x 100 x 76 SOLIDS LAID IN A STRETCHER BOND PATTERN FOR WALLS WITH HEADER COURSE.
 - ALL BRICKWORK AND MORTAR TO COMPLY WITH AS3700. MORTAR TO BE A 1:1:6 MIX.
 - CUT PIPES TO FINISH FLUSH WITH INSIDE OF STRUCTURE WALL. CONNECTION OF PIPES TO STRUCTURE TO BE MADE GOOD WITH MORTAR.
 - OVERALL DIMENSIONS OF STRUCTURE MAY VARY TO SUIT LOCAL PROJECT CONDITIONS.

* INDICATES SIGNATURES ON ORIGINAL ISSUE OF DRAWING.

| | | | | |
|--|----------------------|------------------|--|---|
| DATUM: N/A | GRID: N/A | SURVEYOR: N/A | DESIGNED: C.O.W. | APPROVED: * T. QUINN 8/8/2001 |
| SCALE: 1:50 | SCALE IN MILLIMETRES | | DRAWN: C.O.W. | COORDINATOR: APPROVED: * R. KORENHOF 8/8/2001 MANAGER INFRASTRUCTURE |
| DESIGN ARCHIVE: | DESIGN CHECKED: | DESIGNER: | STANDARDS/DOCUMENT CONTROL: * J. TRIMMER 8/8/2001 INFRASTRUCTURE TECHNICAL OFFICER | APPROVED: * D. BLAIR 8/8/2001 DIRECTOR TECHNICAL SERVICES |
| DRAWING ARCHIVE: *FINAL STANDARD DRAWINGS | | | | |

DRAINAGE
OUTLET STRUCTURE DETAILS
(Preferred Option for Discharging Stormwater into POS)

LOCALITY: STANDARD

CITY OF WANNEROO
TECHNICAL SERVICES

INFRASTRUCTURE SERVICES

| | | | | |
|----------|---------------|-------|----------|-------------------|
| FILE No. | DRAWING No | SHEET | REVISION | ORIGINAL DRG.SIZE |
| | TS 03 - 1 - 2 | 1 - 2 | | A3 |