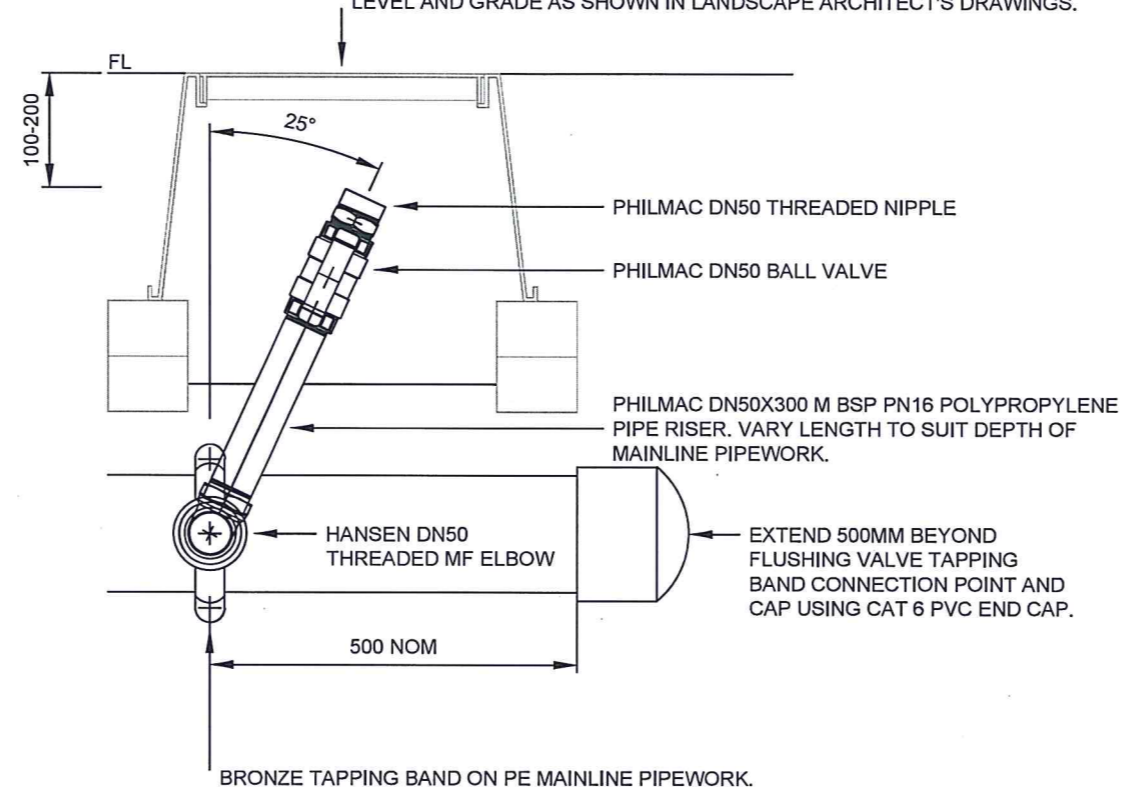


No.	REVISION	BY	DATE	AUTH
0	ISSUED	CL	01/2016	

RAIN BIRD 55.4X42.2X30.5CM STANDARD RECTANGULAR VB SERIES VALVE BOX (VB-STD). SUPPORT VALVE BOX ON MINIMUM OF ONE COURSE OF UNMORTARED BRICKS ON CLEAN COMPACTED BACKFILL. WHERE ADDITIONAL CHAMBER DEPTH IS REQUIRED USE STACKED VALVE BOXES IN ACCORDANCE WITH MANUFACTURER'S SPECIFICATION. BOX TO BE SET TO SUIT FINISHED LEVEL AND GRADE AS SHOWN IN LANDSCAPE ARCHITECT'S DRAWINGS.



TYPICAL FLUSHING (BALL) VALVE INSTALLATION ON MAINLINE PIPEWORK

SCALE: NOT TO SCALE SCALE IN MILLIMETRES	DATUM: N/A	GRID: N/A
SURVEYED: N/A SURVEYOR	CHECKED: [Signature] TECHNICAL OFFICER - IRRIGATION	08/02/2016
DESIGNED: X.XXXX CIVIL PROJECTS DESIGNER	AUTHORISED: [Signature] MANAGER PARKS AND RESERVES MAINTENANCE	08/02/2016
DRAWN: X.XXXX CIVIL PROJECTS DESIGNER	APPROVED: [Signature] DIRECTOR ASSET MANAGEMENT	9/2/2016

IRRIGATION
FLUSHING (BALL) VALVE INSTALLATION
ON MAINLINE PIPEWORK

STANDARD
SHEET 1 OF 1

CITY OF WANNEROO
INFRASTRUCTURE



FILE No. N/A	DRAWING No. SHEET REVISION	ORIGINAL DRG. SIZE
PROJECT No. N/A	TS 40-22-0	A3