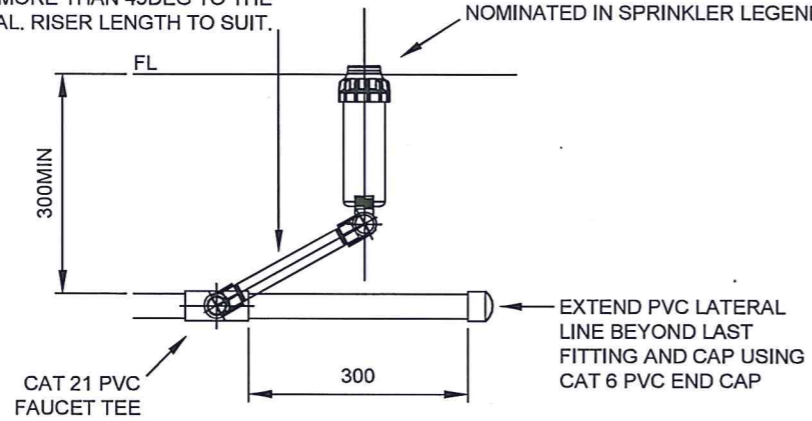
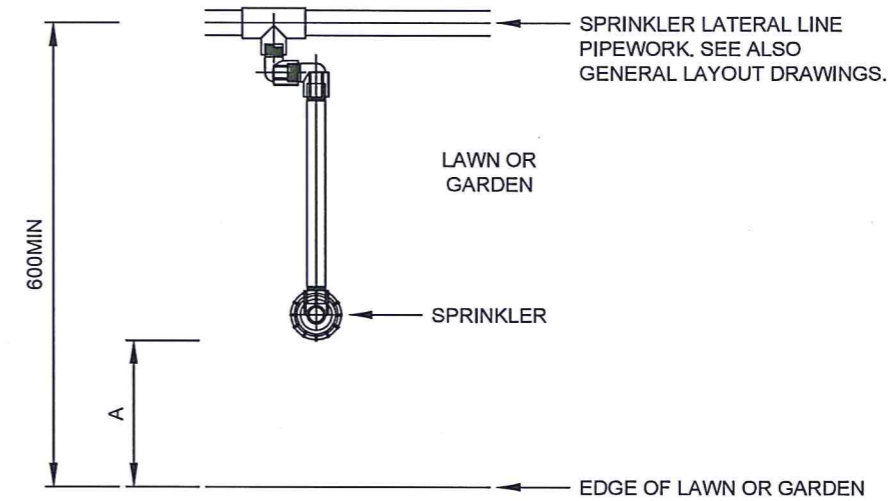


No.	REVISION	BY	DATE	AUTH
0	ISSUED	CL	01/2016	

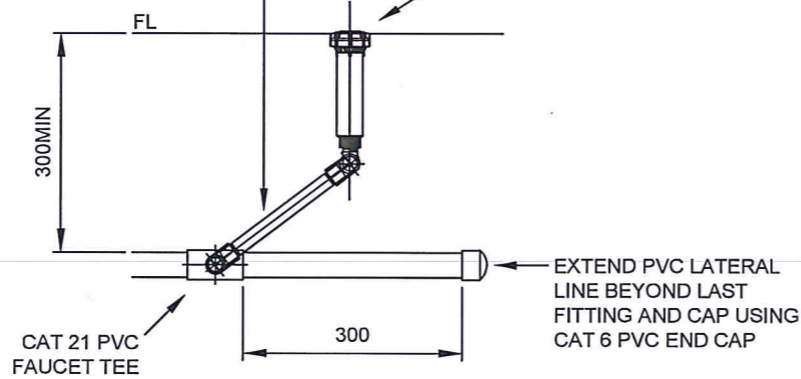
RIGID ARTICULATED RISER ASSEMBLY COMPLETE WITH BLACK POLY RISER AND THREADED ELBOWS SIZED AS PER SPRINKLER INLET THREAD SIZE. SET RISER AT AN ANGLE OF NOT MORE THAN 45DEG TO THE HORIZONTAL. RISER LENGTH TO SUIT.



TYPICAL POP-UP ROTOR SPRINKLER INSTALLATION ON PVC PIPEWORK



RIGID ARTICULATED RISER ASSEMBLY COMPLETE WITH BLACK POLY RISER AND THREADED ELBOWS SIZED AS PER SPRINKLER INLET THREAD SIZE. SET RISER AT AN ANGLE OF NOT MORE THAN 45DEG TO THE HORIZONTAL. RISER LENGTH TO SUIT.



TYPICAL POP-UP SPRAY SPRINKLER INSTALLATION ON PVC PIPEWORK

TABLE OF SPRINKLER OFFSETS

EDGE TYPE	DIMENSION A	
	SPRAY†	ROTOR†
BACK OF KERB OR EDGE OF PAVEMENT.	100	300
GARDEN WALL WITH NO MOWING STRIP.	200	200
BUILDING FACADE WITH NO MOWING STRIP.	600	600
† SPRINKLER TYPE. SEE GENERAL LAYOUT DRAWINGS.		

SPRINKLER AND LATERAL PIPE OFFSETS FROM LAWN AND GARDEN EDGES

SCALE: NOT TO SCALE SCALE IN MILLIMETRES	DATUM: N/A	GRID: N/A
SURVEYED: N/A	CHECKED: [Signature] 08/02/2016	
SURVEYOR: / /2016	TECHNICAL OFFICER - IRRIGATION	
DESIGNED: X.XXXX	AUTHORISED: [Signature] 08/02/2016	
CIVIL PROJECTS DESIGNER	MANAGER PARKS AND RESERVES MAINTENANCE	
DRAWN: X.XXXX	APPROVED: [Signature] 9/10/2016	
CIVIL PROJECTS DESIGNER	DIRECTOR ASSET MANAGEMENT	

# IRRIGATION

SPRINKLER  
INSTALLATION

STANDARD  
SHEET 1 OF 1

**CITY OF WANNEROO**  
INFRASTRUCTURE



FILE No. N/A	DRAWING No.	SHEET	REVISION	ORIGINAL DRG. SIZE
PROJECT No. N/A	<b>TS 40-16-0</b>			<b>A3</b>