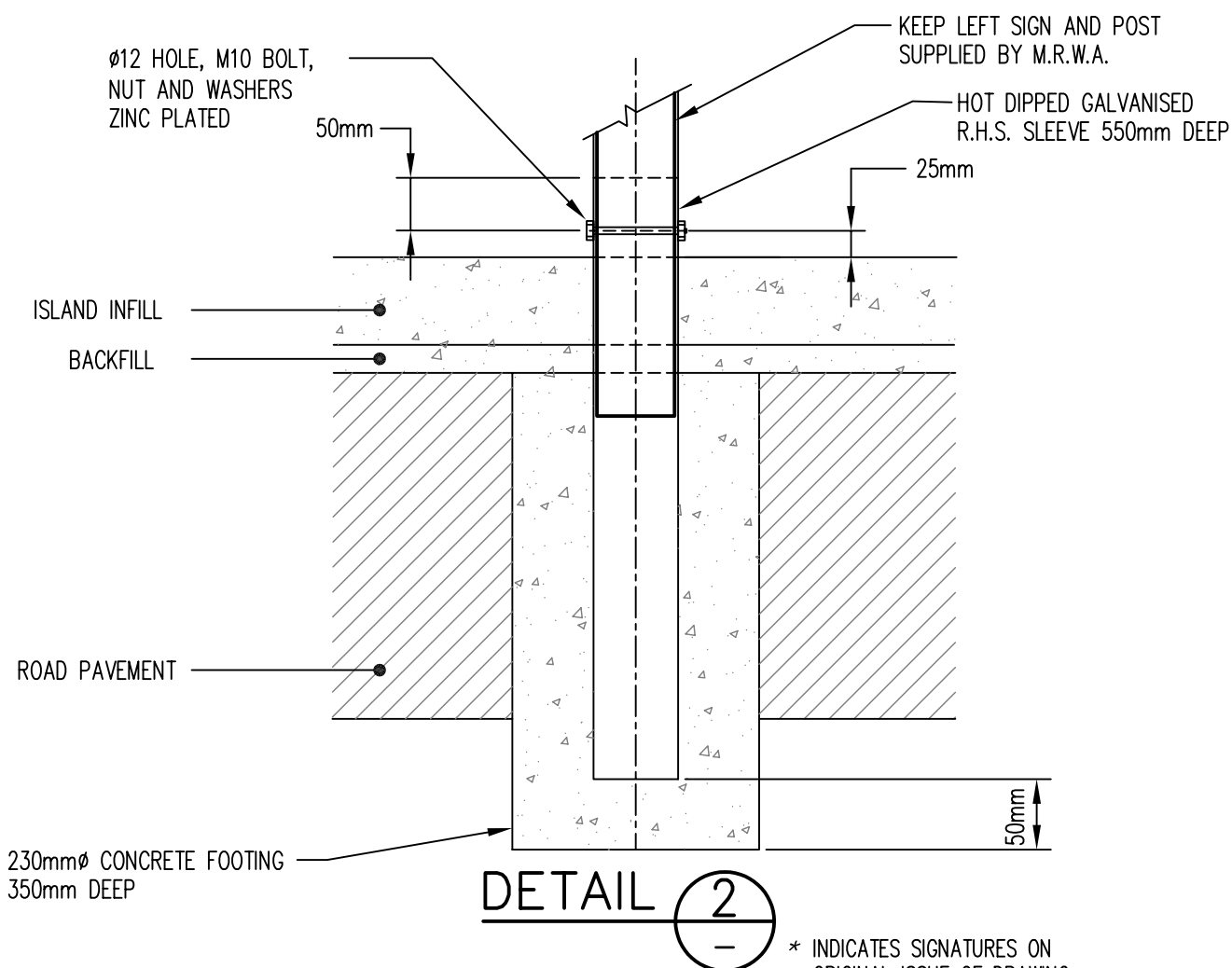
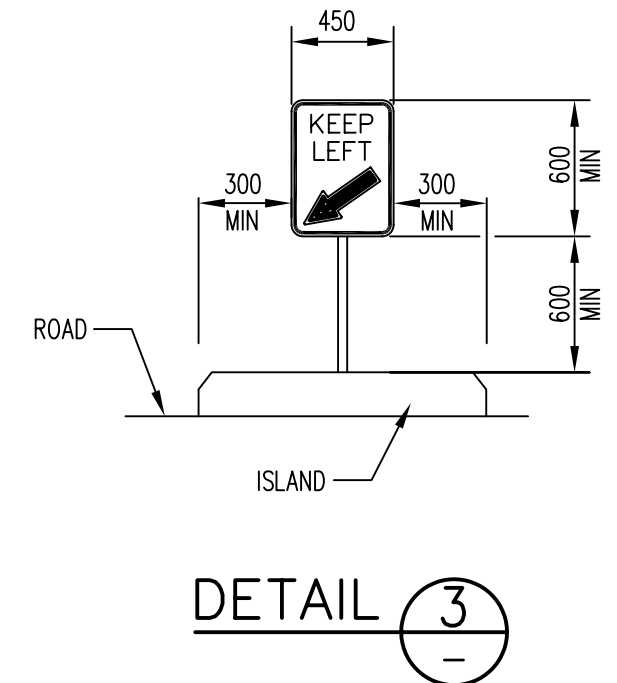
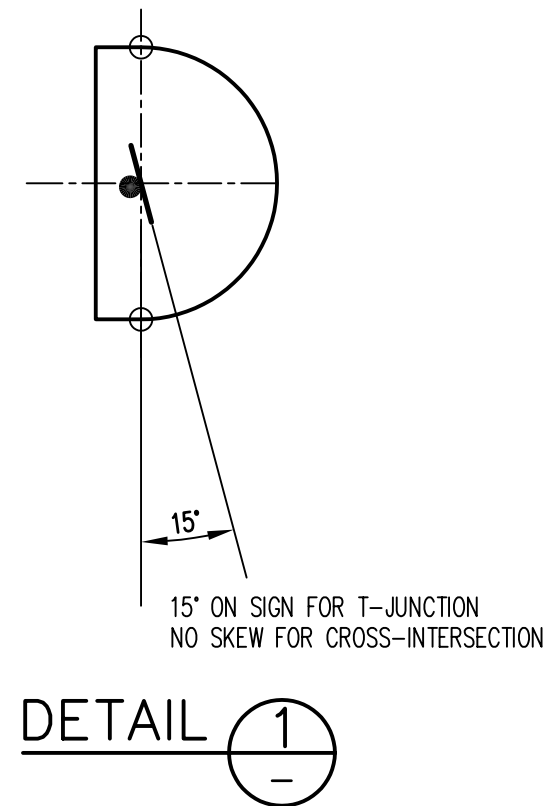
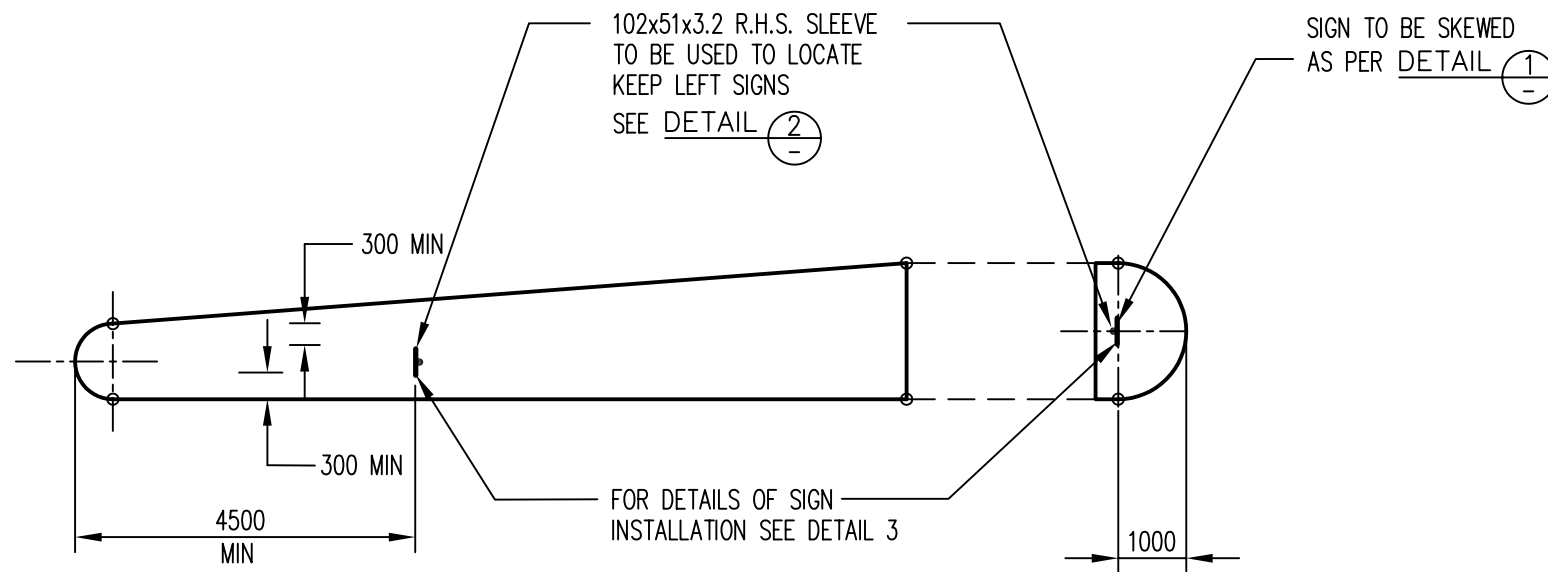


No	REVISION	BY	DATE	AUTH
0.	ISSUED	J.W.T.	8/2001	



* INDICATES SIGNATURES ON ORIGINAL ISSUE OF DRAWING.

NOTES:

1. STEEL SLEEVE SHALL BE HOT DIPPED GALVANISED IN ACCORDANCE WITH GALVANISED COATINGS AS1650 - 1981
2. CONCRETE FOOTING SHALL BE 20 MPa COMPRESSIVE STRENGTH AT 28 DAYS
3. STEEL FITTINGS SHALL BE ZINC PLATED TO AS1897 - 1976 ELEKTROPLATED COATING ON THREADED FASTENERS
4. ISLAND NOSES TO BE PAINTED WITH WHITE REFLECTIVE PAINT.

DATUM: N/A	GRID: N/A	SURVEYOR: N/A	DESIGNED: C.O.W	APPROVED: * T. QUINN 8/8/2001 COORDINATOR
SCALE: DIAGRAMMATIC			DRAWN: C.O.W	APPROVED: * R. KORENHOF 8/8/2001 MANAGER INFRASTRUCTURE
DESIGN ARCHIVE:			DESIGN CHECKED: DESIGNER	APPROVED: * D. BLAIR 8/8/2001 DIRECTOR TECHNICAL SERVICES
DRAWING ARCHIVE: *FINAL STANDARD DRAWINGS			STANDARDS/DOCUMENT CONTROL: * J. TRIMMER 8/8/2001 INFRASTRUCTURE TECHNICAL OFFICER	

JUNCTION TREATMENTS
MEDIAN ISLAND
KEEP LEFT SIGN INSTALLATION
DETAILS
LOCALITY STANDARD

CITY OF WANNEROO				
TECHNICAL SERVICES				
INFRASTRUCTURE SERVICES				
FILE No.	DRAWING No	SHEET	REVISION	ORIGINAL DRG. SIZE
	TS 10 - 7 - 0			A3