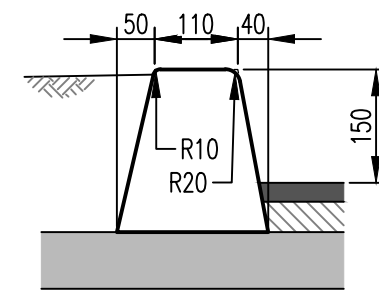
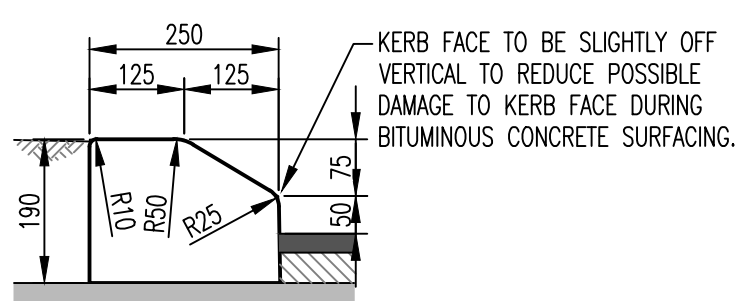
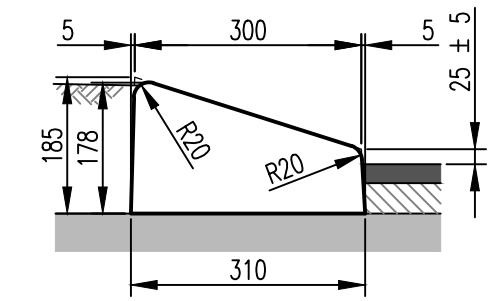


MOUNTABLE KERB

SEMI MOUNTABLE KERB

BARRIER KERB

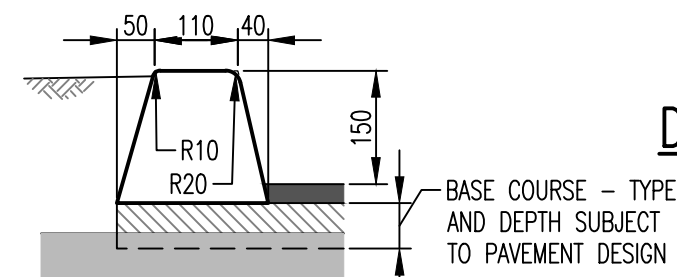
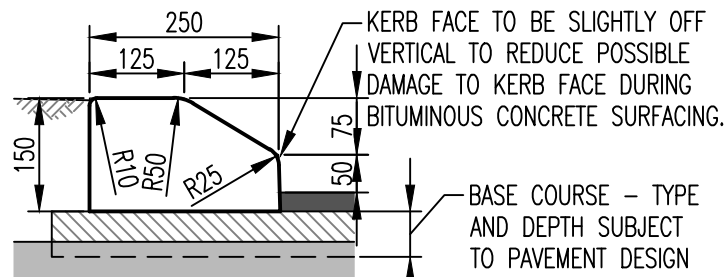
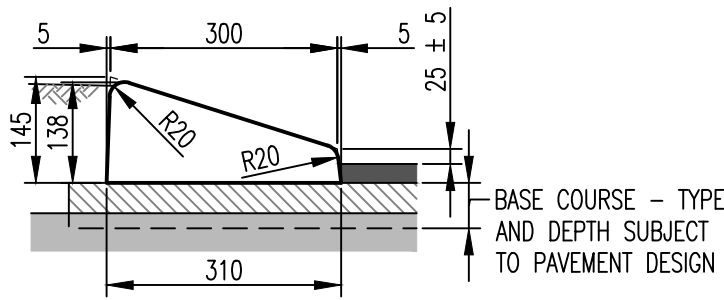
No.	REVISION	BY	DATE	AUTH
0	ISSUED	J.W.T	8/2001	
1	MOUNTED KERB DETAIL, AMENDED, NOTES AMENDED	T.T	3/2006	B.C.
2	SPECIAL MOUNTABLE KERB ADDED, NOTES AMENDED	S.F.	04/2008	M.B.
3	ALL KERB DETAILS MODIFIED, BARRIER KERB ADDED, TITLE BLOCK UPDATED	C.H.	11/2010	I.B.
4	SPELLING MISTAKE CORRECTED AND JOINT DISTANCES ALTERED	C.H.	4/2011	P.W.
5	SPECIFICATIONS ADJUSTED TO ALIGN WITH IPEWA STANDARDS	C.H.	4/2011	D.B.
6	TOE OF KERB ADJUSTED	C.H.	5/2011	I.B.
7	TOE OF MOUNTABLE KERB ADJUSTED	D.N.	11/2020	B.C.



TYPE 1 ON LIMESTONE SUB-BASE

TYPE 1 ON LIMESTONE SUB-BASE

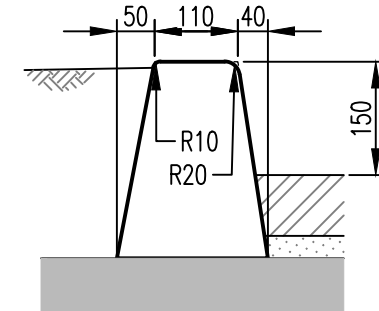
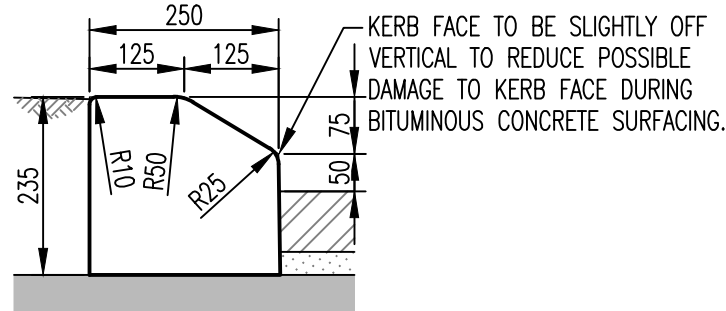
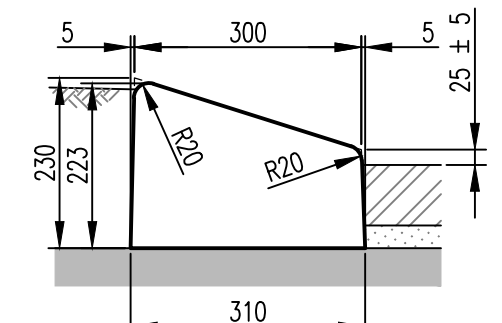
TYPE 1 ON LIMESTONE SUB-BASE



TYPE 2 ON BASE COURSE

TYPE 2 ON BASE COURSE

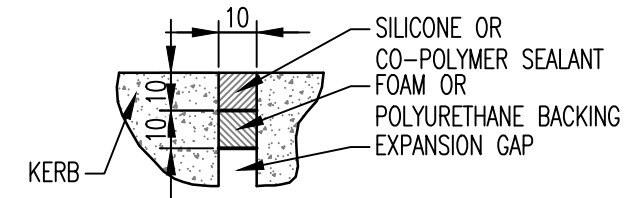
TYPE 2 ON BASE COURSE



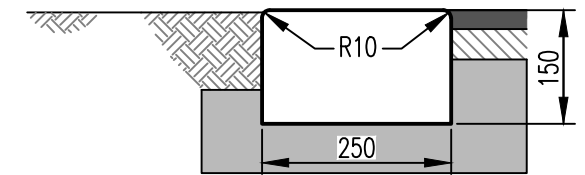
TYPE 3 WITH BLOCK PAVING

TYPE 3 WITH BLOCK PAVING

TYPE 3 WITH BLOCK PAVING

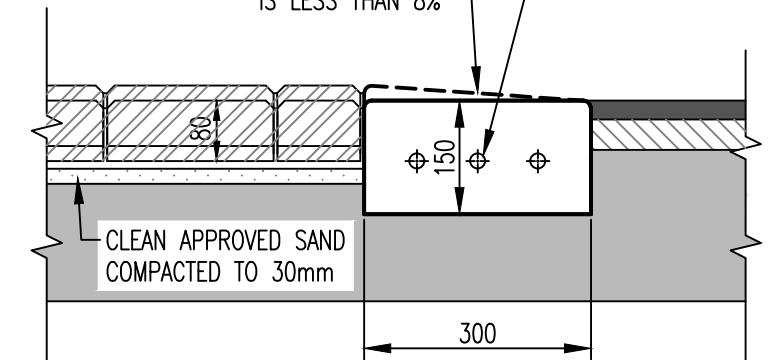


DETAIL OF EXPANISON JOINT DETAIL
SCALE 1:2



NON-REINFORCED FLUSH KERBING
(NOT TO BE CUT)

20mm RISE OVER WIDTH OF KERB WHEN ROAD IS DRAINING FROM PAVING TO ASPHALT AND LONGITUDINAL SLOPE OF ROAD PAVING IS LESS THAN 8%
3-N12 AT 80mm CENTRES LOCATED CENTRALLY IN BEAM



REINFORCED FLUSH EDGE BEAM
FOR BLOCK PAVING

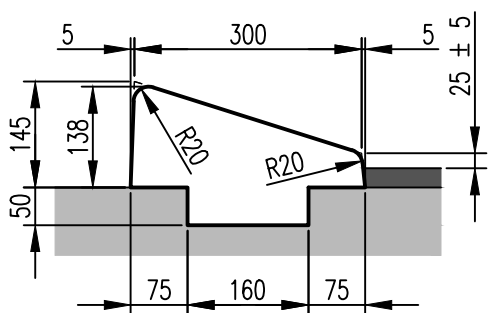
NOTES:

1. CONCRETE STRENGTH TO BE 32 MPA @ 28 DAYS.
2. CONTRACTION JOINTS: RULED/STAMPED AT 2m INTERVALS. EXPANSION JOINTS: PLACED AT 6m INTERVALS TO LINE UP WITH FOOTPATH JOINTS.
3. REINFORCED FLUSH EDGE BEAM NOT TO BE CUT
4. REINFORCEMENT TO BE STRUCTURAL GRADE STEEL COMPLYING WITH AS/NZS4671 GRADE D500N
5. ALL KERBS TO BE CURED BY EITHER COVERING WITH BUILDERS PLASTIC FOR 2 DAYS FOLLOWING POURING OR THE USE OF AN APPROVED CURING COMPOUND.
6. NEW KERBING TO BE PROTECTED FROM TRAFFIC FOR A MINIMUM OF 7 DAYS AFTER INSTALLATION.

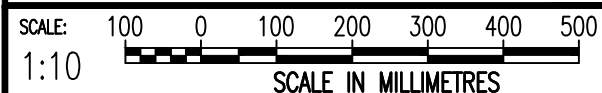
LEGEND

- 80mm BLOCK PAVING
- 30mm SAND BEDDING
- 25mm FINAL COURSE ASPHALT
- 40mm HIGH FATIGUE RESISTANT BASE COURSE ASPHALT
- 200mm LIMESTONE SUB-BASE

* INDICATES SIGNATURES ON ORIGINAL ISSUE OF DRAWING.



MOUNTABLE KERB WITH KEY



DATUM: N/A
GRID: N/A

KERB AND KERB RAMPS

EXTRUDED SECTIONS
MOUNTABLE, SEMI-MOUNTABLE, BARRIER,
FLUSH, REINFORCED FLUSH & MOUNTABLE WITH KEY

STANDARD

CITY OF WANNEROO
INFRASTRUCTURE



SURVEYED:	CHECKED:
SURVEYOR	* T.QUINN
DESIGNED:	AUTHORISED:
C.O.W.	* R.KORENHOF
CIVIL PROJECTS DESIGNER	MANAGER INFRASTRUCTURE
DRAWN:	APPROVED:
C.O.W.	* D.BLAIR
CIVIL PROJECTS DESIGNER	DIRECTOR TECHNICAL SERVICES

FILE No.	DRAWING No.	SHEET	REVISION	ORIGINAL DRG. SIZE
N/A				
PROJECT No.	TS05-01-7			A3
N/A				