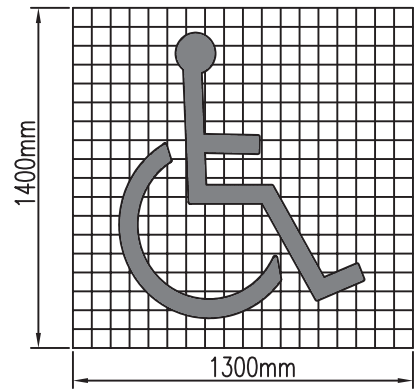
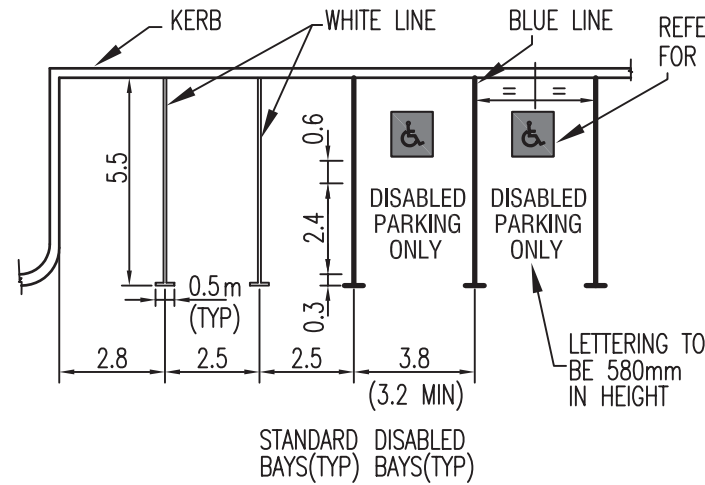


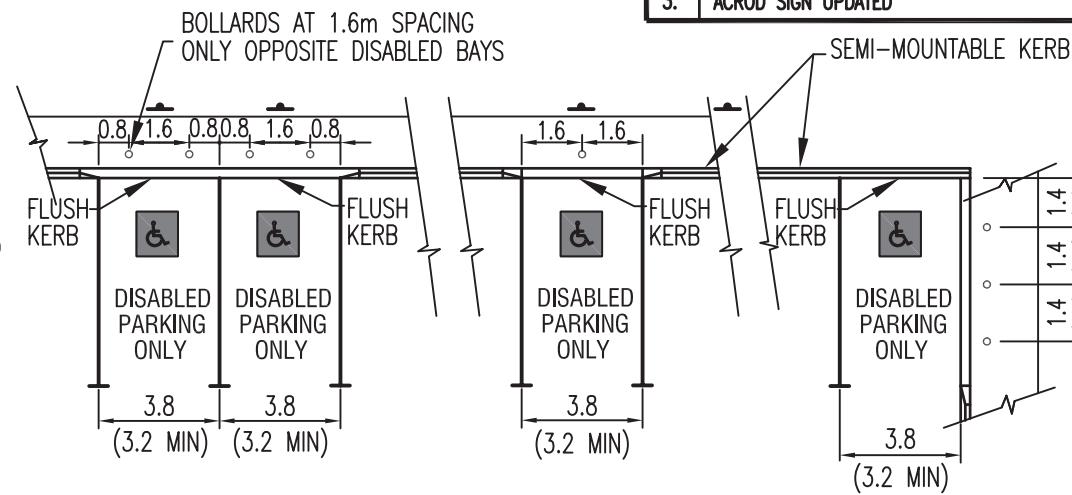
No	REVISION	BY	DATE	AUTH
0.	ISSUED	J.W.T.	8/2001	
1.	PAVEMENT MARKING WITHIN BAY UPDATED	T.T.	7/2005	D.B.
2.	NOTES AMENDED	T.T.	2/2006	B.C.
3.	ACROD SIGN UPDATED	J.T.	6/2009	B.C.



**INTERNATIONAL SYMBOL FOR ACCESS**  
SCALE 1:20



**PARKING BAYS LINEMARKING LAYOUT**



**LAYOUT FOR TWO OR MORE INTERMEDIATE BAYS**  
**LAYOUT FOR SINGLE INTERMEDIATE BAY**  
**LAYOUT FOR END BAY**  
**LAYOUT PLAN**

**NOTE:**

NOTE IT IS PREFERRED TO HAVE BAY WIDTHS OF 3.8m. IF THERE ARE 2x 3.8M BAYS THIS MAKES UP 3 ORDINARY BAYS. HOWEVER 3.8m BAYS ALLOWS FOR VEHICLES WITH SIDE HYDRAULIC LIFTS TO BE USED. IF BAYS ARE ONLY 3.2m THEN THESE BAYS PRECLUDE THIS ACTIVITY.

**NOTES:**

1. PARKING SPACES SHALL BE LOCATED CLOSE TO AN ACCESSIBLE ENTRANCE TO BUILDING OR FACILITY (AS 1428.1)
2. PARKING SPACES SHALL BE IDENTIFIED BY A SIGN INCORPORATING INTERNATIONAL SYMBOL OF ACCESS FOR PEOPLE WITH DISABILITIES (AS 1428.1 & AS 1742-11)
3. PAVEMENT LINE MARKING & SYMBOL AND LEGEND TO BE ULTRAMARINE BLUE (B21) TO COMPLY WITH AS 2700 .
4. LEGEND AND SYMBOL ON SIGN TO BE REFLECTIVE WHITE FIGURE IN BLUE BACKGROUND. ANTI GRAFFITI COATING TO BE USED.
5. A SIGN IS REQUIRED FOR EACH LINEMARKED BAY.
6. BOLLARD TYPE TO BE APPROVED BY THE CITY OF WANNEROO.
7. BOLLARD TYPE AND FOOTINGS IN ACCORDANCE WITH DRG. No. TS01-1.
8. NUMBER OF BAYS PROVIDED TO BE IN ACCORDANCE WITH AS2890-1.
9. REFER TO DRG. No TS12-2 FOR FURTHER INFORMATION.



**INTERNATIONAL SYMBOL FOR ACCESS PARKING SIGN**  
**300mmx450mm (MIN. SIZE)**

SCALE N.T.S.

**LEGEND**

- ==== SEMI-MOUNTABLE KERB
- ===== WHITE LINE
- BLUE LINE
- ♿ INTERNATIONAL SYMBOL FOR ACCESS
- BOLLARDS – SPACING AS SHOWN
- ⬆ PARKING SIGN FOR PEOPLE WITH DISABILITIES (SEE NOTE 4)

\* INDICATES SIGNATURES ON ORIGINAL ISSUE OF DRAWING.

DATUM: N/A	GRID: N/A	SURVEYOR: N/A	DESIGNED: C.O.W	APPROVED: * T. QUINN 8/8/2001
SCALE: 1:100	SCALE IN METRES		DRAWN: C.O.W	COORDINATOR
DESIGN ARCHIVE:	DESIGN CHECKED:	DESIGNER	* R. KORENHOF 23/8/2001 MANAGER INFRASTRUCTURE	APPROVED:
DRAWING ARCHIVE: *\FINAL STANDARD DRAWINGS	STANDARDS/DOCUMENT CONTROL: * J. TRIMMER 8/8/2001 INFRASTRUCTURE TECHNICAL OFFICER	* D. BLAIR 23/8/2001 DIRECTOR TECHNICAL SERVICES		

**PARKING FACILITIES**  
FOR PEOPLE WITH DISABILITIES  
LAYOUT AND PAVEMENT MARKINGS & SIGNAGE

LOCALITY: STANDARD

**CITY OF WANNEROO**  
**TECHNICAL SERVICES**

**INFRASTRUCTURE SERVICES**

FILE No.	DRAWING No	SHEET	REVISION	ORIGINAL DRG. SIZE
	<b>TS 12 - 1 - 3</b>			<b>A3</b>