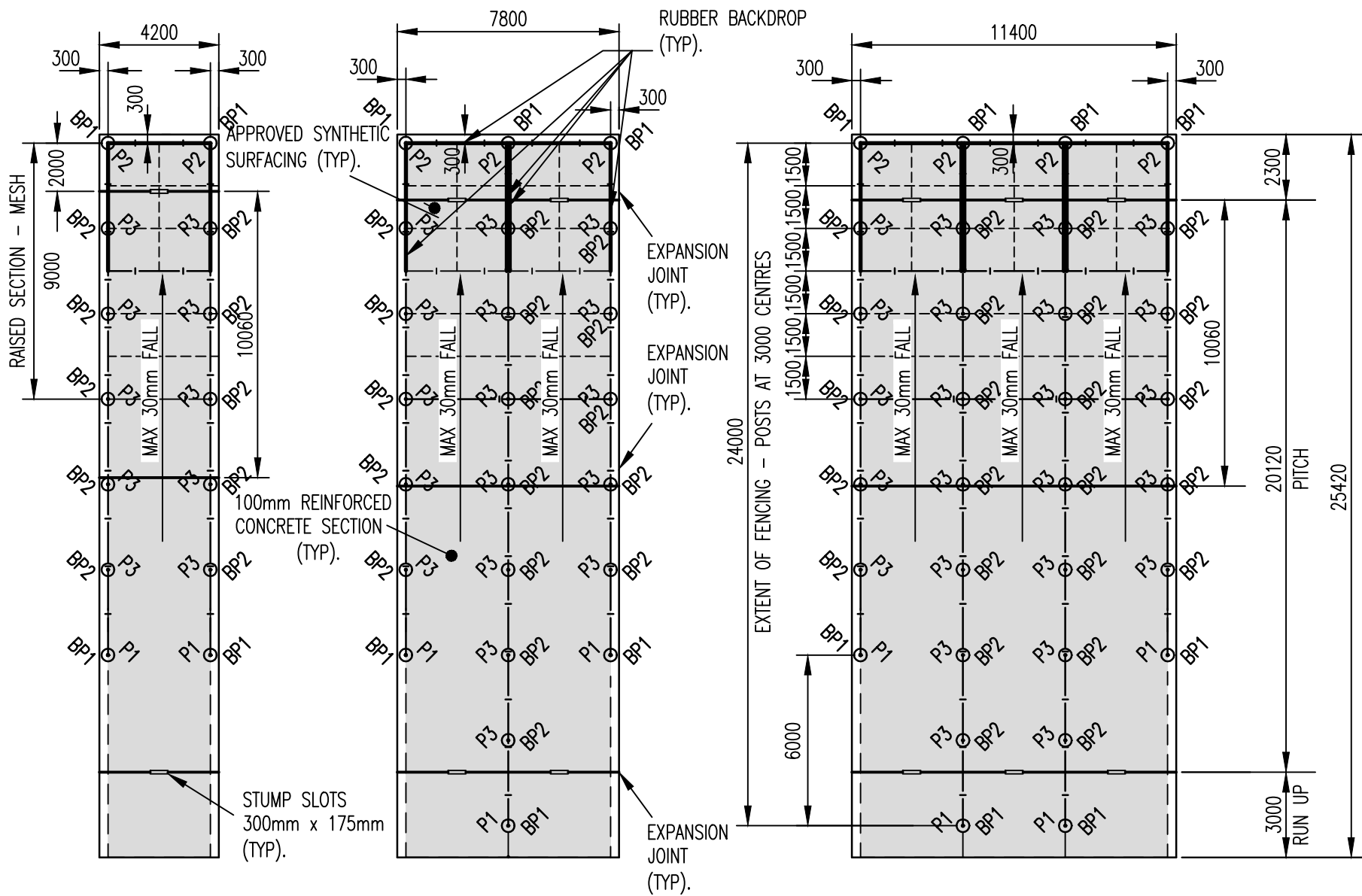


No	REVISION	BY	DATE	AUTH
0.	ISSUED	TENCO	10/2018	
1.	CENTRE PANNEL FENCE EXTENDED	TENCO	11/2018	PW

MEMBER SCHEDULE:

FENCE POSTS SHALL BE AS SPECIFIED IN AS1725.4-2010, AS SHOWN IN THE DRAWINGS PROVIDED AND AS SPECIFIED IN THE MEMBER SCHEDULE BELOW:

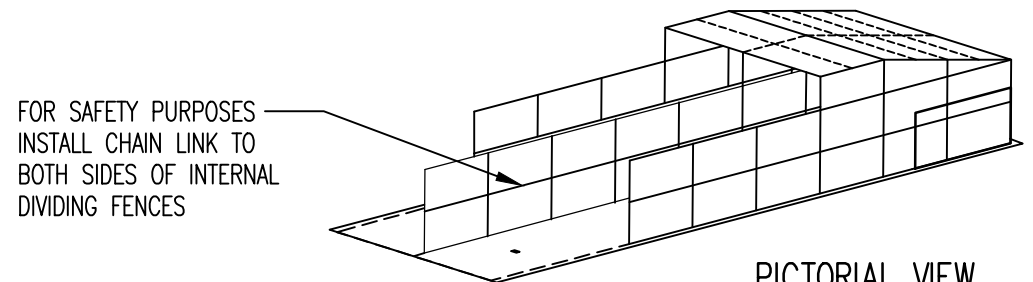
TYPE OF POST /RAIL STAY	POST LABEL	NOMINAL SIZE (DN) mm	QUALITY	OUTSIDE DIAMETER (OD) mm	MINIMUM WALL THICKNESS (t) mm	FOOTING LABEL	MINIMUM SIZE OF CONCRETE FOOTINGS	
							DIAMETER mm	DEPTH mm
END POSTS	P1	DN 80	MEDIUM	88.9	4.0	BP1	300	900
T-JUNCTION & CORNER POSTS	P2	DN 65	MEDIUM	76.1	3.6	BP1	300	900
INTERMEDIATE POSTS	P3	DN 40	MEDIUM	48.3	3.2	BP2	250	750
FENCE PIPE RAILS		DN 40 or DN 32	MEDIUM	48.3 or 42.4	3.2			
ROOF RAILS		DN 40 or DN 50	MEDIUM	48.3 or 60.3	3.2 or 3.6			



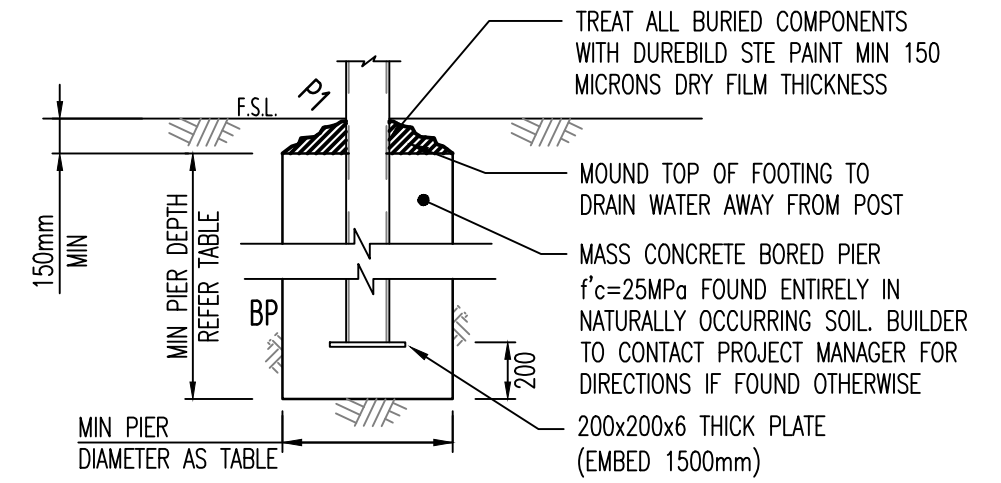
SINGLE PRACTICE WICKET  
PLAN VIEW

DOUBLE PRACTICE WICKET  
PLAN VIEW

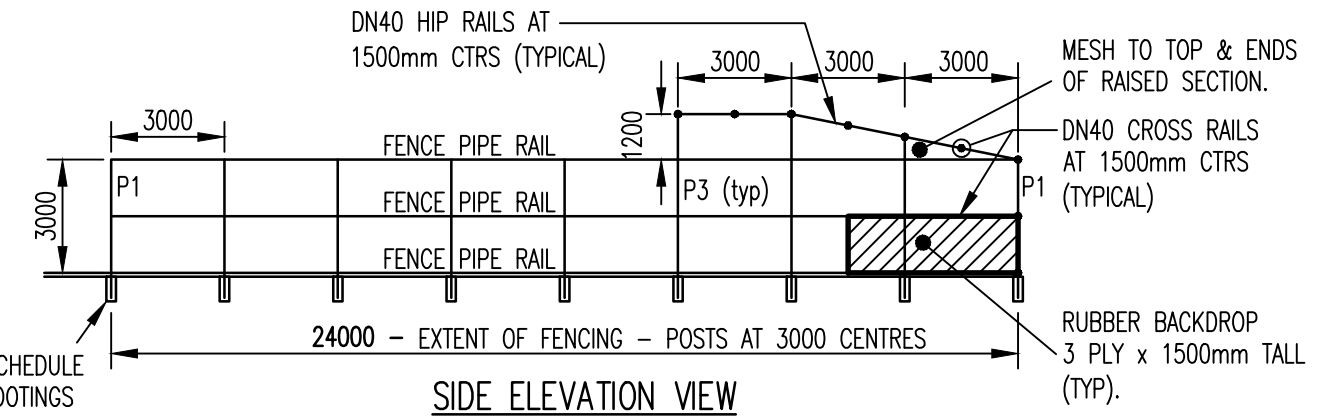
TRIPLE PRACTICE WICKET  
PLAN VIEW



PICTORIAL VIEW  
NOT TO SCALE



TYPICAL SECTION THROUGH BP FOOTING



SIDE ELEVATION VIEW

\* INDICATES SIGNATURES ON ORIGINAL ISSUE OF DRAWING.

DATUM: N/A	GRID: N/A	SURVEYOR: N/A	DESIGNED: TENCO ENGINEERS	CHECKED: * P. WILLIAMS 13/11/2018
SCALE: 1:200	SCALE IN METRES 0 2.0 4.0 6.0 8.0		DRAWN: TENCO ENGINEERS 10/2018	COORDINATOR DESIGN
DESIGN ARCHIVE:	DESIGN CHECKED: * C. TENNI 22/10/2018	DESIGNER	* L. NICHOLSON 13/11/2018	APPROVED: MANAGER INFRASTRUCTURE CAPITAL WORKS
DRAWING ARCHIVE:	STANDARDS/DOCUMENT CONTROL:	PROJECTS TECHNICAL SUPPORT OFFICER	* H. SINGH 13/11/2018	APPROVED: DIRECTOR ASSETS

SPORTING FACILITIES  
CRICKET PRACTICE WICKETS  
SINGLE, DOUBLE AND TRIPLE WICKET  
DETAIL

STANDARD SHEET 1 OF 2

**CITY OF WANNEROO**  
**TECHNICAL SERVICES**

**INFRASTRUCTURE SERVICES**

FILE No. - DRAWING No. TS 30-15-1 SHEET REVISION ORIGINAL DRG. SIZE A3