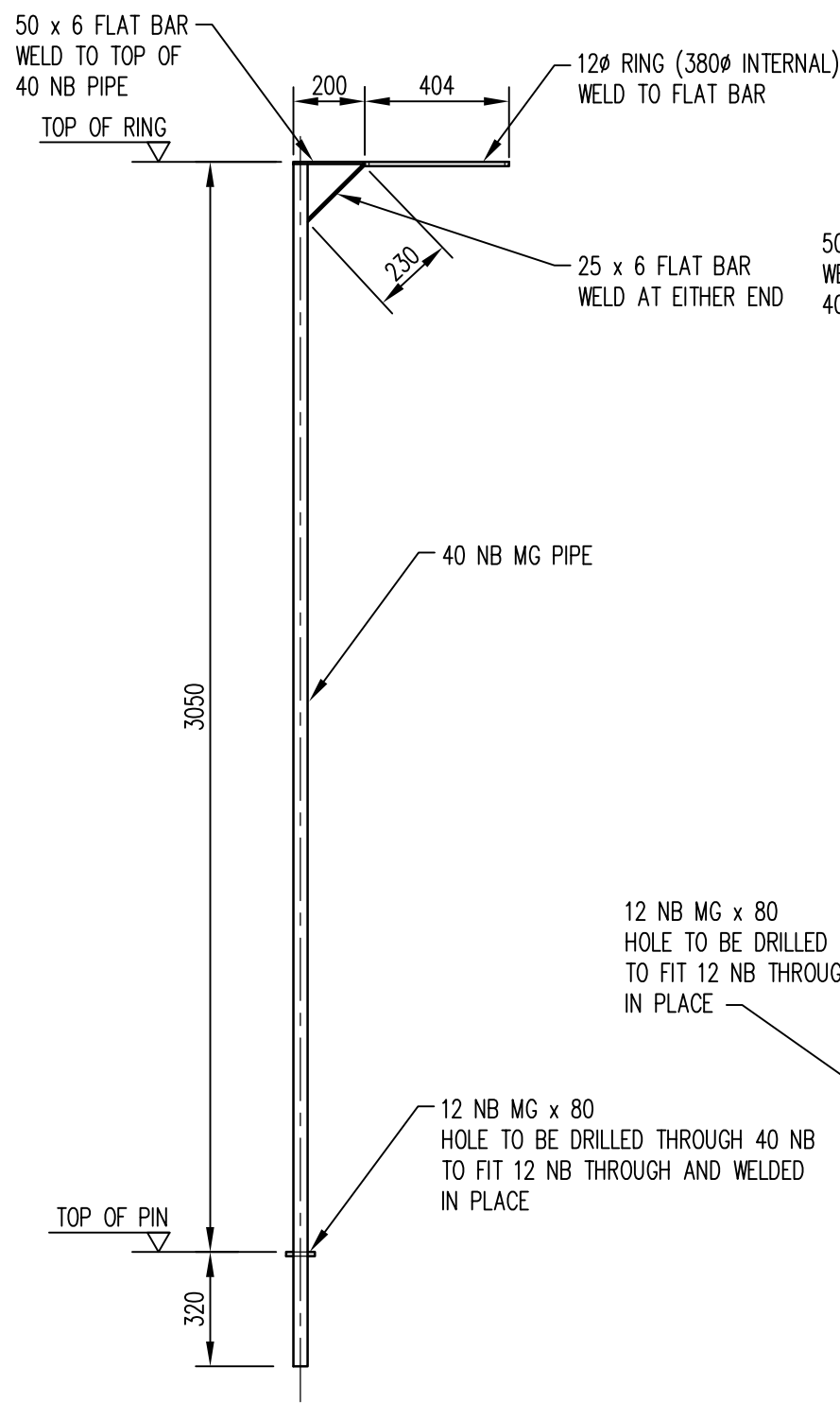
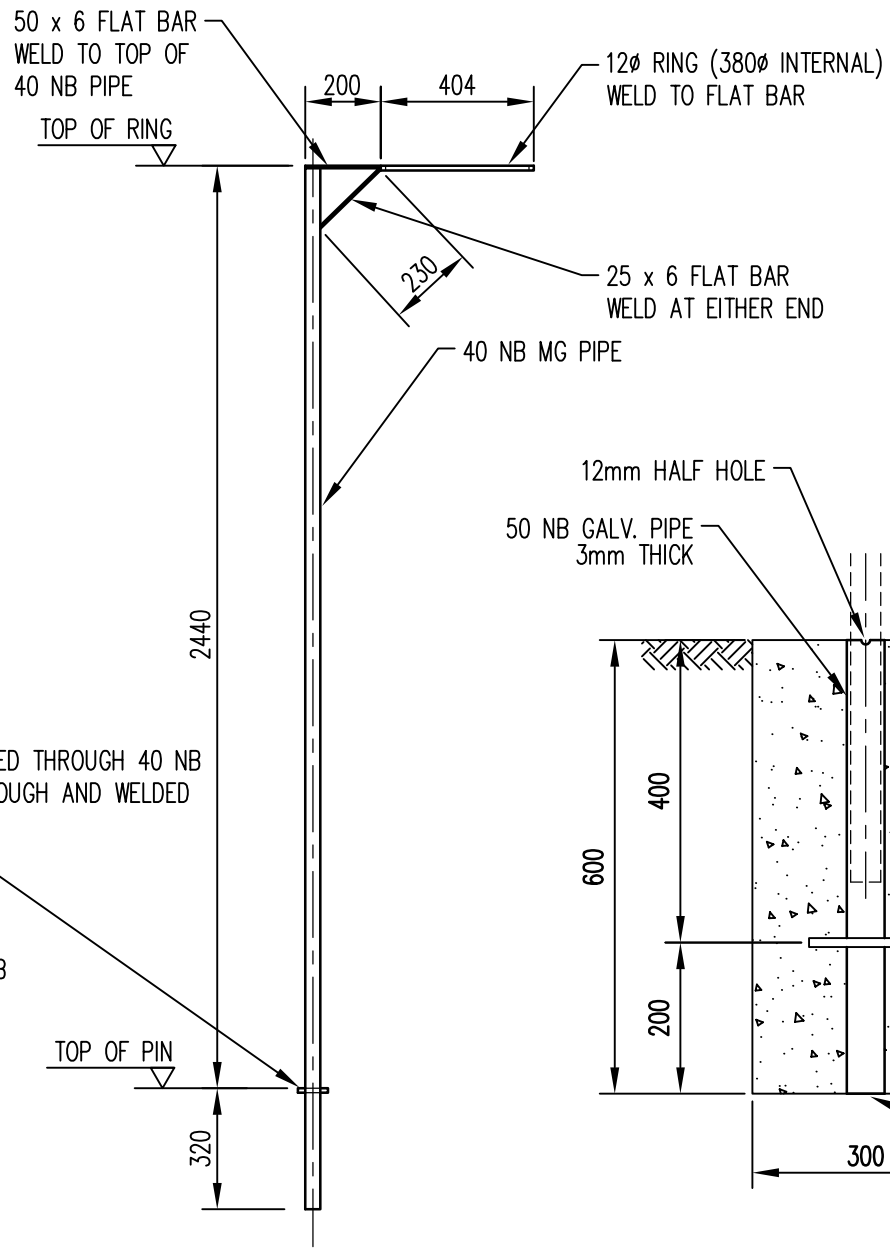


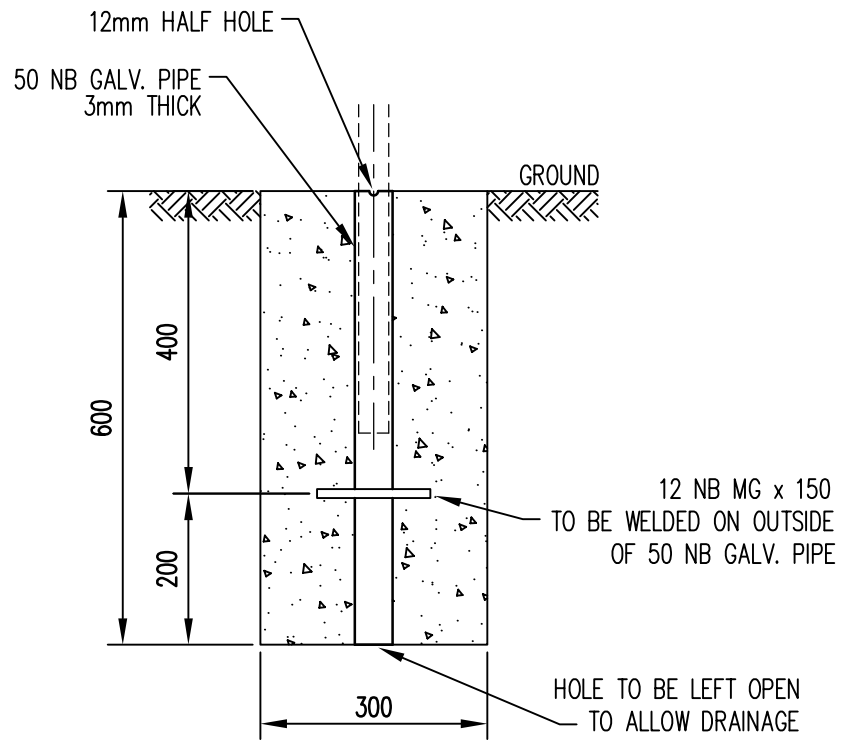
No	REVISION	BY	DATE	AUTH
0.	ISSUED	J.W.T	9/03	



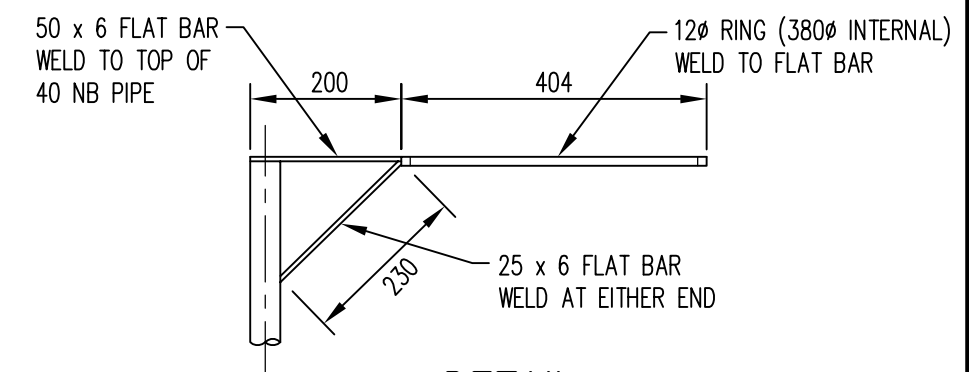
SENIOR GOAL POST
SIDE VIEW
SCALE: 1:20



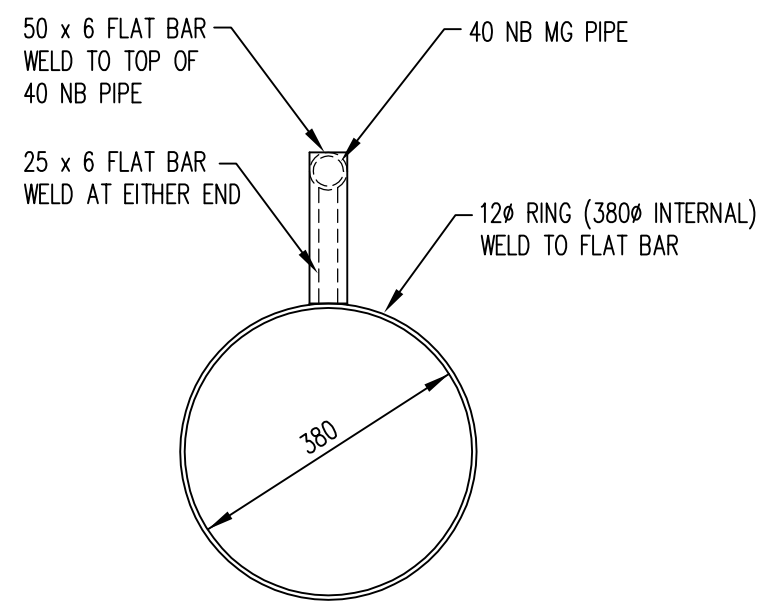
JUNIOR GOAL POST
SIDE VIEW
SCALE: 1:20



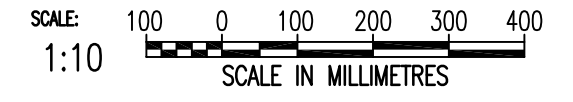
SPIGOT FOOTING DETAIL
SCALE: 1:10



DETAIL
SCALE: 1:10



TOP VIEW
SCALE: 1:10



* INDICATES SIGNATURES ON ORIGINAL ISSUE OF DRAWING.

DATUM: -	GRID: -	SURVEYOR: -	DESIGNED: C.O.W.	APPROVED: * J. SOBON 16/9/2003 COORDINATOR INFRASTRUCTURE PROJECTS
SCALE: 200 0 200 400 600 800 1:20 SCALE IN MILLIMETRES			DRAWN: C.O.W.	APPROVED: * R. KORENHOF 16/9/2003 MANAGER INFRASTRUCTURE
DESIGN ARCHIVE: V:\TECHNICAL SERVICES DESIGN ARCHIVE			DESIGN CHECKED: * B. CARTER 15/9/2003 COORDINATOR PARKS	APPROVED: * D. BLAIR 16/9/2003 DIRECTOR TECHNICAL SERVICES
DRAWING ARCHIVE: V:\TECHNICAL SERVICES DRAWING ARCHIVE			STANDARDS/DOCUMENT CONTROL: * J. TRIMMER 15/9/2003 PROJECTS TECHNICAL SUPPORT OFFICER	LOCALITY STANDARD

SPORTING FACILITIES
NETBALL GOAL POSTS
CONSTRUCTION DETAILS

CITY OF WANNEROO
TECHNICAL SERVICES

INFRASTRUCTURE SERVICES

FILE No.	DRAWING No	SHEET	REVISION	ORIGINAL DRG. SIZE
	TS 30 - 5 - 0			A3