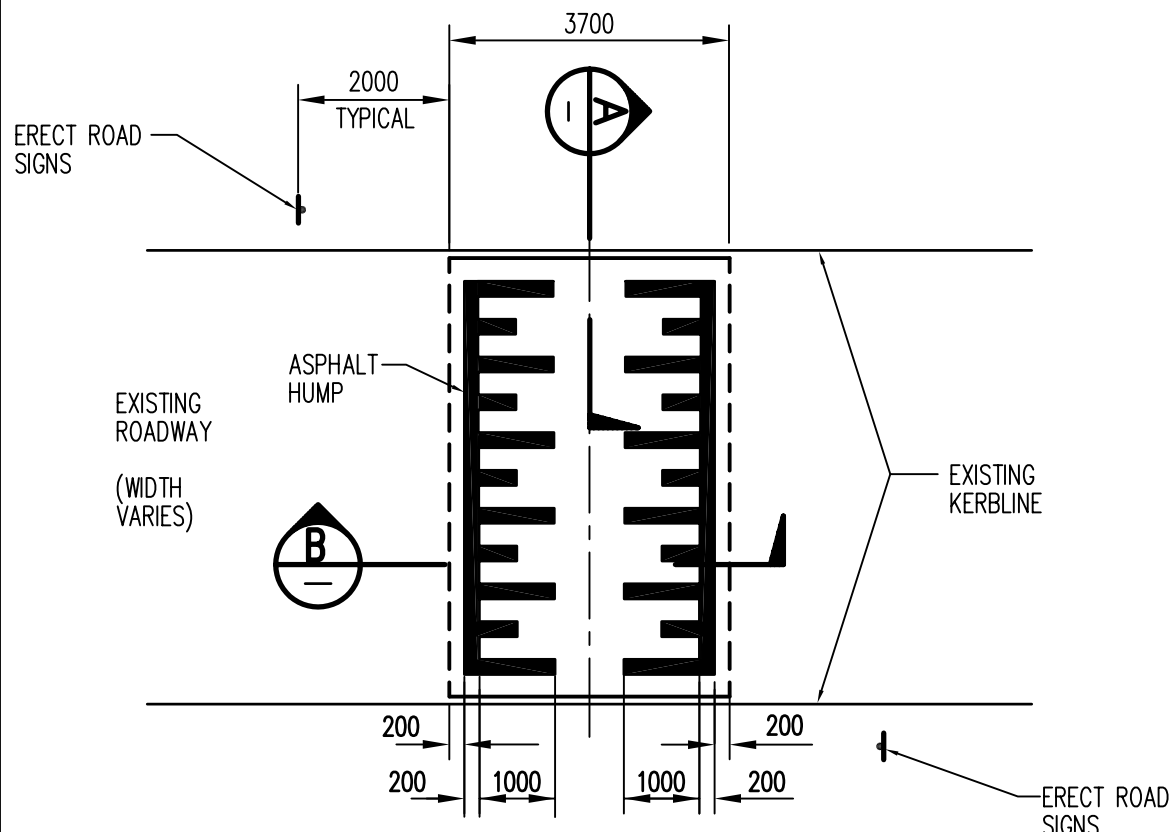
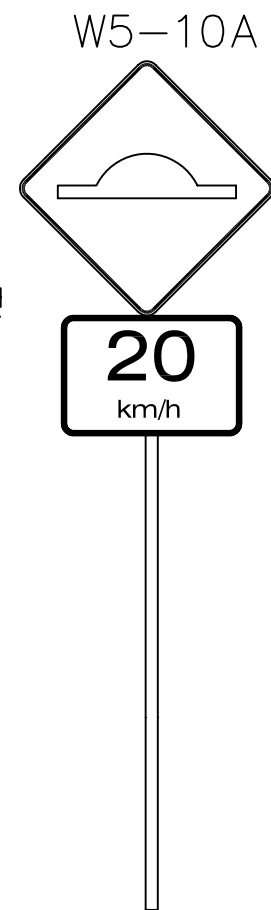


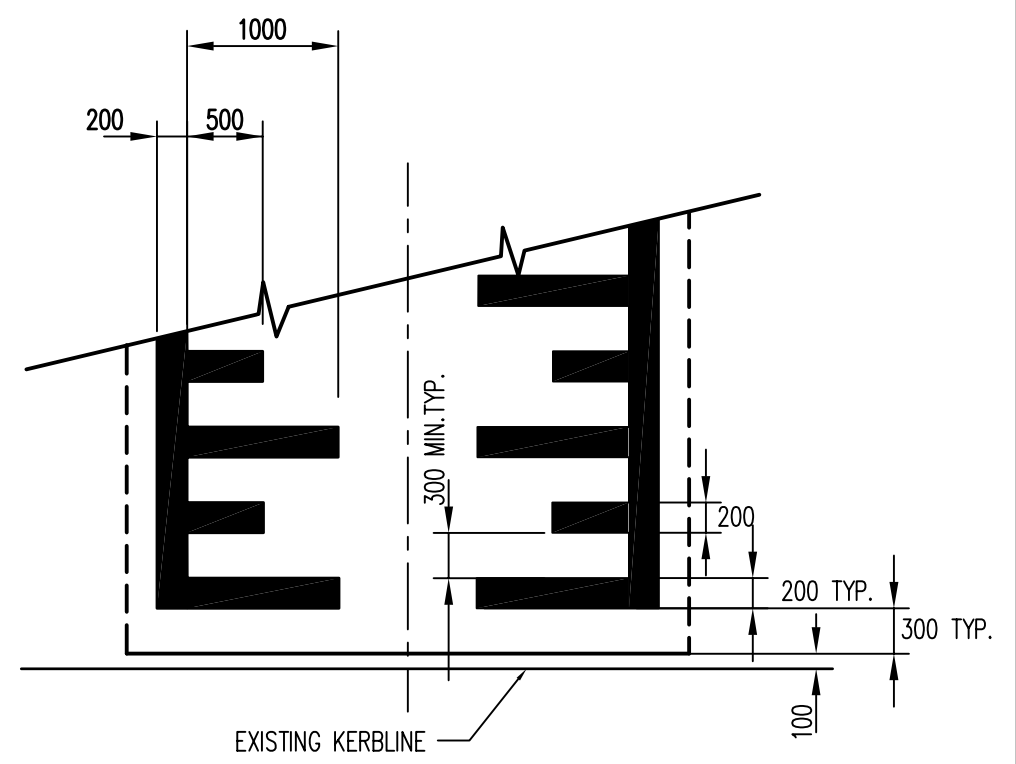
No	REVISION	BY	DATE	AUTH
0.	ISSUED	J.W.T.	8/2001	



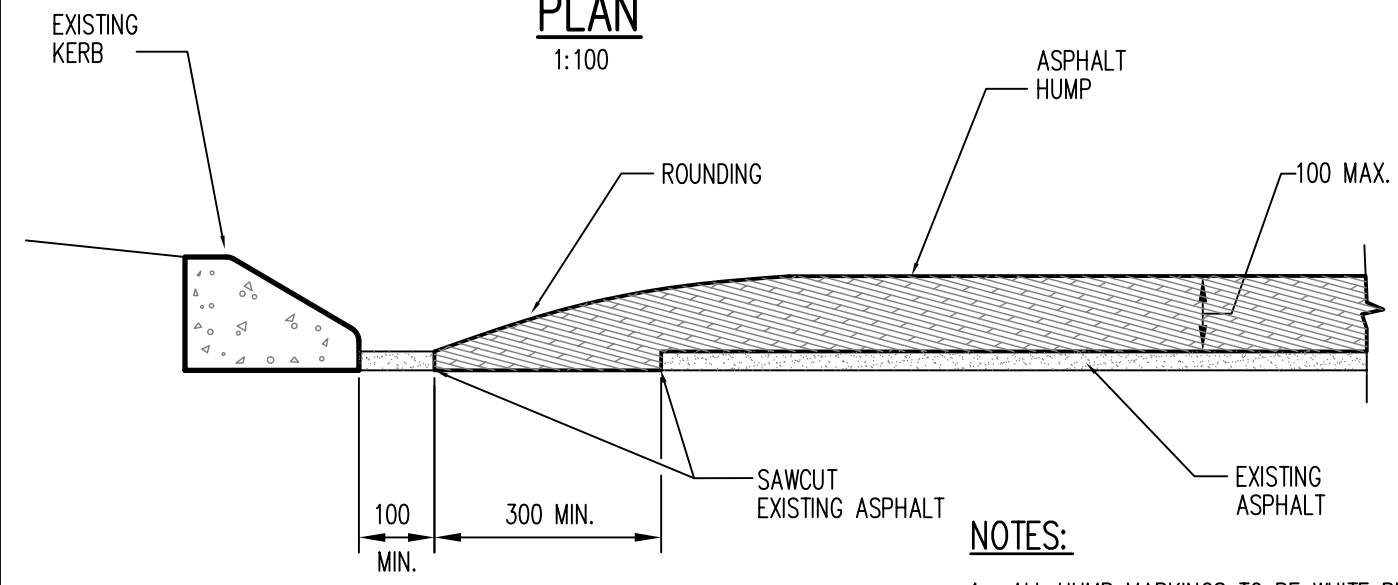
PLAN
1:100



ROAD SIGN DETAIL
1:25



DETAILS OF MARKINGS SETOUT
1:50

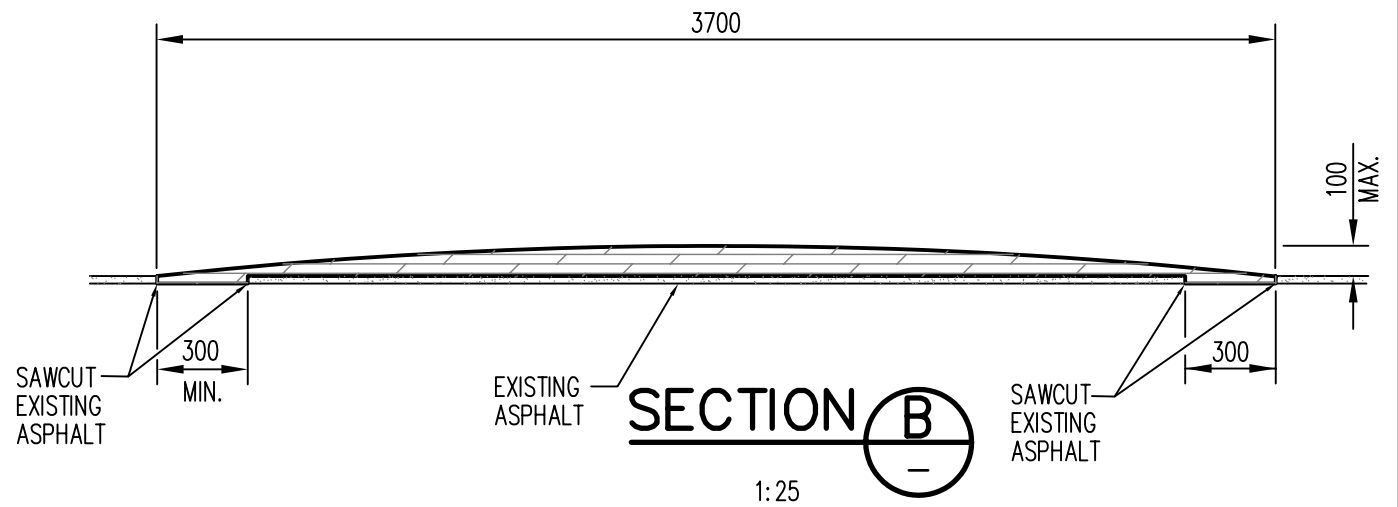


SECTION A
1:10

NOTES:

1. ALL HUMP MARKINGS TO BE WHITE RETRO - REFLECTIVE PRESSURE SENSITIVE TAPE.
2. ROAD SIGN TO BE IN ACCORDANCE WITH A.S.1742.

INDICATES SIGNATURES ON ORIGINAL ISSUE OF DRAWING.



SECTION B
1:25

DATUM: N/A	GRID: N/A	SURVEYOR: N/A	DESIGNED: C.O.W.	APPROVED: * T. QUINN 8/8/2001 COORDINATOR
SCALE: 1:200 SCALE IN METRES			DRAWN: C.O.W.	APPROVED: * R. KORENHOF 8/8/2001 MANAGER INFRASTRUCTURE
DESIGN ARCHIVE:			DESIGN CHECKED:	APPROVED: * D. BLAIR 8/8/2001 DIRECTOR TECHNICAL SERVICES
DRAWING ARCHIVE: *FINAL STANDARD DRAWINGS			STANDARDS/DOCUMENT CONTROL: * J. TRIMMER 8/8/2001 INFRASTRUCTURE TECHNICAL OFFICER	

TRAFFIC MANAGEMENT
ROAD HUMP
ASPHALT WATT'S PROFILE
CONSTRUCTION DETAILS

LOCALITY: STANDARD

CITY OF WANNEROO TECHNICAL SERVICES

INFRASTRUCTURE SERVICES

FILE No. DRAWING No SHEET REVISION ORIGINAL DRG. SIZE

TS 11 - 3 - 0 A3