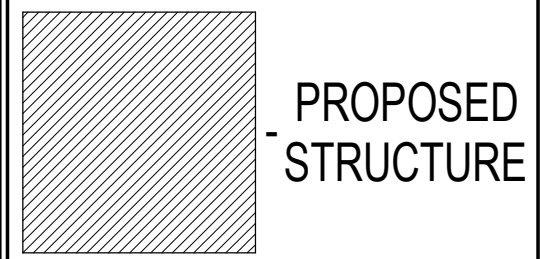


SITE PLAN
SCALE: 1 : 200



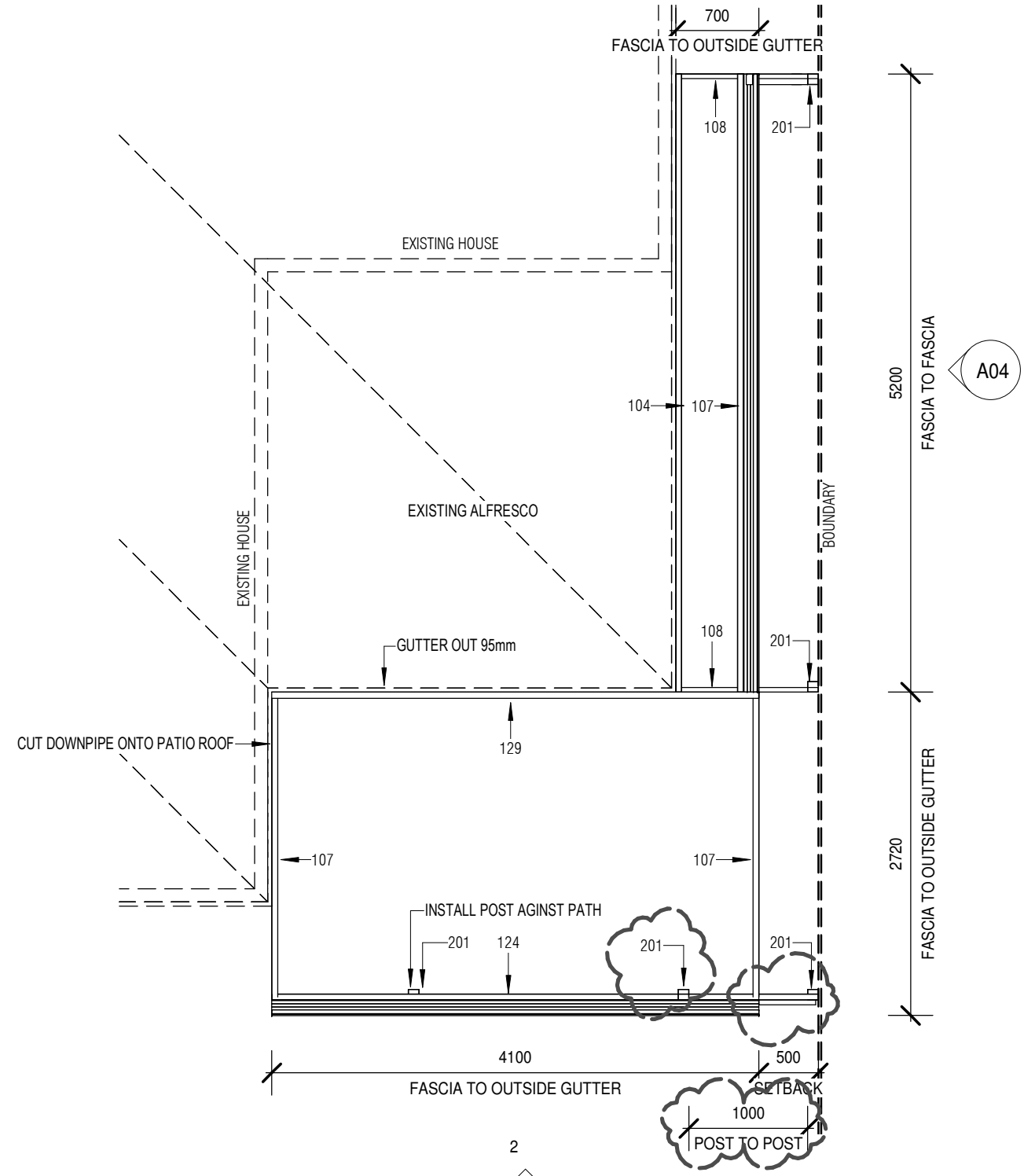
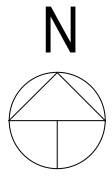
REVISION LIST

REV	DATE	DESCRIPTION	SHEET	NO.
A	18/5/20	ORIGNAL	SITE PLAN	A01
B	20/5/20	RE: POST & DOWNPIPE	FLOOR PLAN	A02
B	20/5/20	RE: POST & DOWNPIPE	ROOF PLAN	A03
B	20/5/20	RE: POST & DOWNPIPE	ELEVATIONS	A04
A	18/5/20	ORIGNAL	SCHEDULES	A05

APPROVAL

FULL NAME:		
SIGNATURE:		DATE:
FULL NAME:		
SIGNATURE:		DATE:

DRAWING TITLE: SITE PLAN		ADDRESS: 10 MOSCATO WAY, WOODVALE, WA, 6026		PRODUCTION: MICHAEL BRYANT		SCALE: 1 : 200		<p>NOTES:</p> <p>1. ALL DIMENSIONS ARE IN MM UNLESS OTHERWISE INDICATED.</p> <p>2. ALL DIMENSIONS SHOULD BE CHECKED ON SITE.</p> <p>3. STORMWATERS WILL BE CONTAIN ON SITE.</p>	DRAWING No.: A01	
OWNER: JANNINA JOY JONES & EDWARD IVOR JONES		PROJECT CODE: 30746		COUNCIL: CITY OF WANNEROO		DRAFTING: JACKSON BRENNAN				



FLOOR PLAN
SCALE: 1 : 50

KEYNOTE LEGEND

KEYNOTE	DESCRIPTION
104	100X50mm STEEL FASCIA PLATE
107	150X50mm STEEL EXTERNAL BEAM
108	76x38mm STEEL WELDED RAFTER
124	100X50mm STEEL EXTERNAL BEAM
129	U CHANNEL ON FASCIA
201	90x90mm STEEL POST
301	STEEL REVOLLO GUTTER
304	STEEL FLASHING
305	STEEL DOWNPIPE
307	ECODECK ROOF
401	EXISTING HOUSE
402	BOUNDARY

REVISION LIST

REV	DATE	DESCRIPTION	SHEET	NO.
A	18/5/20	ORIGNAL	SITE PLAN	A01
B	20/5/20	RE: POST & DOWNPIPE	FLOOR PLAN	A02
B	20/5/20	RE: POST & DOWNPIPE	ROOF PLAN	A03
B	20/5/20	RE: POST & DOWNPIPE	ELEVATIONS	A04
A	18/5/20	ORIGNAL	SCHEDULES	A05

APPROVAL

FULL NAME:		
SIGNATURE:		DATE:
FULL NAME:		
SIGNATURE:		DATE:

DRAWING TITLE:
FLOOR PLAN

OWNER: **JANNINA JOY JONES & EDWARD IVOR JONES**

PROJECT CODE:
30746

ADDRESS: **10 MOSCATO WAY, WOODVALE, WA, 6026**

COUNCIL:
CITY OF WANNEROO

PRODUCTION:
MICHAEL BRYANT

DRAFTING:
JACKSON BRENNAN

SCALE:
1 : 50

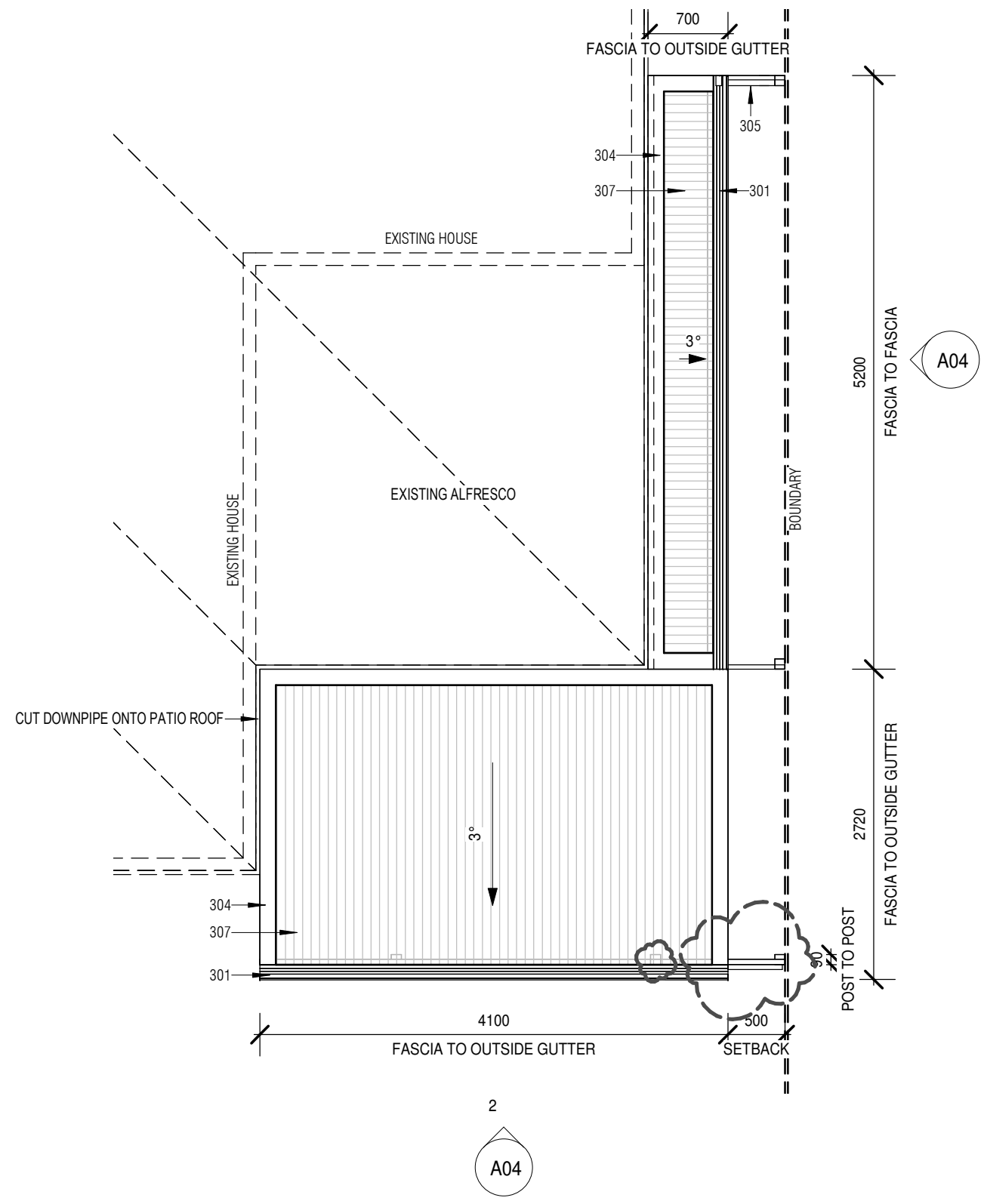
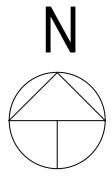
DATE:
21/5/2020

NOTES:

- ALL DIMENSIONS ARE IN MM UNLESS OTHERWISE INDICATED.
- ALL DIMENSIONS SHOULD BE CHECKED ON SITE.
- STORMWATERS WILL BE CONTAIN ON SITE.

DRAWING No.:
A02





ROOF PLAN
SCALE: 1 : 50

KEYNOTE LEGEND

KEYNOTE	DESCRIPTION
104	100X50mm STEEL FASCIA PLATE
107	150X50mm STEEL EXTERNAL BEAM
108	76x38mm STEEL WELDED RAFTER
124	100X50mm STEEL EXTERNAL BEAM
129	U CHANNEL ON FASCIA
201	90x90mm STEEL POST
301	STEEL REVOLVO GUTTER
304	STEEL FLASHING
305	STEEL DOWNPIPE
307	ECODECK ROOF
401	EXISTING HOUSE
402	BOUNDARY

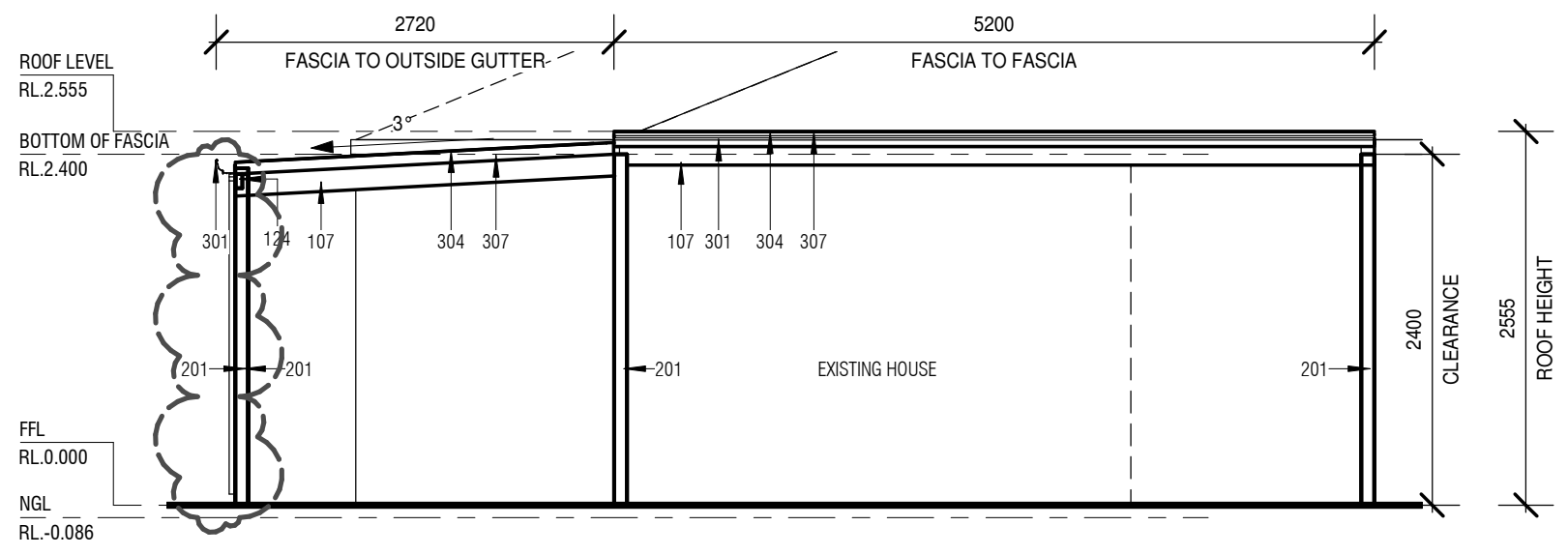
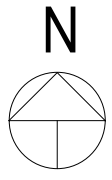
REVISION LIST

REV	DATE	DESCRIPTION	SHEET	NO.
A	18/5/20	ORIGNAL	SITE PLAN	A01
B	20/5/20	RE: POST & DOWNPIPE	FLOOR PLAN	A02
B	20/5/20	RE: POST & DOWNPIPE	ROOF PLAN	A03
B	20/5/20	RE: POST & DOWNPIPE	ELEVATIONS	A04
A	18/5/20	ORIGNAL	SCHEDULES	A05

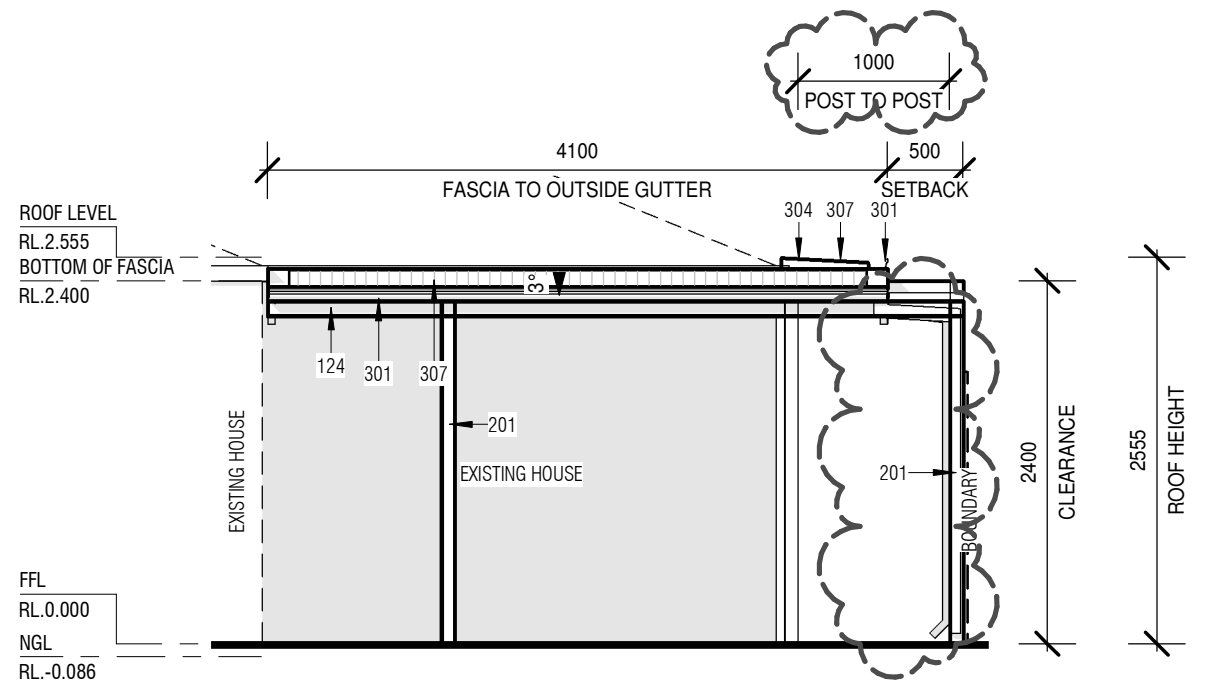
APPROVAL

FULL NAME:		
SIGNATURE:		DATE:
FULL NAME:		
SIGNATURE:		DATE:

DRAWING TITLE: ROOF PLAN	ADDRESS: 10 MOSCATO WAY, WOODVALE, WA, 6026	PRODUCTION: MICHAEL BRYANT	SCALE: 1 : 50	NOTES: 1. ALL DIMENSIONS ARE IN MM UNLESS OTHERWISE INDICATED. 2. ALL DIMENSIONS SHOULD BE CHECKED ON SITE. 3. STORMWATERS WILL BE CONTAIN ON SITE.	DRAWING No.: A03
OWNER: JANNINA JOY JONES & EDWARD IVOR JONES	PROJECT CODE: 30746	COUNCIL: CITY OF WANNEROO	DRAFTING: JACKSON BRENNAN	DATE: 21/5/2020	



1 ELEVATION
A02 SCALE: 1 : 50



2 ELEVATION
A02 SCALE: 1 : 50

KEYNOTE LEGEND

KEYNOTE	DESCRIPTION
104	100X50mm STEEL FASCIA PLATE
107	150X50mm STEEL EXTERNAL BEAM
108	76x38mm STEEL WELDED RAFTER
124	100X50mm STEEL EXTERNAL BEAM
129	U CHANNEL ON FASCIA
201	90x90mm STEEL POST
301	STEEL REVOLVO GUTTER
304	STEEL FLASHING
305	STEEL DOWNPIPE
307	ECODECK ROOF
401	EXISTING HOUSE
402	BOUNDARY

REVISION LIST

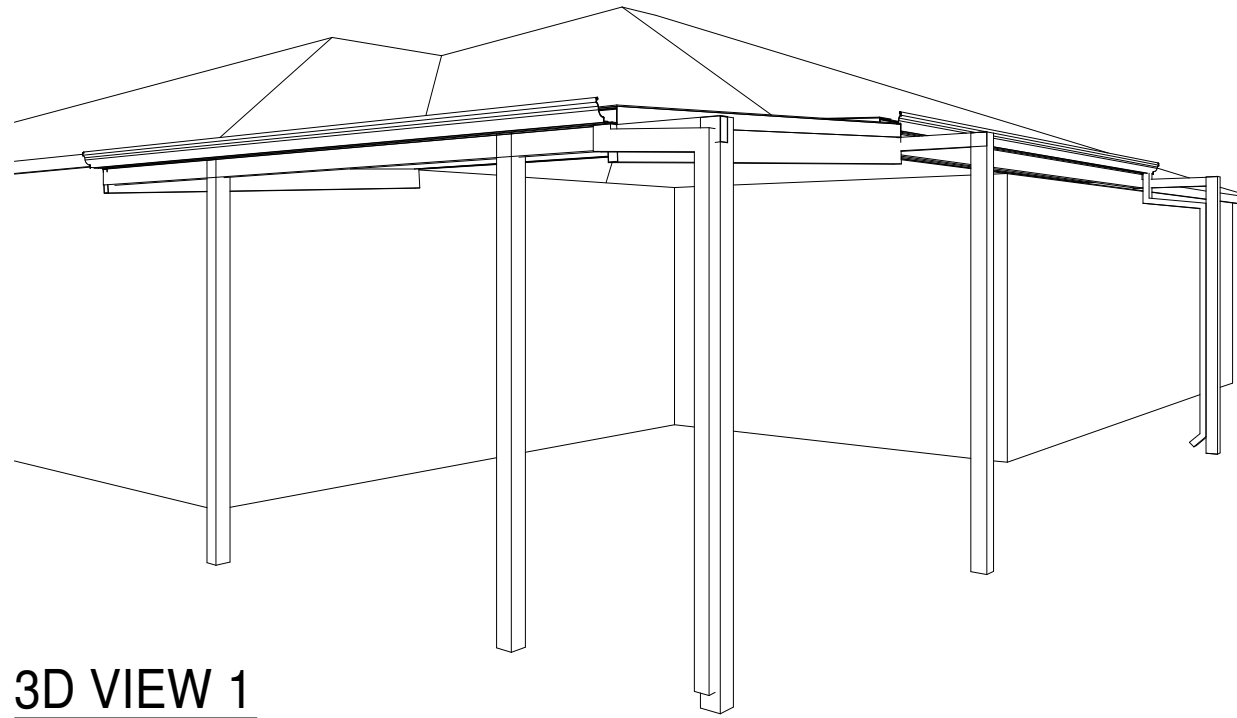
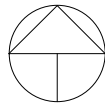
REV	DATE	DESCRIPTION	SHEET	NO.
A	18/5/20	ORIGNAL	SITE PLAN	A01
B	20/5/20	RE: POST & DOWNPIPE	FLOOR PLAN	A02
B	20/5/20	RE: POST & DOWNPIPE	ROOF PLAN	A03
B	20/5/20	RE: POST & DOWNPIPE	ELEVATIONS	A04
A	18/5/20	ORIGNAL	SCHEDULES	A05

APPROVAL

FULL NAME:	
SIGNATURE:	DATE:
FULL NAME:	
SIGNATURE:	DATE:

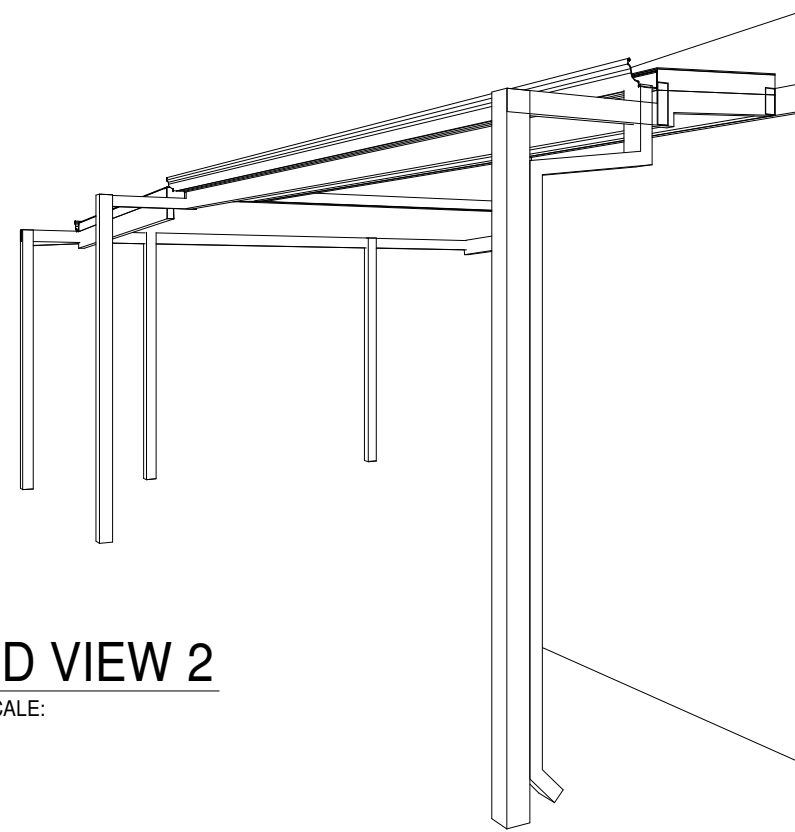
DRAWING TITLE: ELEVATIONS	ADDRESS: 10 MOSCATO WAY, WOODVALE, WA, 6026	PRODUCTION: MICHAEL BRYANT	SCALE: 1 : 50	NOTES: 1. ALL DIMENSIONS ARE IN MM UNLESS OTHERWISE INDICATED. 2. ALL DIMENSIONS SHOULD BE CHECKED ON SITE. 3. STORMWATERS WILL BE CONTAIN ON SITE.	DRAWING No.: A04
OWNER: JANNINA JOY JONES & EDWARD IVOR JONES	PROJECT CODE: 30746	COUNCIL: CITY OF WANNEROO	DRAFTING: JACKSON BRENNAN	DATE: 21/5/2020	

N



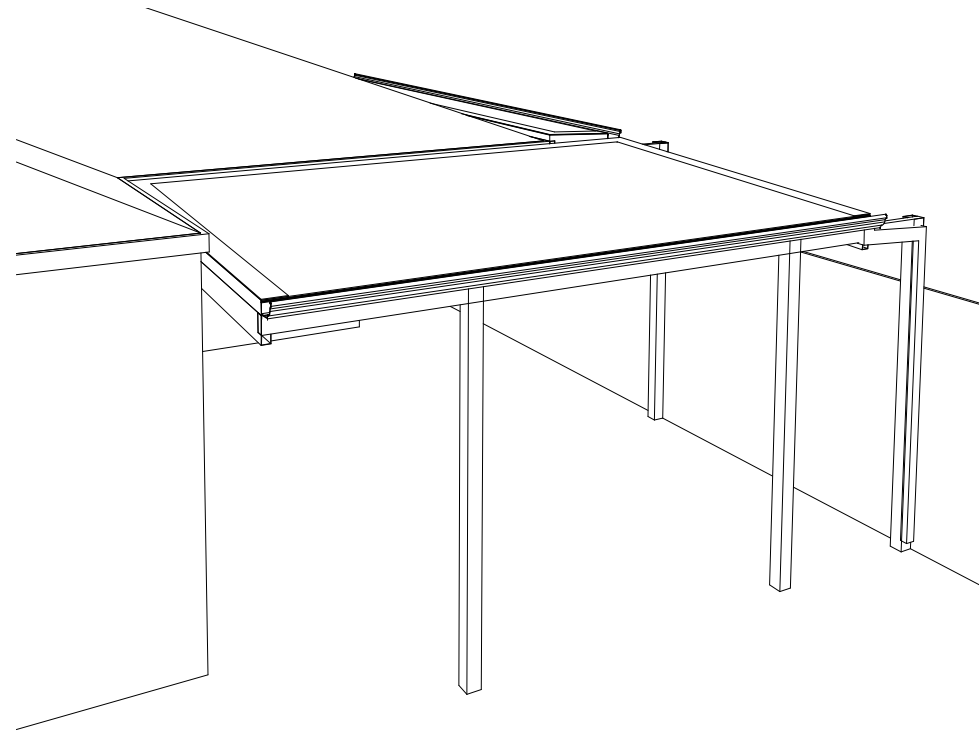
3D VIEW 1

SCALE:



3D VIEW 2

SCALE:



3D VIEW 3

SCALE:

APPROVAL

FULL NAME:		
SIGNATURE:		DATE:
FULL NAME:		
SIGNATURE:		DATE:

DRAWING TITLE: 3D EXAMPLE IMAGES		ADDRESS: 10 MOSCATO WAY, WOODVALE, WA, 6026	PRODUCTION: MICHAEL BRYANT	SCALE:	NOTES: 1. ALL DIMENSIONS ARE IN MM UNLESS OTHERWISE INDICATED. 2. ALL DIMENSIONS SHOULD BE CHECKED ON SITE. 3. STORMWATERS WILL BE CONTAIN ON SITE.	DRAWING No.:	
OWNER: JANNINA JOY JONES & EDWARD IVOR JONES	PROJECT CODE: 30746	COUNCIL: CITY OF WANNEROO	DRAFTING: JACKSON BRENNAN	DATE: 21/5/2020		A06	