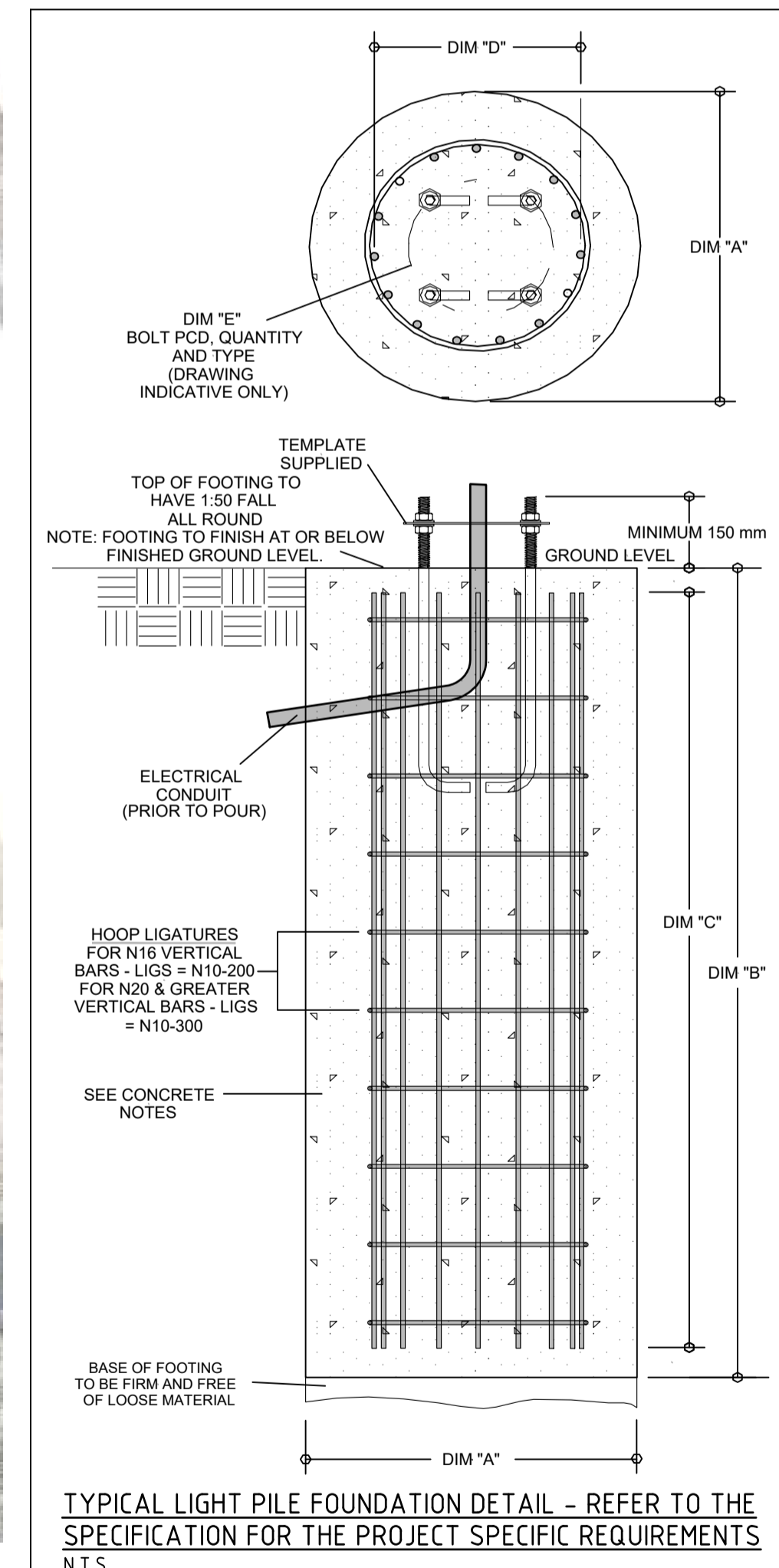
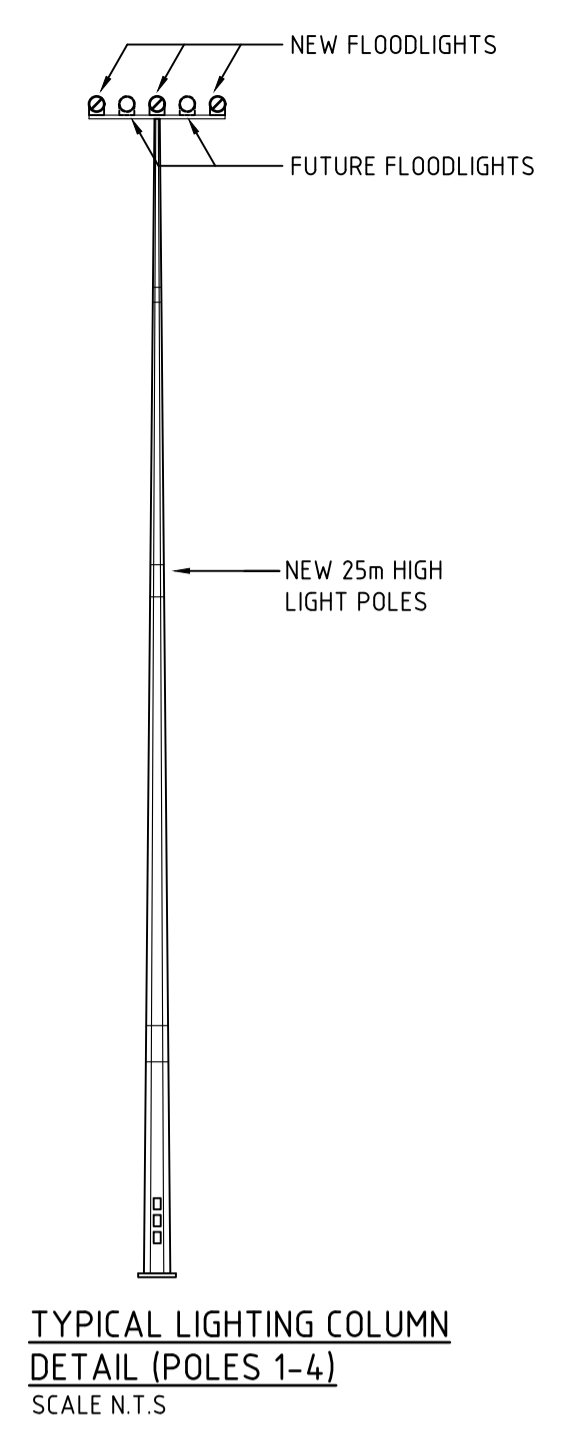


SITE PLAN - SPORTS LIGHTING LAYOUT  
SCALE 1:500 @ A1



NOTES

1. PROVIDE NEW CABLE PIT TO INTERCEPT THE EXISTING 4P63 CONDUITS INSTALLED AND CAPPED UNDERGROUND TO PERMIT CONDUIT EXTENSION AS INDICATED.
2. SAW CUT EXISTING PATHWAY TO PERMIT CONDUIT INSTALLATION AND MAKE GOOD TO MATCH EXISTING FINISH UPON COMPLETION.
3. PROPOSED CONDUITS TO TERMINATE INTO EXISTING CABLE PIT.

LEGEND

- WESTERN POWER POINT OF ATTACHMENT (PILLAR)
- UNDERGROUND POWER CONDUIT
- INDICATIVE ROUTE OF EXISTING UNDERGROUND POWER CONDUIT
- INDICATIVE ROUTE OF EXISTING UNDERGROUND COMMUNICATIONS CONDUIT
- SITE MAIN SWITCHBOARD
- DISTRIBUTION BOARD
- NEW LIGHTING TOWER & FIVE (5) PM1 FLOODLIGHTS IN TOTAL (TWO FUTURE) - REFER TO THE SPECIFICATION FOR DETAILS.
- EXISTING LIGHT POLE TO BE REMOVED
- AIMING 50Lux
- AIMING FUTURE 100Lux
- POWER PIT - ACO CABLE MATE TYPE 66H WITH STEEL POWER LOK LID
- EARTH PIT
- 80mm HD UNDERGROUND POWER CONDUIT x 1
- 63mm HD UNDERGROUND POWER CONDUIT x 1
- 50mm HD UNDERGROUND POWER CONDUIT x 1
- 100mm HD UNDERGROUND POWER CONDUIT x 1
- DENOTES EXISTING SERVICE TO BE REMOVED
- DENOTES EXISTING SERVICE TO BE REMOVED
- POWER METER
- WESTERN POWER MASTER METER
- CIRCUIT BREAKER
- ISOLATOR - LOAD SWITCHING
- THREE PHASE & NEUTRAL
- SINGLE PHASE & NEUTRAL
- TWO PHASE & EARTH
- COMBINED MCB/RCD
- NORMALLY OPEN CONTACT 32AMP RATING
- FUSE
- SURGE DIVERTER
- THREE PHASE RCD
- THERMOSTAT
- CONDENSATION HEATER
- 240VAC TIME DELAY DEVICE
- RELAY - 24VDC COIL 240V/5AMP CONTACT
- 32A 4- POLE CONTACTOR WITH 240V COIL
- 240V RELAY COIL WHERE 'n' DENOTES IDENTIFICATION
- EARTH ELECTRODE

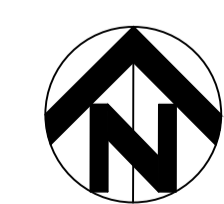
**FOCUS WA CONSULTING**  
PO BOX 138, LEEDERVILLE WA 6007  
Ph: 0408 721 167  
info@focuswa.com.au  
FOCUS PROJECT No. 1920-002

**CITY OF WANNEROO ASSETS**

**PALOMA PARK**  
SPORTS FLOODLIGHTING  
MARANGAROO  
ELECTRICAL SERVICES

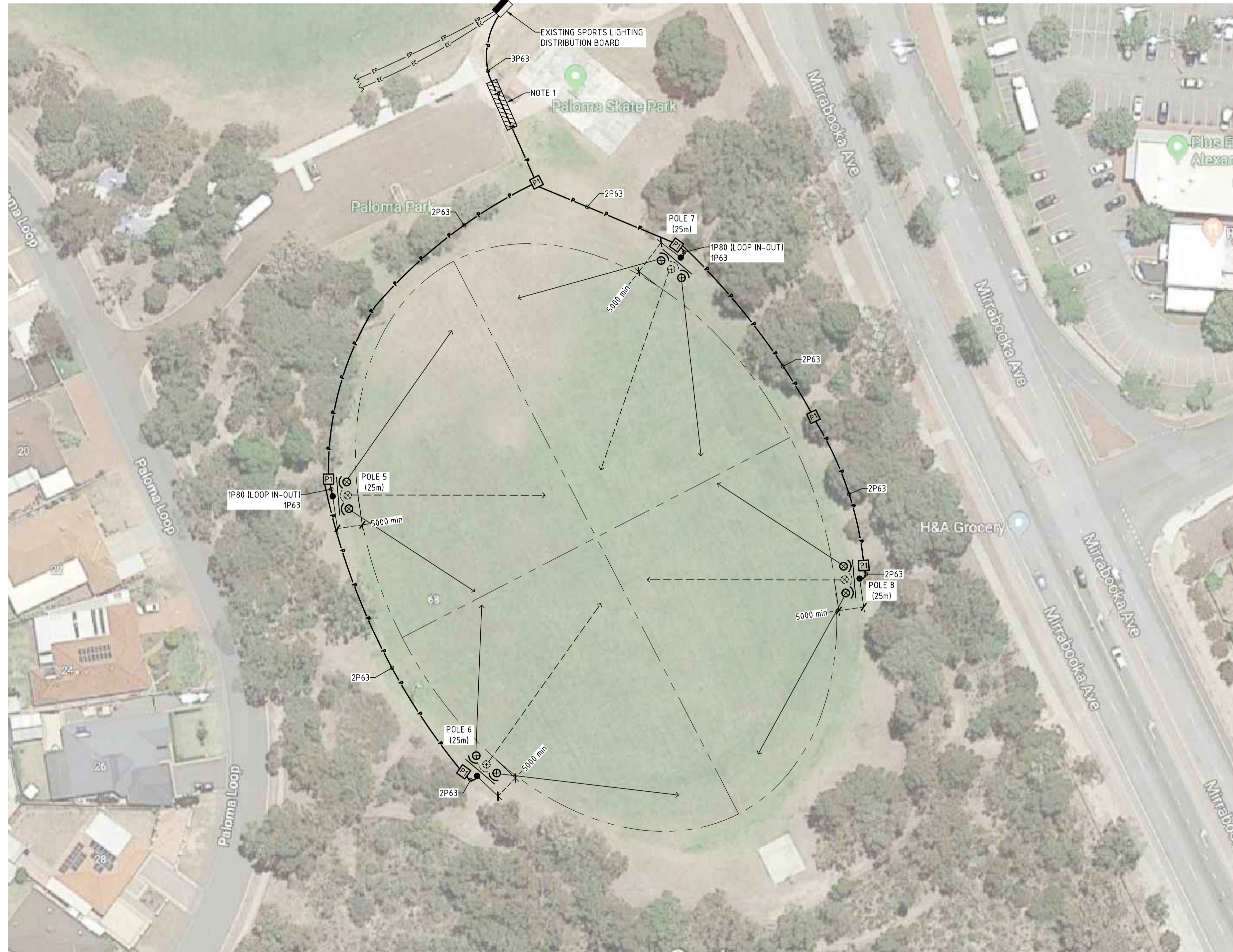
SITE PLAN AND LEGEND  
SHEET 1 OF 3

PRELIMINARY ISSUE  
REFER TO REVISION COLUMN

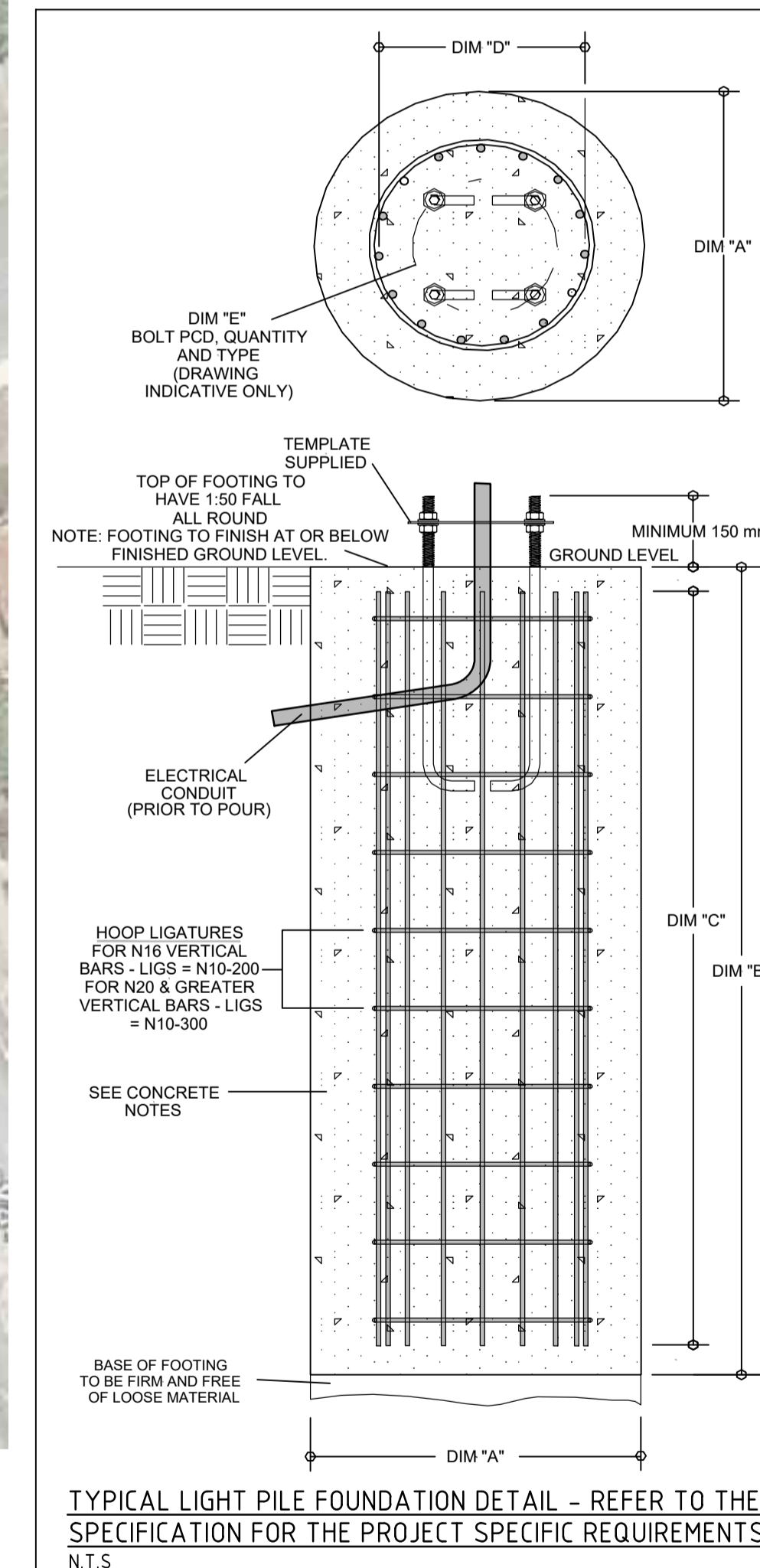
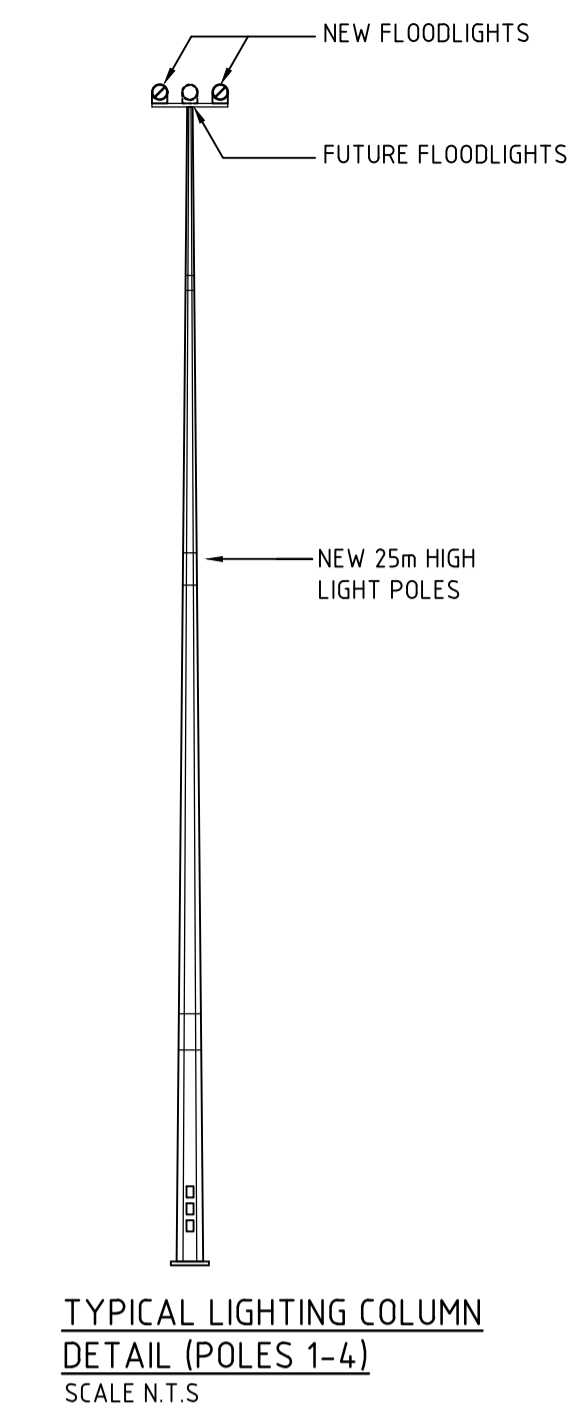


No.	REVISION	BY	DATE	AUTH	No.	REVISION	BY	DATE	AUTH	SCALE:	SURVEYED:	DRAWN:	AUTHORISED:	AUTHORISED:	DRAWING No.	SHEET	REVISION	ORIGINAL DRG. SIZE	
A	PRELIMINARY ISSUE - FOR COMMENT	PJ	15/08/18	PJ						1:500		LANDSCAPE DESIGNER	MANAGER INFRASTRUCTURE CAPITAL WORKS	MANAGER PARKS & CONSERVATION MANAGEMENT					19156-1-A
												LANDSCAPE DESIGNER	MANAGER INFRASTRUCTURE CAPITAL WORKS	MANAGER PARKS & CONSERVATION MANAGEMENT					A1





SITE PLAN - SPORTS LIGHTING LAYOUT  
SCALE 1:500 @ A1



NOTES

- DIRECTIONALLY DRILL UNDER PATHWAY TO ACCOMMODATE NEW CONDUITS.

LEGEND

- WESTERN POWER POINT OF ATTACHMENT (PILLAR)
- UNDERGROUND POWER CONDUIT
- INDICATIVE ROUTE OF EXISTING UNDERGROUND POWER CONDUIT
- INDICATIVE ROUTE OF EXISTING UNDERGROUND COMMUNICATIONS CONDUIT
- SITE MAIN SWITCHBOARD
- DISTRIBUTION BOARD
- NEW LIGHTING TOWER & FIVE (5) PM1 FLOODLIGHTS IN TOTAL (TWO FUTURE) - REFER TO THE SPECIFICATION FOR DETAILS.
- EXISTING LIGHT POLE TO BE REMOVED
- AIMING 50Lux
- AIMING FUTURE 100Lux
- POWER PIT - ACO CABLE MATE TYPE 66H WITH STEEL POWER LOK LID
- EARTH PIT
- 1P80 80mm HD UNDERGROUND POWER CONDUIT x 1
- 1P63 63mm HD UNDERGROUND POWER CONDUIT x 1
- 2P63 63mm HD UNDERGROUND POWER CONDUIT x 2
- 1P50 50mm HD UNDERGROUND POWER CONDUIT x 1
- 1P100 100mm HD UNDERGROUND POWER CONDUIT x 1
- DENOTES EXISTING SERVICE TO BE REMOVED
- DENOTES EXISTING SERVICE TO BE REMOVED
- POWER METER
- WESTERN POWER MASTER METER
- CIRCUIT BREAKER
- ISOLATOR - LOAD SWITCHING
- THREE PHASE & NEUTRAL
- SINGLE PHASE & NEUTRAL
- TWO PHASE & EARTH
- COMBINED MCB/RCD
- NORMALLY OPEN CONTACT 32AMP RATING
- FUSE
- SURGE DIVERTER
- THREE PHASE RCD
- THERMOSTAT
- CONDENSATION HEATER
- 240VAC TIME DELAY DEVICE
- RELAY - 24VDC COIL 240V/5AMP CONTACT
- 32A 4-POLE CONTACTOR WITH 240V COIL
- 240V RELAY COIL WHERE 'n' DENOTES IDENTIFICATION
- EARTH ELECTRODE

PRELIMINARY ISSUE  
REFER TO REVISION COLUMN



FOCUS CONSULTING WA  
PO BOX 138, LEEDERVILLE WA 6007  
Ph: 0408 721 167  
info@focuswa.com.au  
FOCUS PROJECT No. 1920-002

**CITY OF WANNEROO**  
ASSETS

**PALOMA PARK**  
SPORTS FLOODLIGHTING  
MARANGAROO  
ELECTRICAL SERVICES

SOUTH OVAL SITE PLAN AND LEGEND  
SHEET 1 OF 1

DRAWING No. SHEET REVISION ORIGINAL DRG. SIZE  
**19156-4-A** A1

No.	REVISION	BY	DATE	AUTH	No.	REVISION	BY	DATE	AUTH
A	PRELIMINARY ISSUE - FOR COMMENT	PJ	23/08/18	PJ					

SCALE: 1:500	SCALE IN METRES
DATUM: XXX	GRD: XXX

SURVEYED:	DRAWN:
SURVEYOR:	LANDSCAPE DESIGNER
DESIGNED:	MANAGER INFRASTRUCTURE CAPITAL WORKS
LANDSCAPE DESIGNER	COORDINATOR DESIGN

AUTHORISED:	AUTHORISED:
MANAGER COMMUNITY FACILITIES	MANAGER PARKS & CONSERVATION MANAGEMENT
AUTHORISED:	FILE No.
MANAGER INFRASTRUCTURE CAPITAL WORKS	
APPROVED:	PROJECT No.
DIRECTOR ASSETS	PR - XXXX