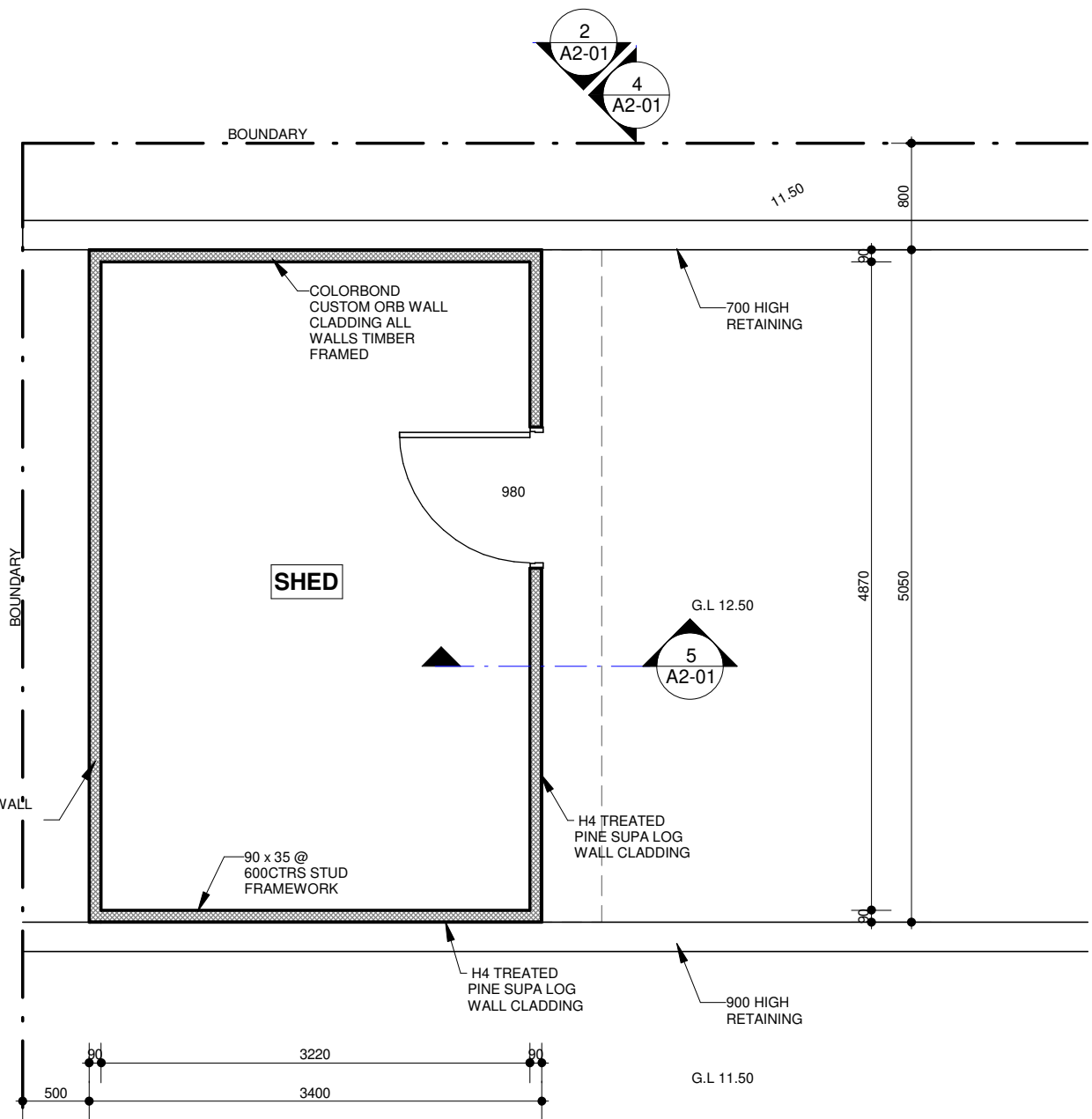


1 00 Site
1 : 200

TRIESTE COURT



3 A2-01
1 A2-01

2 01 GROUND FLOOR
1 : 50

REVISION BOX		
REVISION DATE	REV No.	COMMENTS

Client:

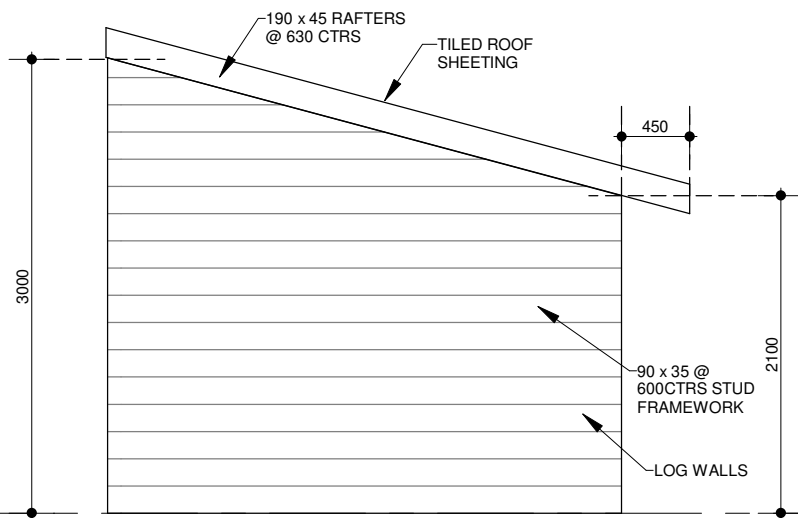
Project Name: **EXISTING SHED**
Address: **15 Trieste Court, Mindarie**



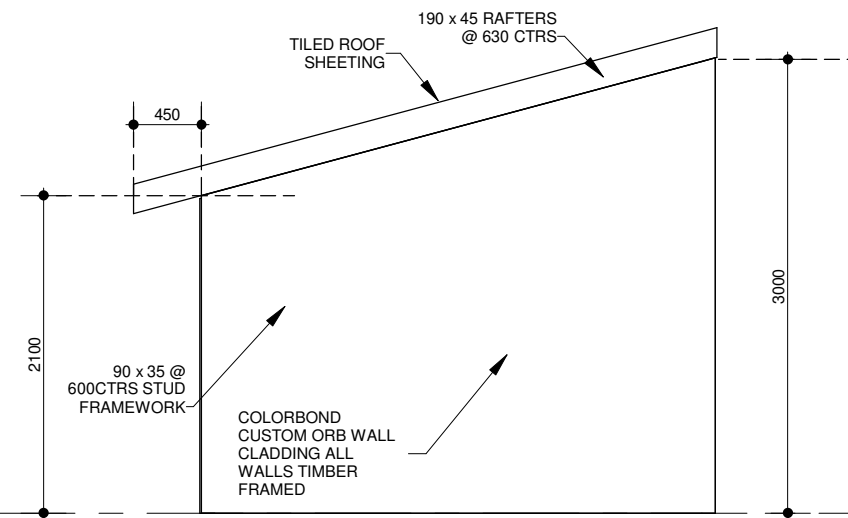
Drawing Title: **SITE PLAN / FLOOR PLAN**

Issue Date:	Designed : DH	Scale: As indicated	Project no:
Sheet issue Date : 9/12/2020 9:13:30 AM	Drawn by: DH	Check: Checker	DWG Sheet No: A1-01
		Issue/Rev	

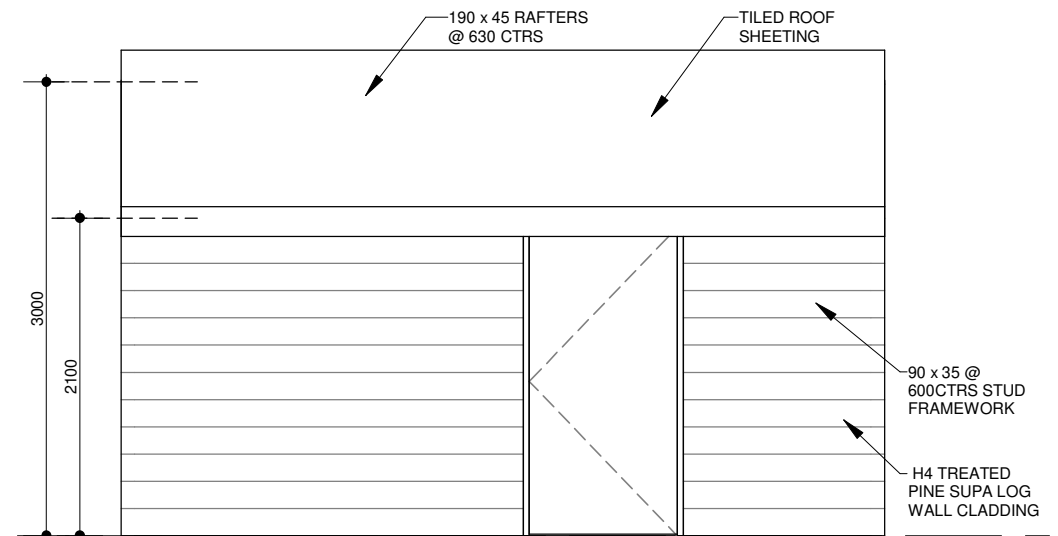
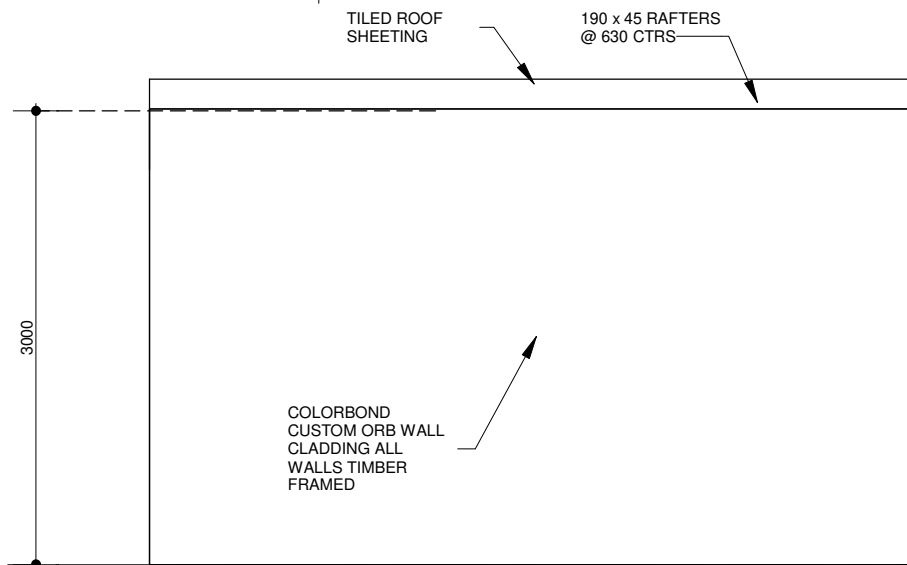
BUILDER MUST CHECK ALL DIMENSIONS ON THE SITE BEFORE COMMENCING ANY WORK



1 ELEVATION 1
1 : 50

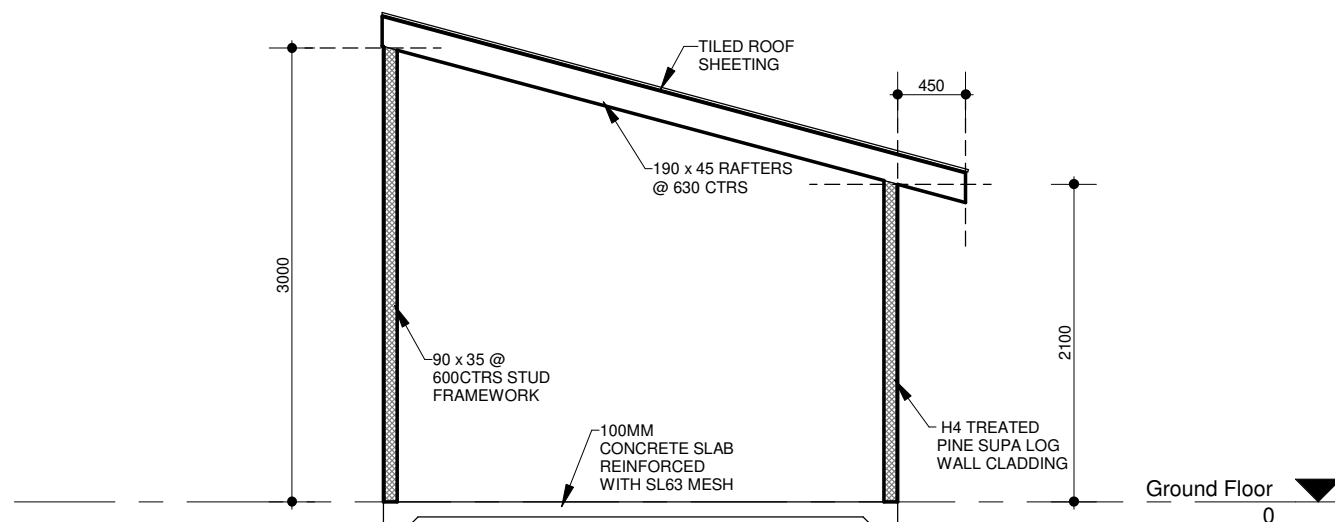


2 ELEVATION 2
1 : 50



3 ELEVATION 3
1 : 50

4 ELEVATION 4
1 : 50



5 SECTION 1
1 : 50

REVISION BOX				
REVISION DATE	REV No.	COMMENTS		
Client:				
Project Name: EXISTING SHED				
Address: 15 Trieste Court, Mindarie				
Drawing Title:		ELEVATIONS/SECTION		
Issue Date:	Designed :	Scale:	Project no:	
	DH	1 : 50		
Sheet issue Date :	Drawn by:	Check:	DWG Sheet No:	Issue/Rev
9/12/2020 9:13:30 AM	DH	Checker	A2-01	
BUILDER MUST CHECK ALL DIMENSIONS ON THE SITE BEFORE COMMENCING ANY WORK				