

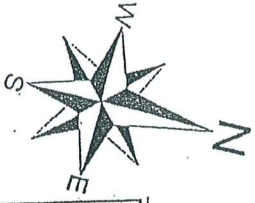
SOIL DESCRIPTION

Sand trace Gravel (LStone)/
LStone Refusal
Light Grass Cover

Outdoor World Wangara Site Plan Details	
Scale	1-200
FFL	-1c 10.75
Eave Height	2.2
Ridge Height	3.412
Colour - Roof	SURFMIST
Colour - Walls	NIL

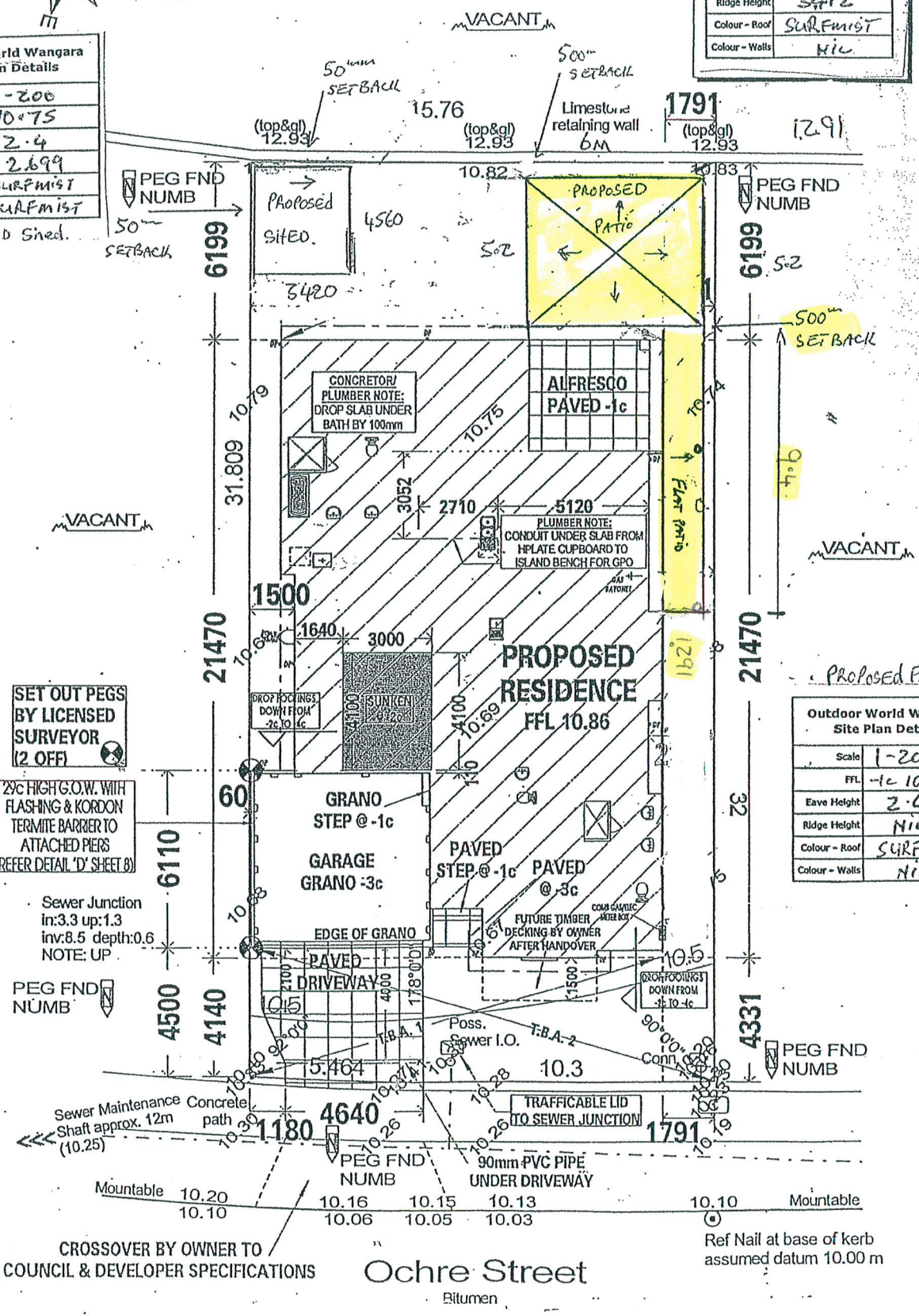
No.	2/1RM 3/1RM 4/1RM 7/1RM
DATE:	OCT
DRN:	EG
SHT No.	1A
J/N:	

Outdoor World Wangara Site Plan Details	
Scale	1-200
FFL	10.75
Eave Height	2.4
Ridge Height	2.699
Colour - Roof	SURFMIST
Colour - Walls	SURFMIST



NOTE: COTTAGE & ENGINEERING SURVEYS ACCEPT NO RESPONSIBILITY FOR ANY PHYSICAL ON SITE CHANGES TO THE PARCEL OR PORTION OF THE PARCEL OF LAND SHOWN ON THIS SURVEY INCLUDING ANY ADJOINING NEIGHBOURS LEVELS AND FEATURES THAT HAVE OCCURRED AFTER THE DATE ON THIS SURVEY

NOTE: ALL FEATURES SHOWN ON SURVEY ARE POSITIONED FROM EXISTING PEGS/FENCES & WALLS WHICH MAY NOT BE ON THE CORRECT ALIGNMENT.

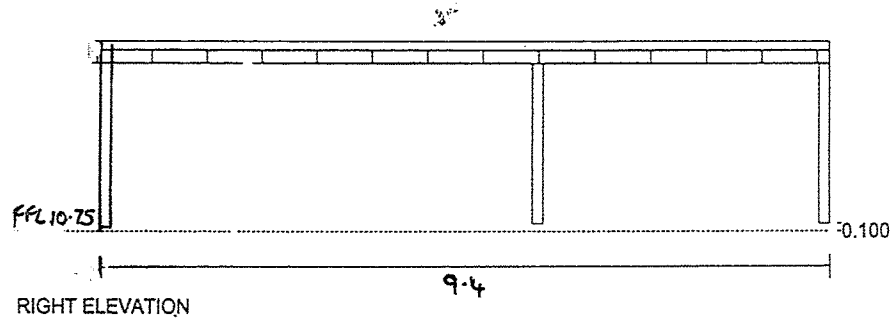
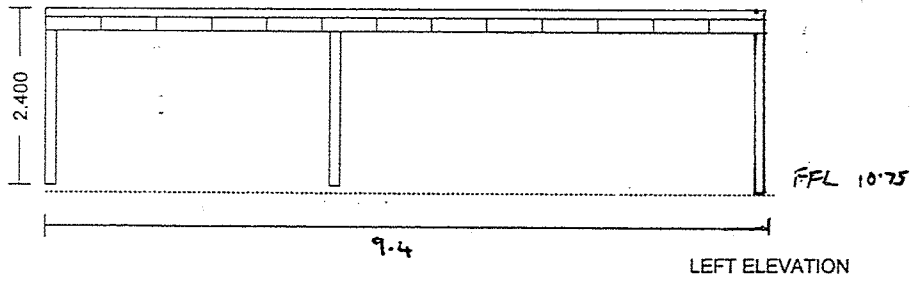
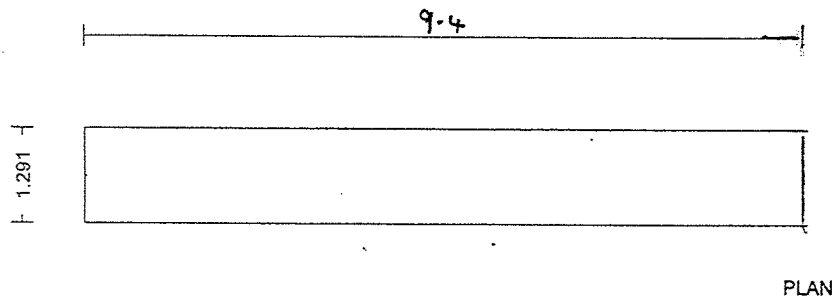
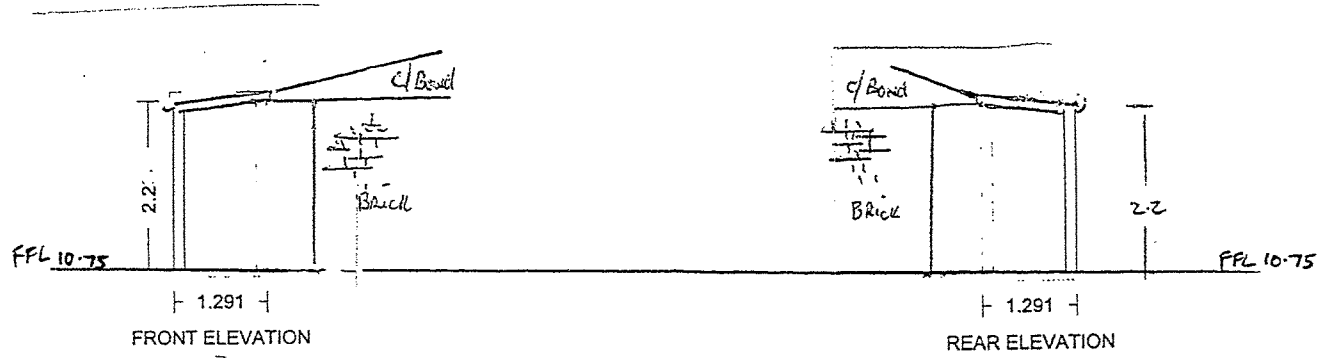


Outdoor World Wangara Site Plan Details	
Scale	1-200
FFL	-1c 10.75
Eave Height	2.4
Ridge Height	NIL
Colour - Roof	SURFMIST
Colour - Walls	NIL

Scale 1:200

Scale 1:200 Date: 02 Oct 12

NOTE: All Sewer details plotted from information supplied by Water Corporation.



Colorbond patio

Right click preview to change

PROPOSED (Patio)	A1 27 OCHRE STREET EGLINTON	
For	M + V TRIEWELL	
Wall Colour - Off White	Roof colour - Off White	
Barge Colour - Off White		
Job No PH072 P	Quote No	Scale 1:100
All Work To Be In Accordance With Accompanying Engineers Details		

REAR ELEVATION