


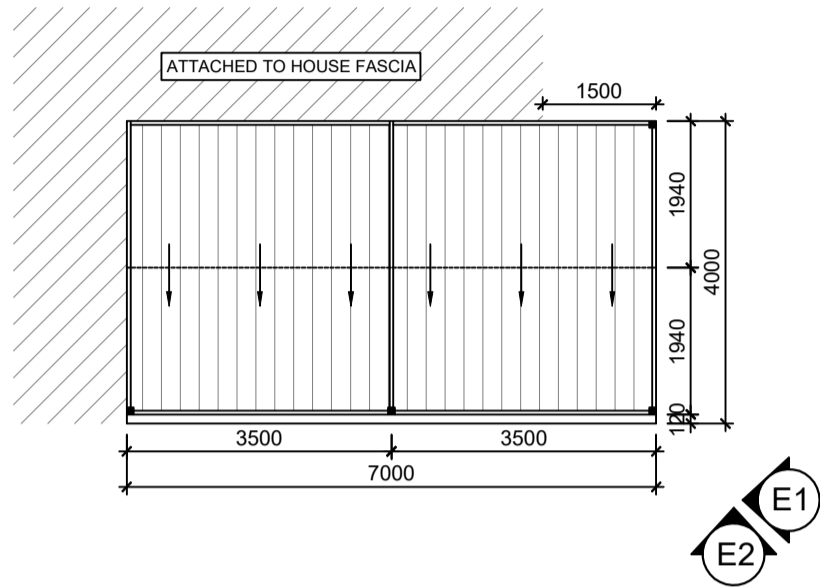
SITE PLAN
SCALE 1 : 200

©COPYRIGHT

	CLIENT: JB PATIOS & FABRICATION	PROJECT NAME: PATIO ADDITION	JOB NO: 3237
	ADDRESS: 45 MORGAN WAY GIRRAWHEEN		SCALE: AS NOTED
		DWG TITLE: SITE PLAN.	DRAWN: GP
			REVISION: A

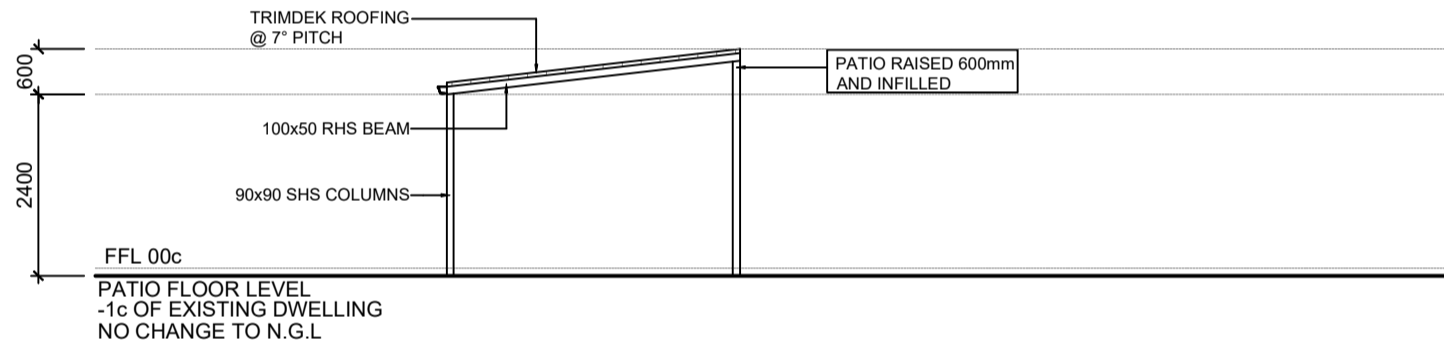
NOTE! DO NOT SCALE THIS DRAWING. IT IS THE BUILDER'S EXPRESS RESPONSIBILITY TO CHECK ALL SITE DIMENSIONS PRIOR TO FABRICATION OR COMMENCEMENT OF ANY WORK. ANY FORM OF REPRODUCTION OF THIS DRAWING IN FULL OR IN PART WITHOUT WRITTEN PERMISSION OF THE ARCHITECT CONSTITUTES AN INFRINGEMENT OF COPYRIGHT.

NOTE! ALL CONSTRUCTION TO BE IN ACCORDANCE WITH ALL ENGINEERS DETAILS. ALL RELEVANT AUSTRALIAN STANDARDS & THE BUILDING CODE OF AUSTRALIA



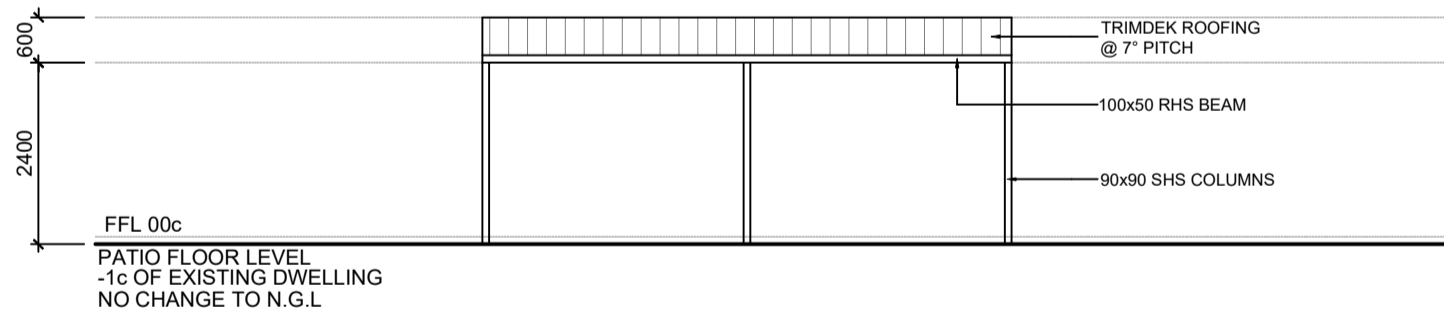
PROPOSED PATIO PLAN

SCALE 1 : 100



ELEVATION 1

SCALE 1 : 100



ELEVATION 2

SCALE 1 : 100

©COPYRIGHT



CLIENT:
JB PATIOS & FABRICATION

ADDRESS:
45 MORGAN WAY
GIRRAWHEEN

PROJECT NAME:
PATIO ADDITION

DWG TITLE:
FLOOR PLAN AND ELEV.

JOB NO:
3237

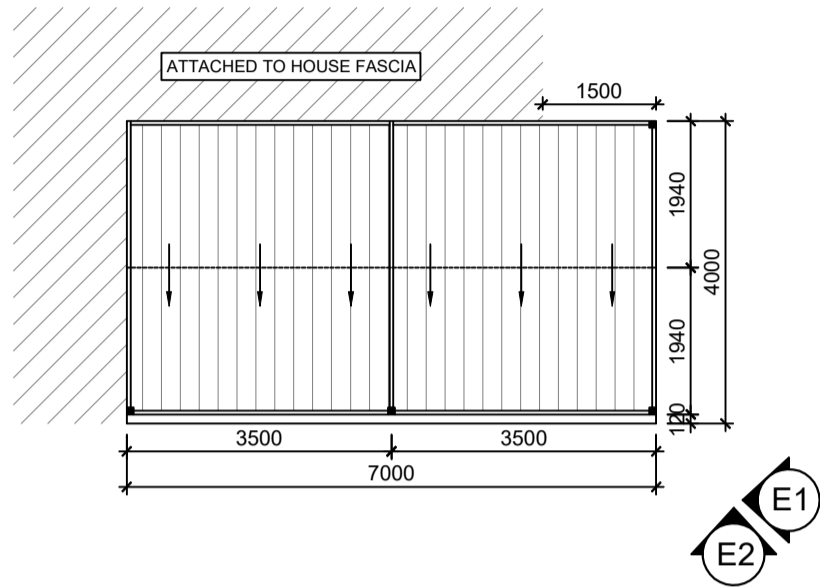
SCALE:
AS NOTED

DRAWN:
GP

REVISION:
A

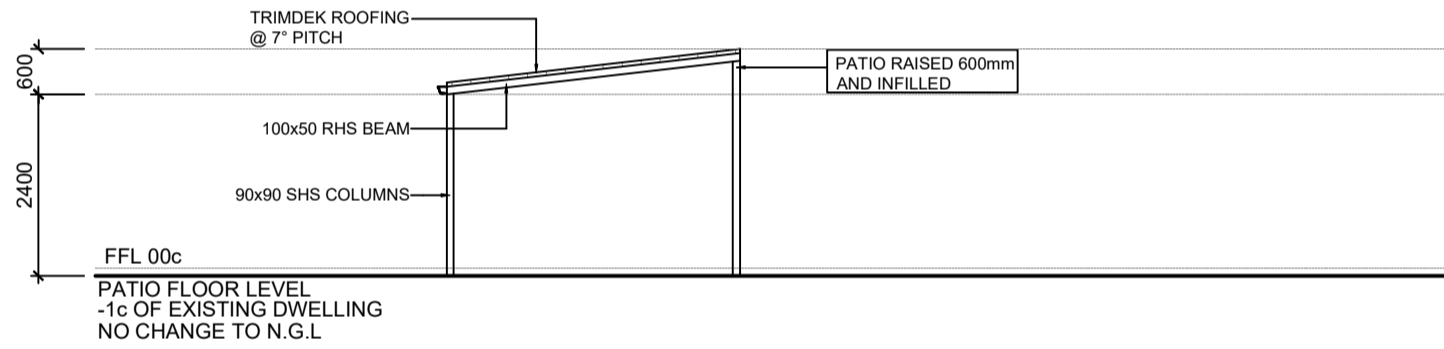
NOTE! DO NOT SCALE THIS DRAWING. IT IS THE BUILDER'S EXPRESS RESPONSIBILITY TO CHECK ALL SITE DIMENSIONS PRIOR TO FABRICATION OR COMMENCEMENT OF ANY WORK. ANY FORM OF REPRODUCTION OF THIS DRAWING IN FULL OR IN PART WITHOUT WRITTEN PERMISSION OF THE ARCHITECT CONSTITUTES AN INFRINGEMENT OF COPYRIGHT.

NOTE! ALL CONSTRUCTION TO BE IN ACCORDANCE WITH ALL ENGINEERS DETAILS. ALL RELEVANT AUSTRALIAN STANDARDS & THE BUILDING CODE OF AUSTRALIA



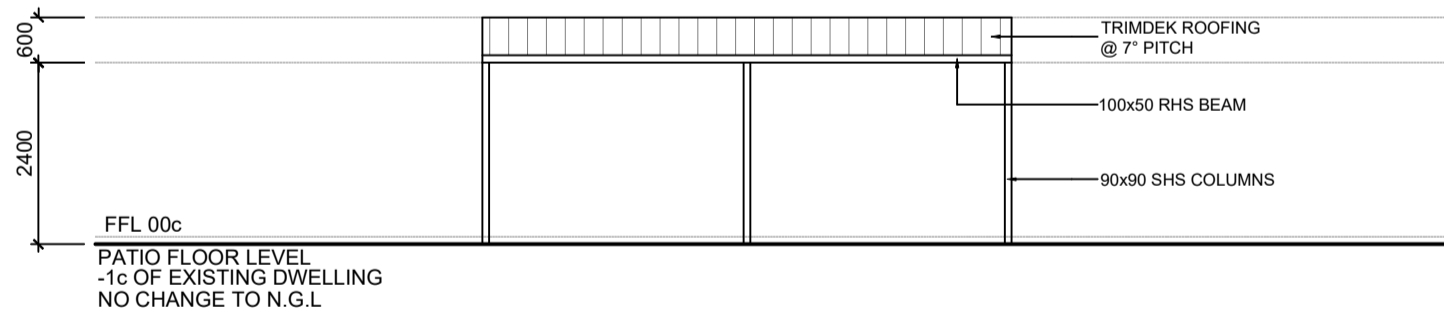
PROPOSED PATIO PLAN

SCALE 1 : 100



ELEVATION 1

SCALE 1 : 100



ELEVATION 2

SCALE 1 : 100

©COPYRIGHT

	CLIENT: JB PATIOS & FABRICATION	PROJECT NAME: PATIO ADDITION	JOB NO: 3237
	ADDRESS: 45 MORGAN WAY GIRRAWHEEN	DWG TITLE: FLOOR PLAN AND ELEV.	SCALE: AS NOTED
			DRAWN: GP
			REVISION: A

NOTE! DO NOT SCALE THIS DRAWING. IT IS THE BUILDER'S EXPRESS RESPONSIBILITY TO CHECK ALL SITE DIMENSIONS PRIOR TO FABRICATION OR COMMENCEMENT OF ANY WORK. ANY FORM OF REPRODUCTION OF THIS DRAWING IN FULL OR IN PART WITHOUT WRITTEN PERMISSION OF THE ARCHITECT CONSTITUTES AN INFRINGEMENT OF COPYRIGHT.

NOTE! ALL CONSTRUCTION TO BE IN ACCORDANCE WITH ALL ENGINEERS DETAILS. ALL RELEVANT AUSTRALIAN STANDARDS & THE BUILDING CODE OF AUSTRALIA