

CHANGING EXISTING STRUCTURE
WITH SAME DIMENSIONS

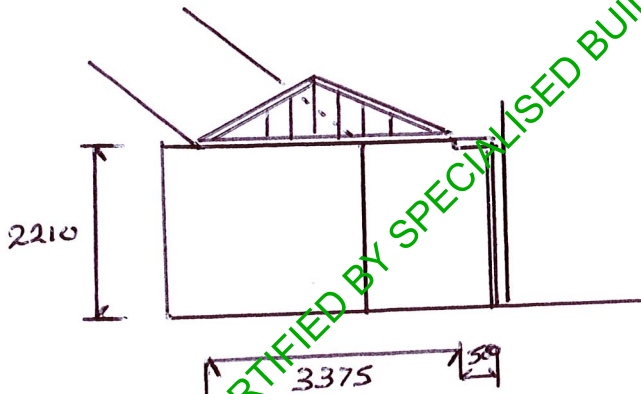
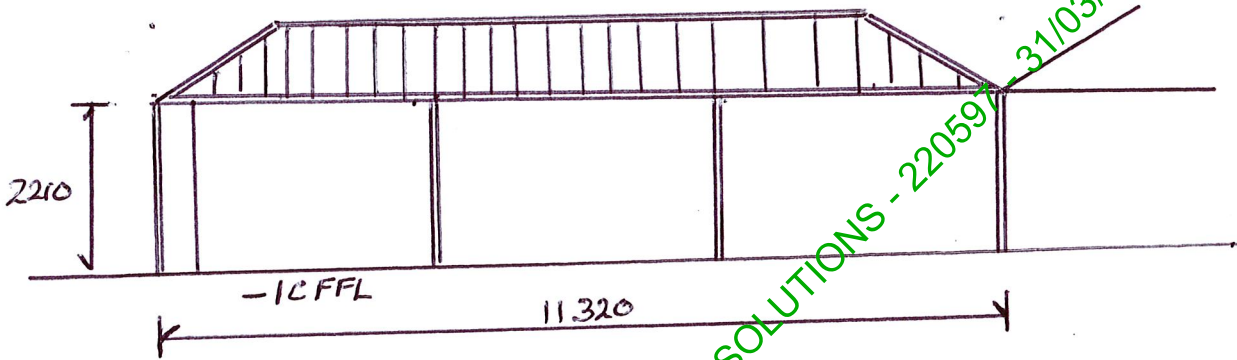
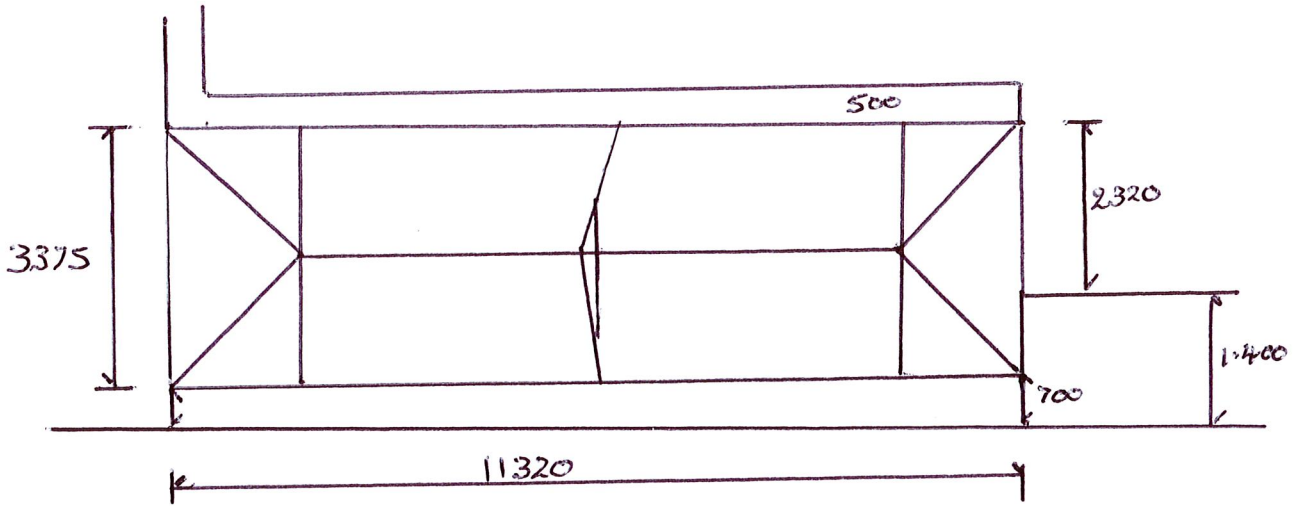
2 SIERRA KEY
MINDARIE



Specialised Building Solutions
Stress Free Building Approvals

THESE PLANS TO BE
READ IN CONJUNCTION
WITH SITE SPECIFIC
CONSTRUCTION NOTES

CHALK



CERTIFIED BY SPECIALISED BUILDING SOLUTIONS - 220597 - 31/03/2022



Specialised Building Solutions

Stress Free Building Approvals

THESE PLANS TO BE
READ IN CONJUNCTION
WITH SITE SPECIFIC
CONSTRUCTION NOTES