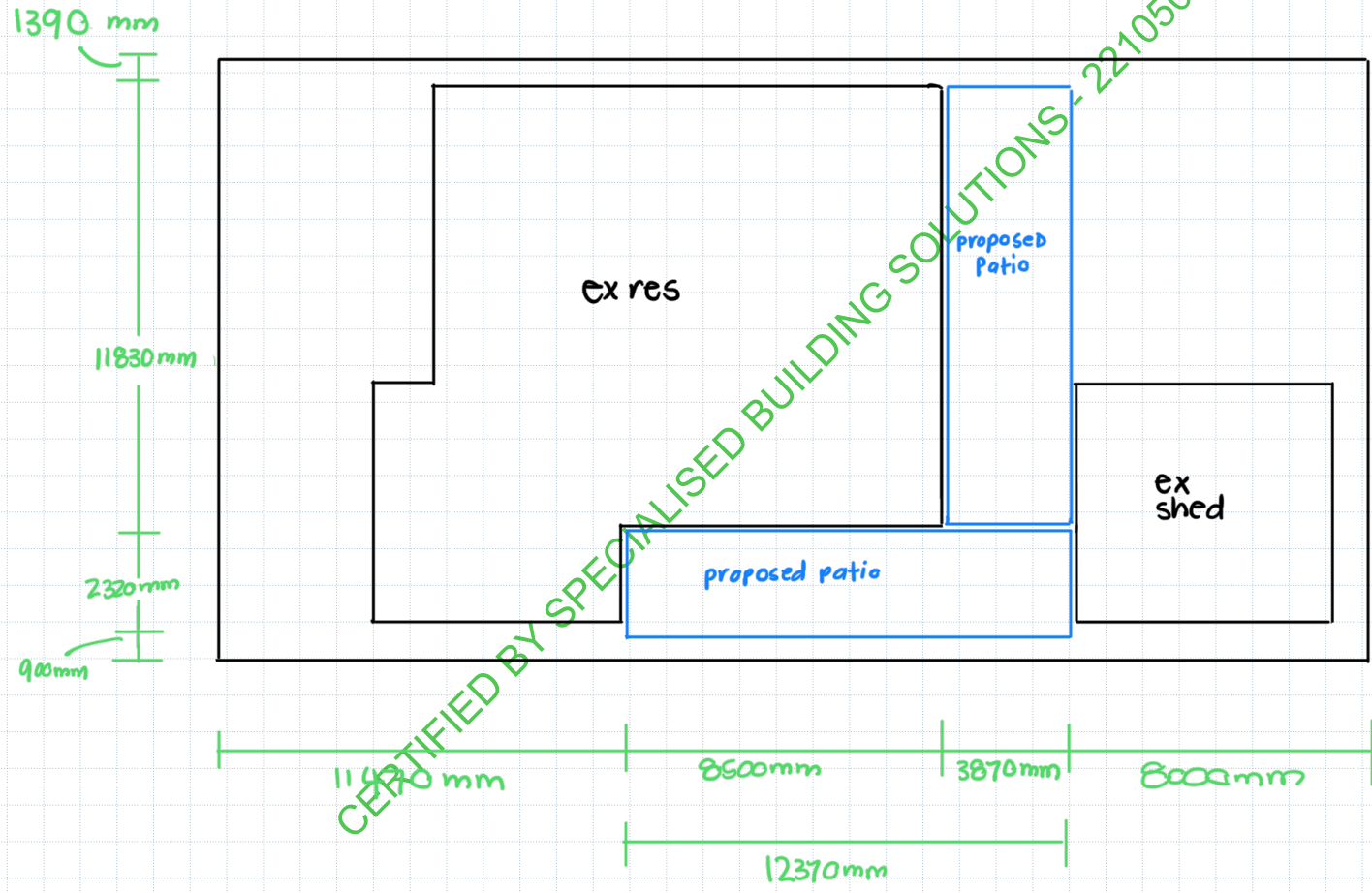


Notes: Scale: 1:200

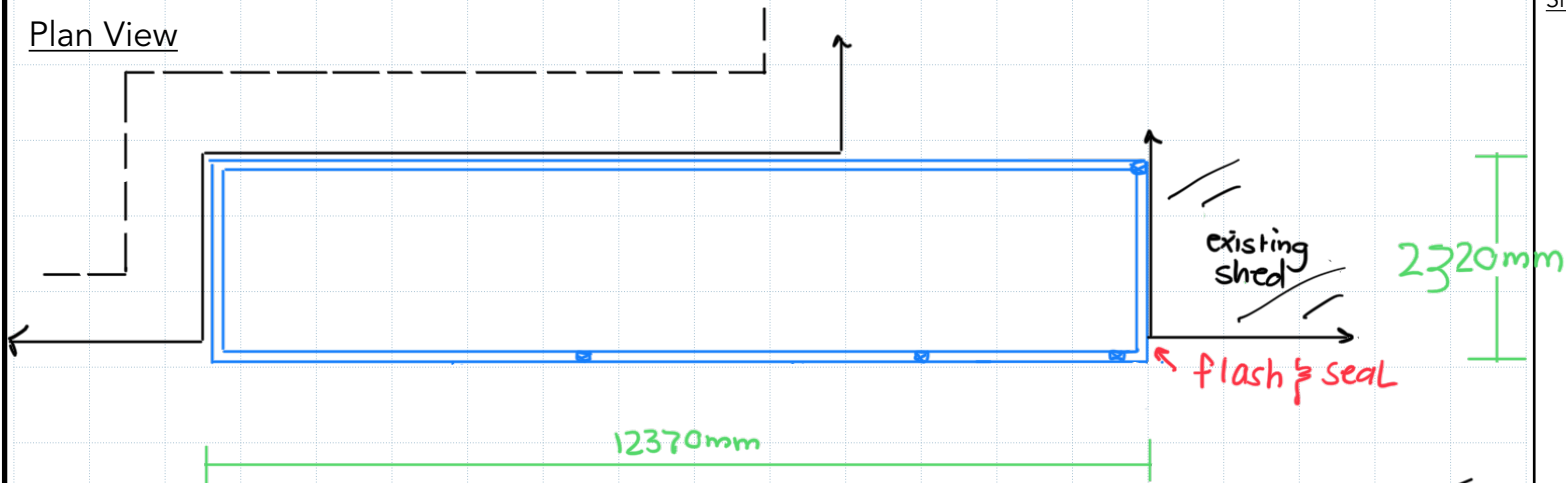
Key:

- Existing Structure
- Proposed Patio
- - - Boundary

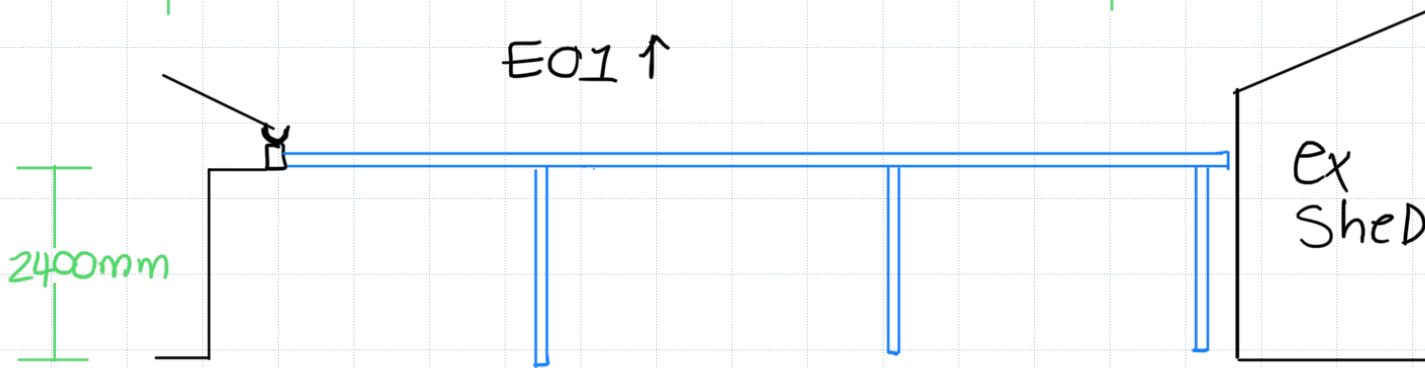


THESE PLANS TO BE
READ IN CONJUNCTION
WITH SITE SPECIFIC
CONSTRUCTION NOTES

Plan View

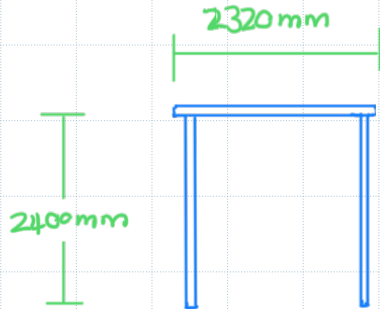


E01 ↑



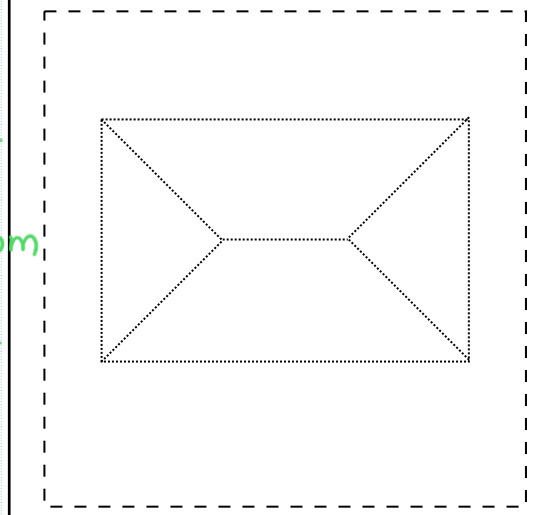
Elevations

E02



8x skylights
Positions TBC
by customer

Site Plan: Front of House (Street)



Notes:

Scale: 1:100

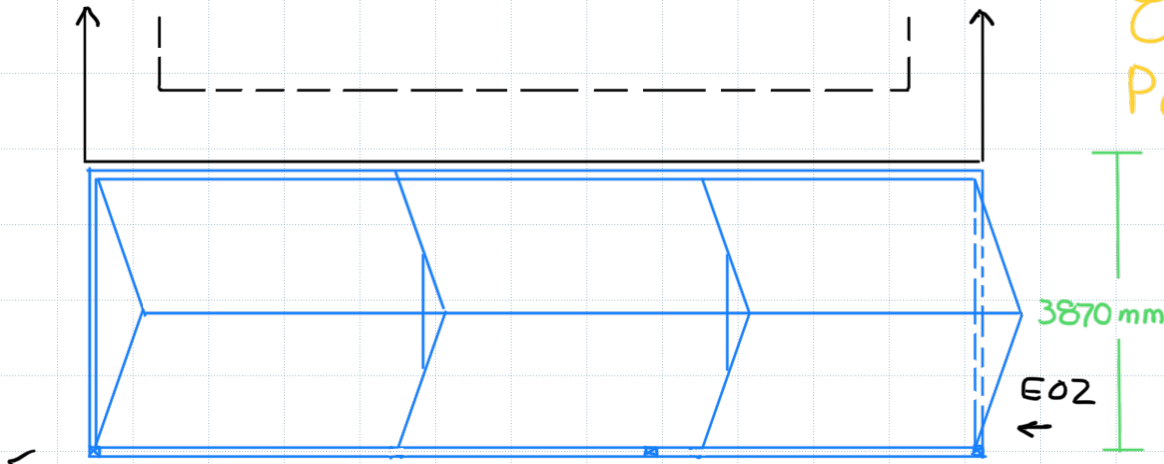
Craig - Blinds to be installed after installation

Key:

- ☒ Post
- - - Brickwork
- - - Boundary

C. McCauley
C.M.

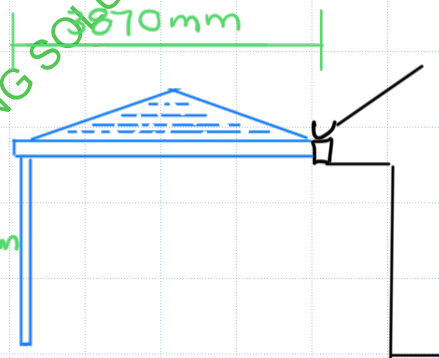
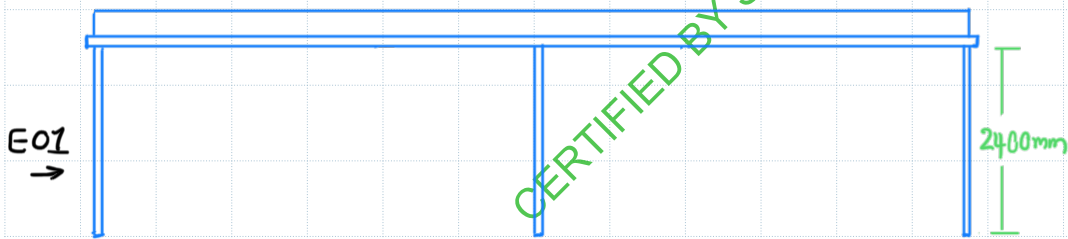
Plan View



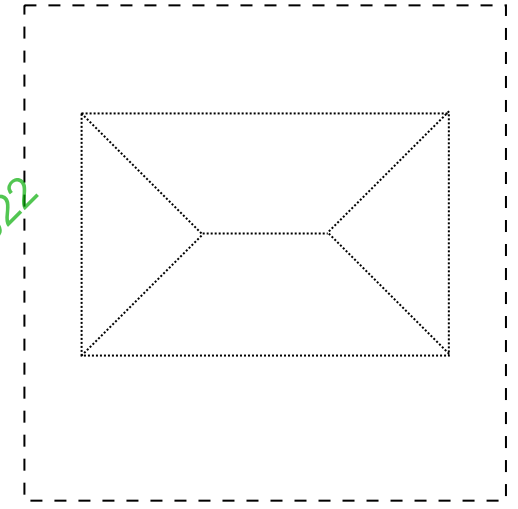
8x skyLights
Position TBC
by customer

flash & seal

Elevations



Site Plan: Front of House (Street)



Notes:

Scale: 1:100



Specialised Building Solutions
Stress Free Building Approvals

Key:

THESE PLANS TO BE
READ IN CONJUNCTION
WITH SITE SPECIFIC
CONSTRUCTION NOTES

Van Tran

C. McCauley

C.M

DWG No: SC1

CERTIFIED BY SPECIALISED BUILDING SOLUTIONS - 221050 - 10/06/2022