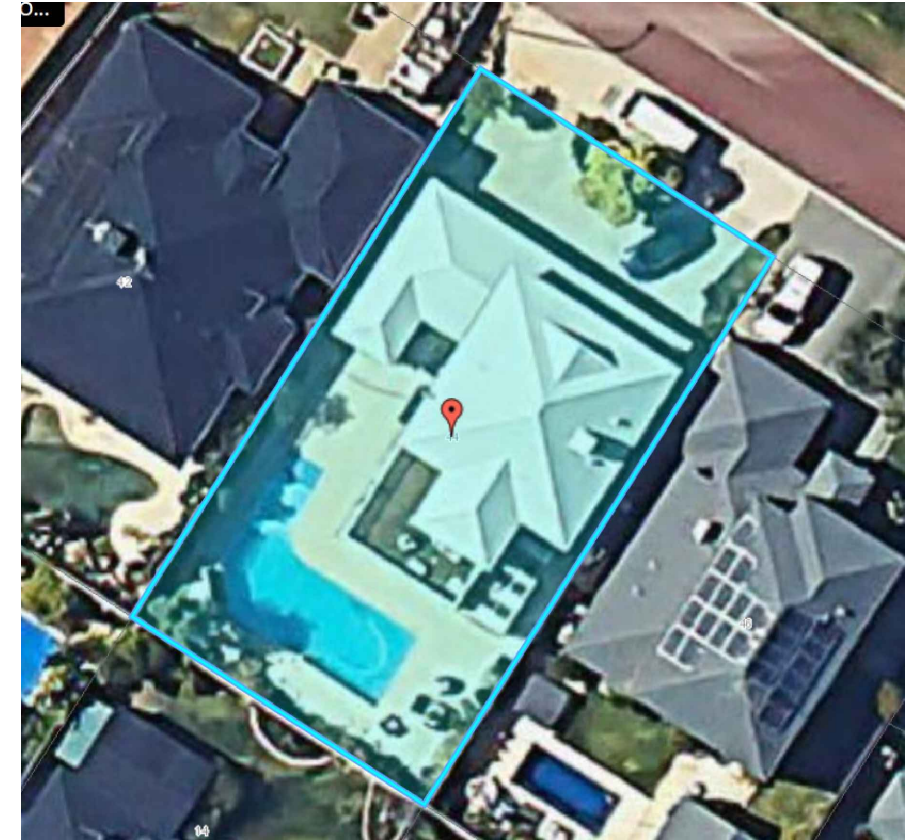
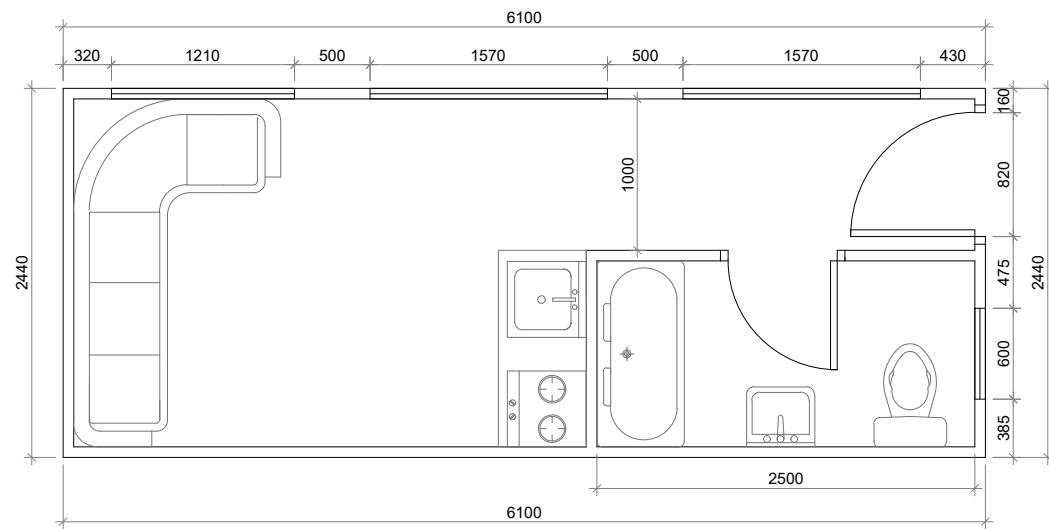
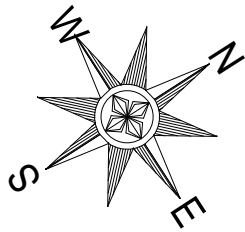


SITE PLAN
SCALE 1:200



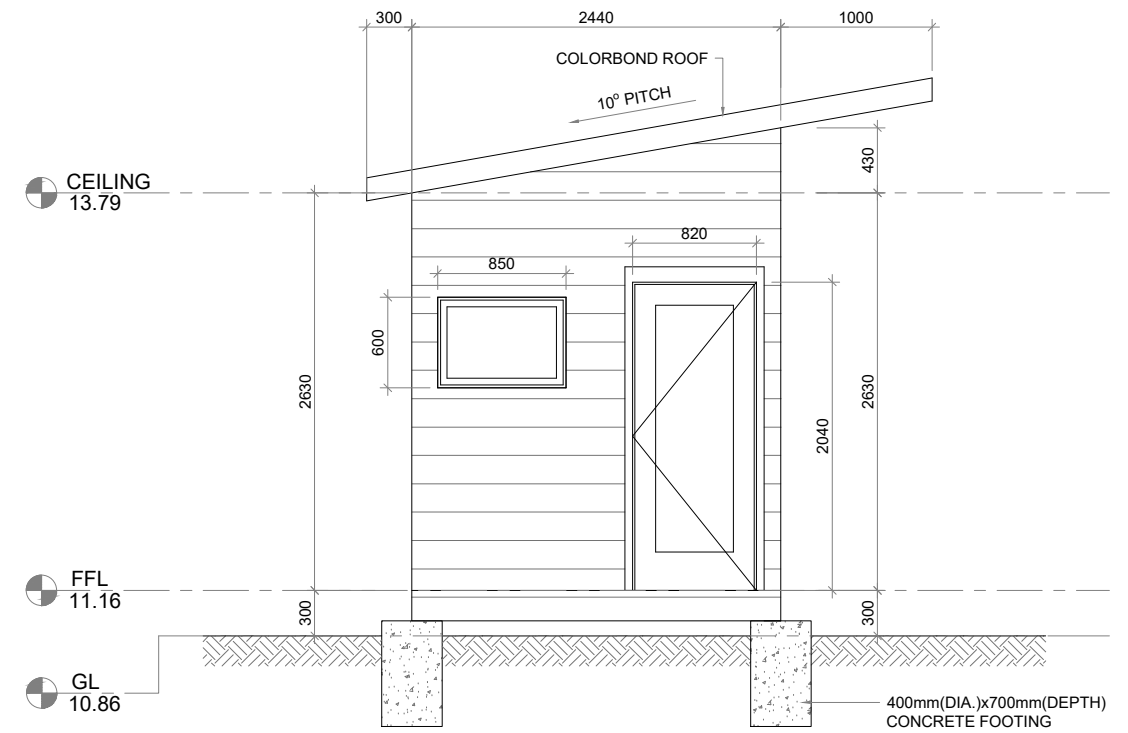
LOCATION PLAN

PROJECT NAME: PROPOSED NEW POOL HOUSE & GRANNY FLAT	
ADDRESS: 44 GLENGYLE TURN, QUINNS ROCKS	LOT NO: 446
JOB NO: 468	SCALE: AS SHOWN
DRAWN BY: JK	SHEET: 01 OF 08



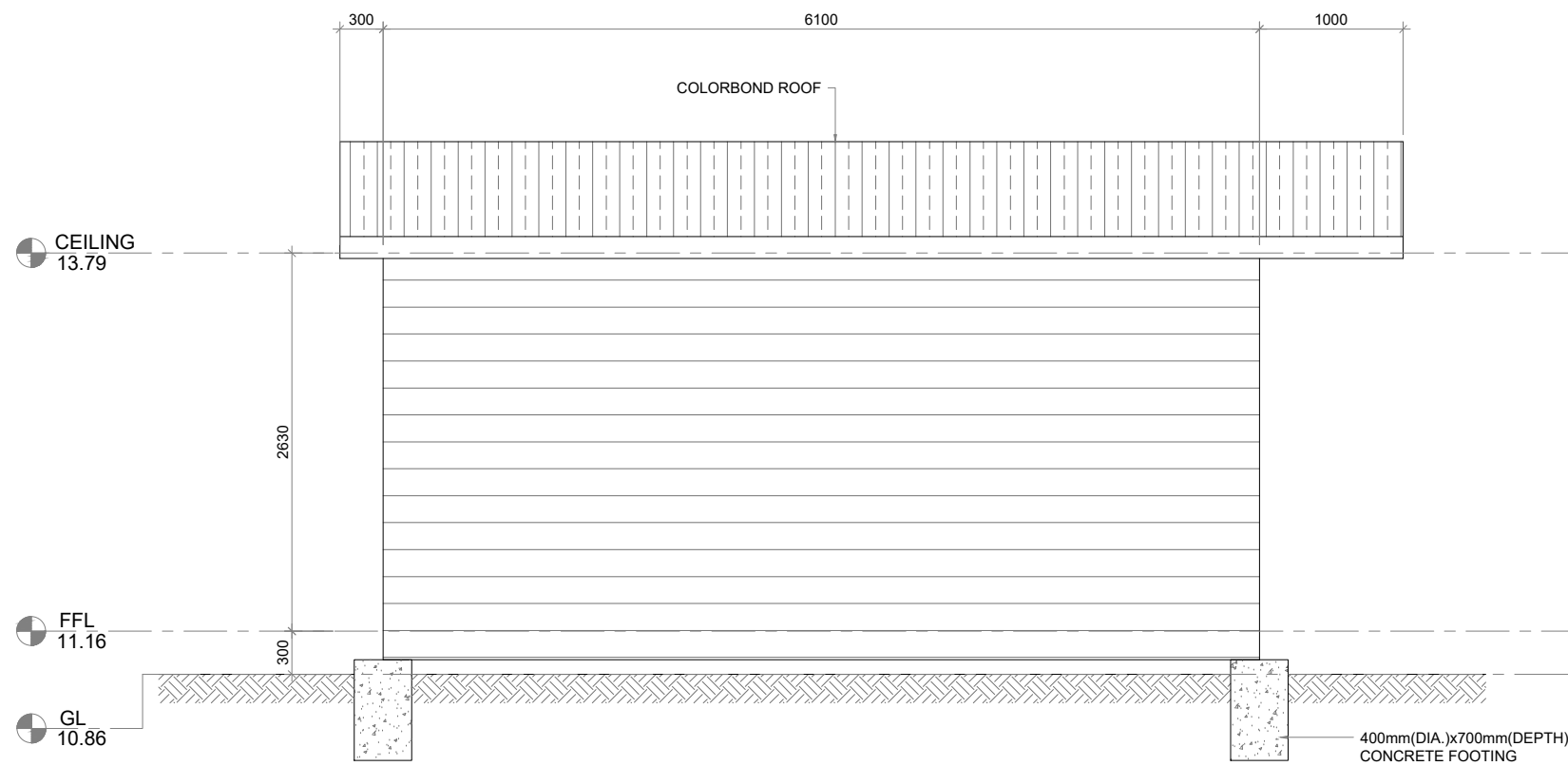
PROPOSED POOL HOUSE PLAN

SCALE 1:50



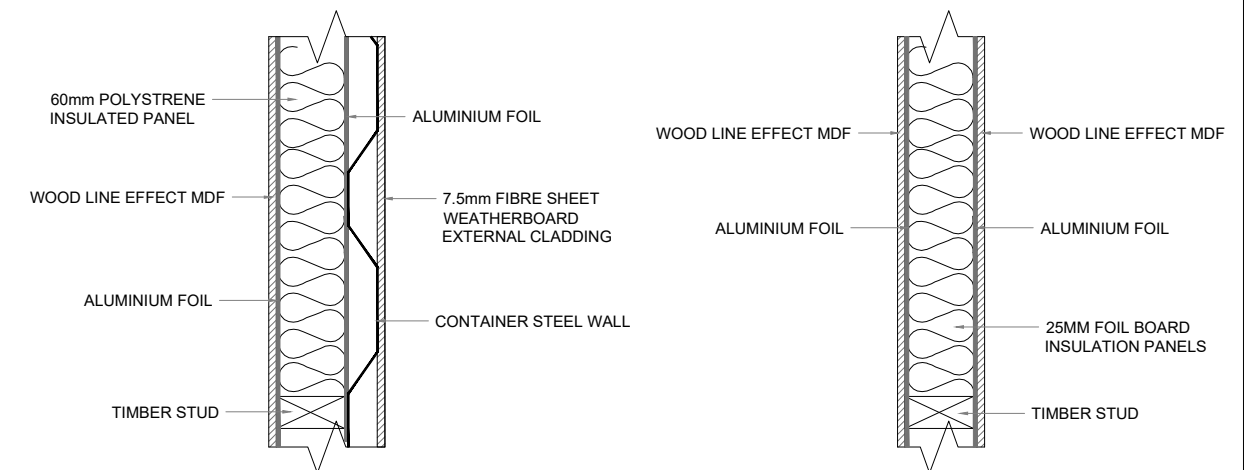
NORTH EAST ELEVATION

SCALE 1:50



SOUTH EAST ELEVATION

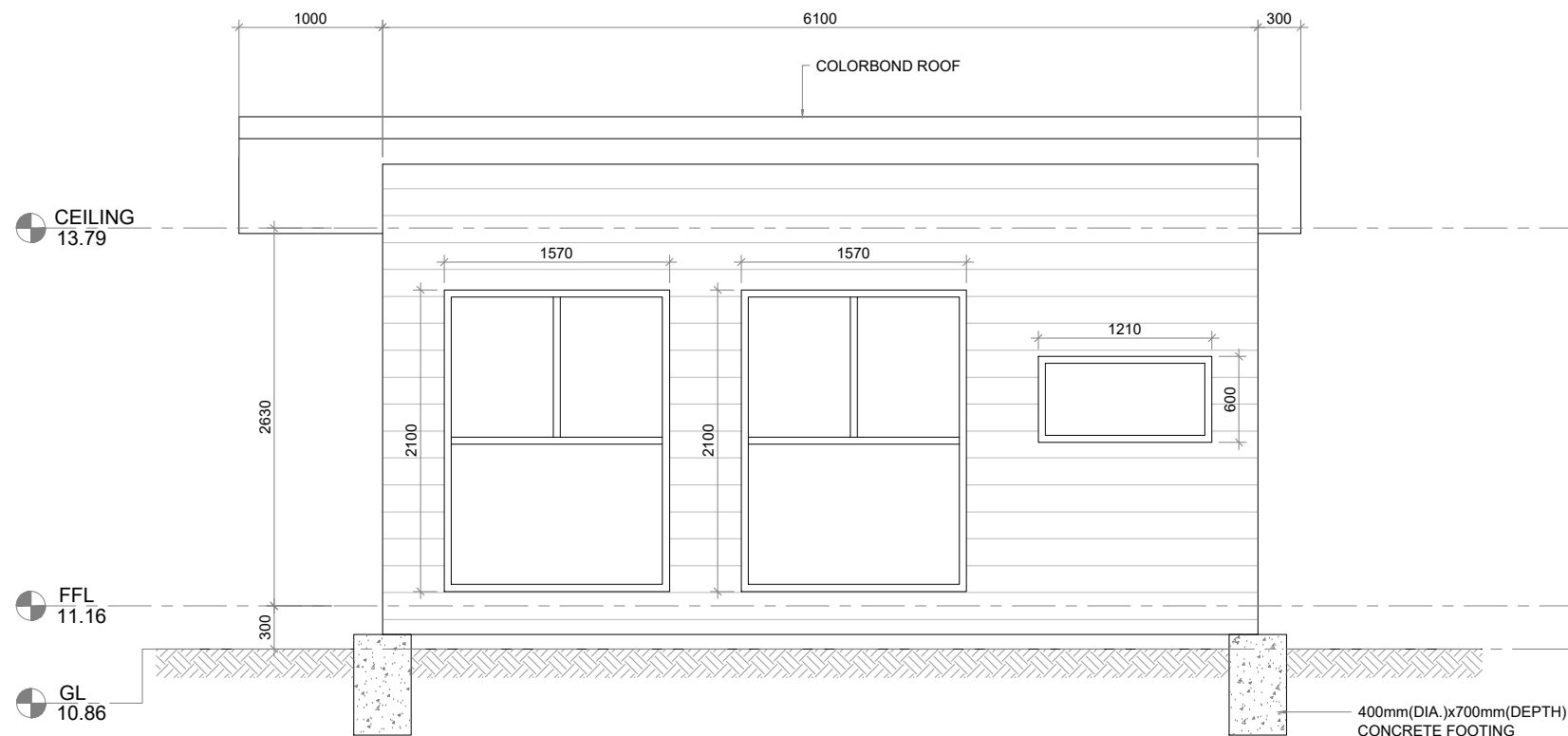
SCALE 1:50



01 EXTERNAL WALL DETAIL (TIMBER STUD WALL)

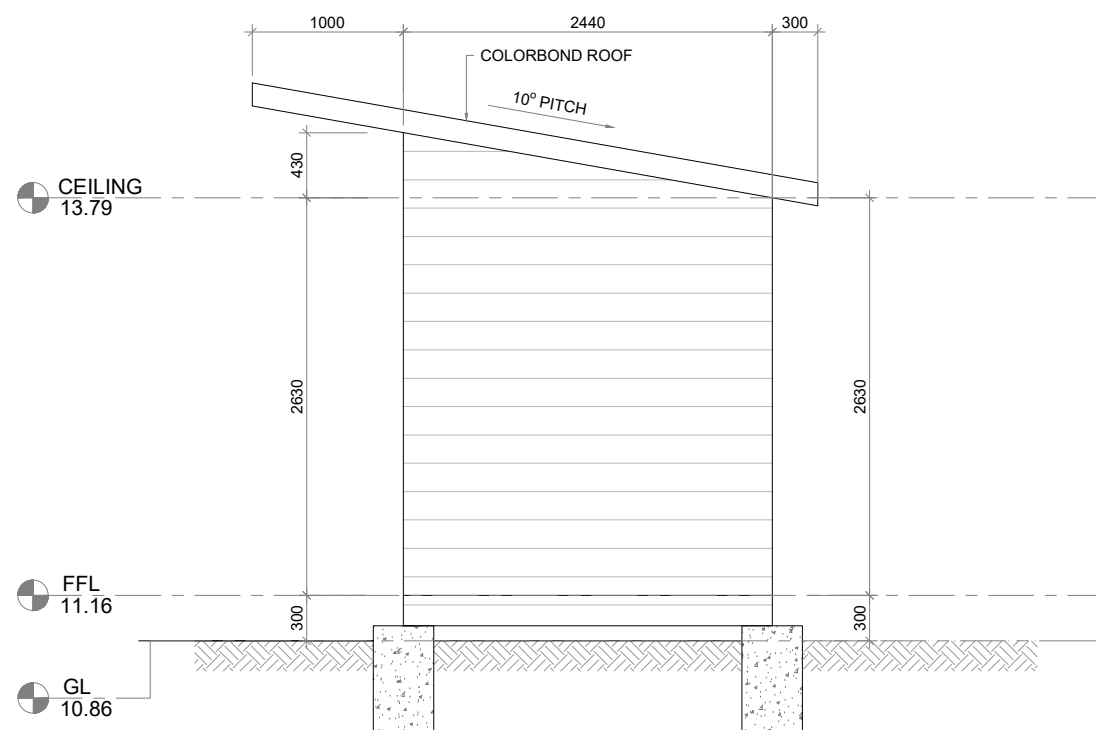
02 INTERNAL WALL DETAIL (TIMBER STUD WALL)

PROJECT NAME: PROPOSED NEW POOL HOUSE & GRANNY FLAT	
ADDRESS: 44 GLENGYLE TURN, QUINNS ROCKS	LOT NO: 446
JOB NO: 468	SCALE: AS SHOWN
DRAWN BY: JK	SHEET: 02 OF 08



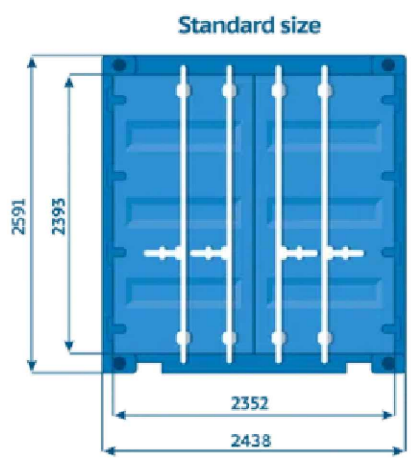
NORTH WEST ELEVATION

SCALE 1:50



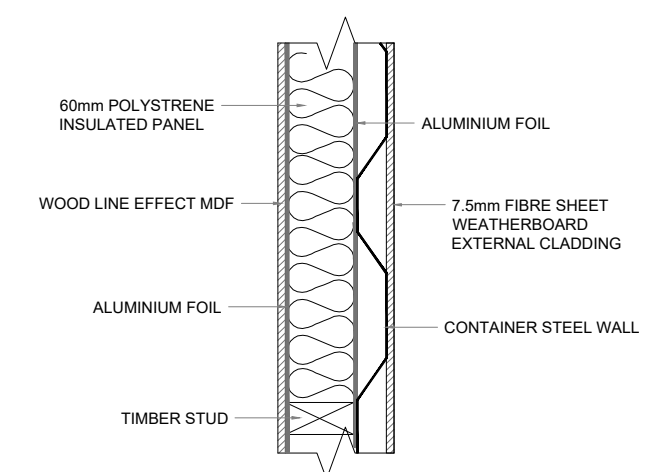
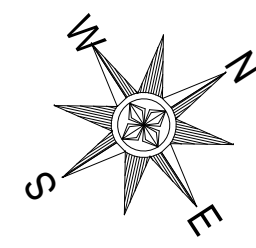
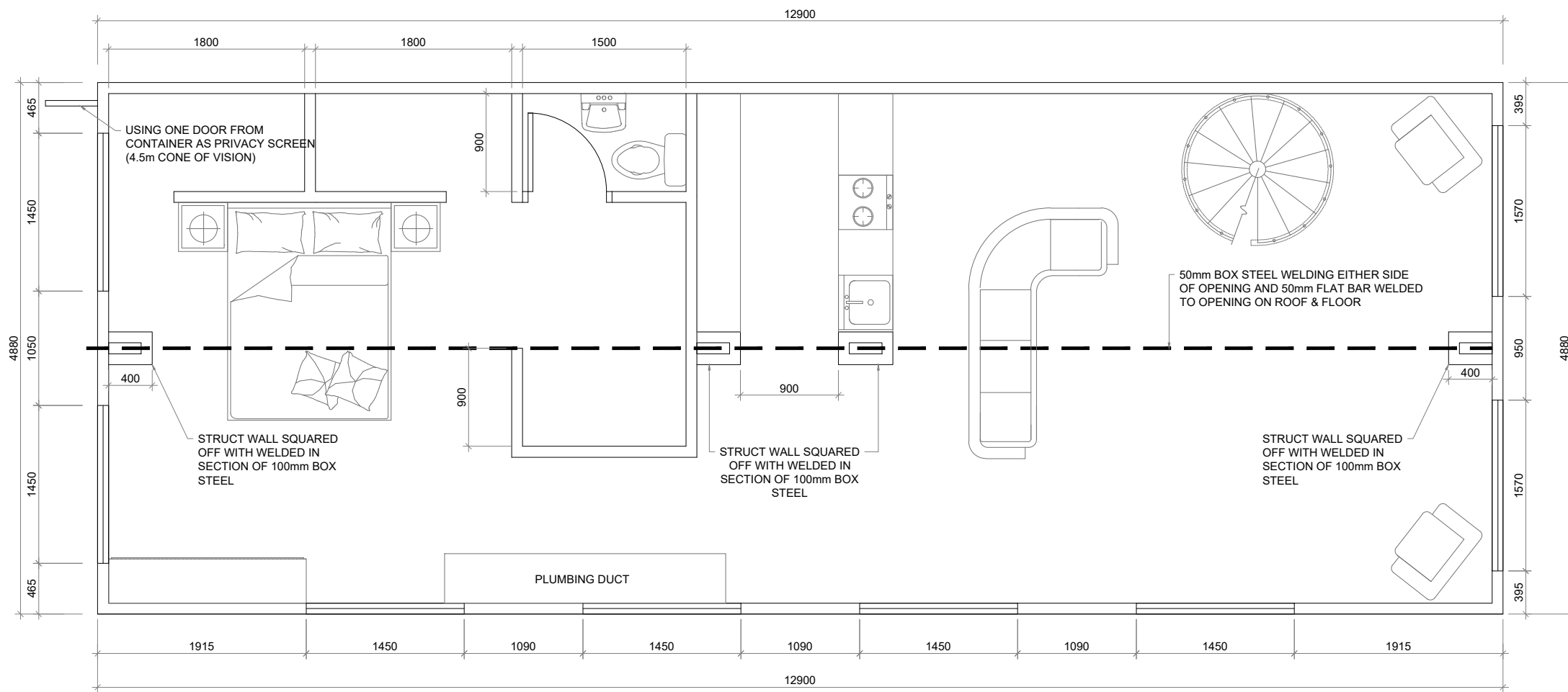
SOUTH WEST ELEVATION

SCALE 1:50



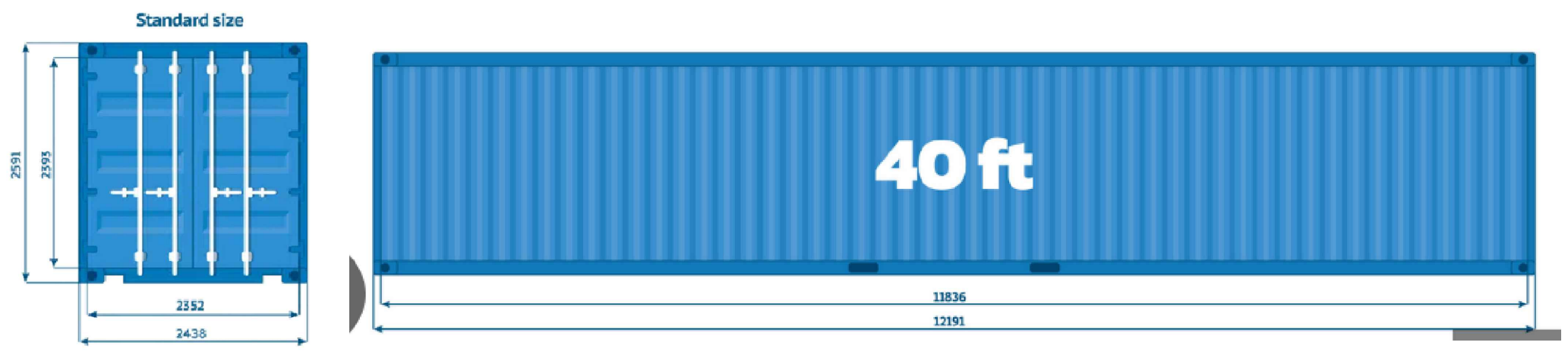
20' CONTAINER DETAIL

PROJECT NAME: PROPOSED NEW POOL HOUSE & GRANNY FLAT	
ADDRESS: 44 GLENGYLE TURN, QUINNS ROCKS	LOT NO: 446
JOB NO: 468	SCALE: AS SHOWN
DRAWN BY: JK	SHEET: 03 OF 08

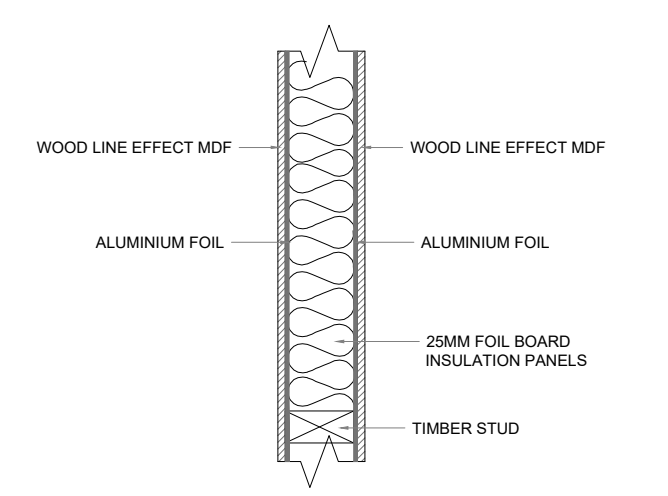


01 EXTERNAL WALL DETAIL
S02 (TIMBER STUD WALL)

GRANNY FLAT FIRST FLOOR PLAN
SCALE 1:50

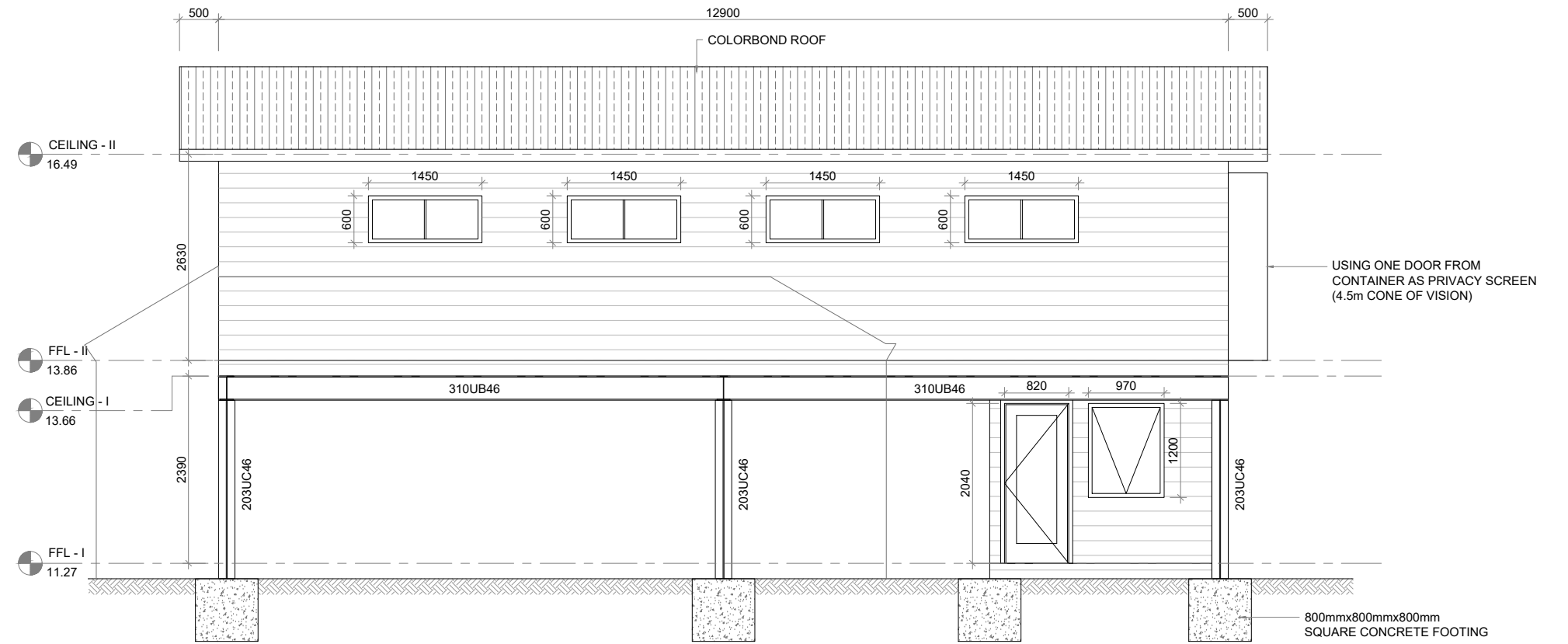


40' CONTAINER DETAIL



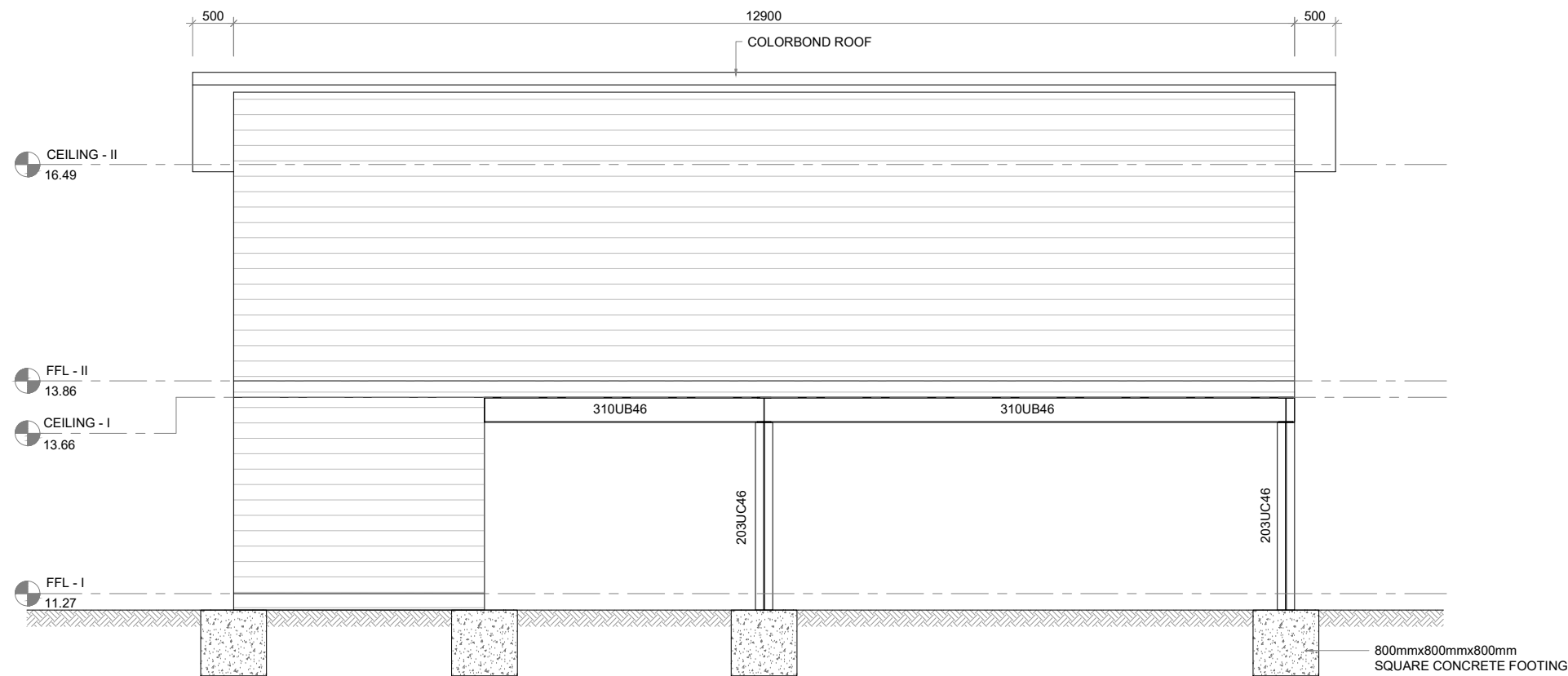
02 INTERNAL WALL DETAIL
S02 (TIMBER STUD WALL)

PROJECT NAME: PROPOSED NEW POOL HOUSE & GRANNY FLAT	
ADDRESS: 44 GLENGYLE TURN, QUINNS ROCKS	LOT NO: 446
JOB NO: 468	SCALE: AS SHOWN
DRAWN BY: JK	SHEET: 05 OF 08



SOUTH EAST ELEVATION

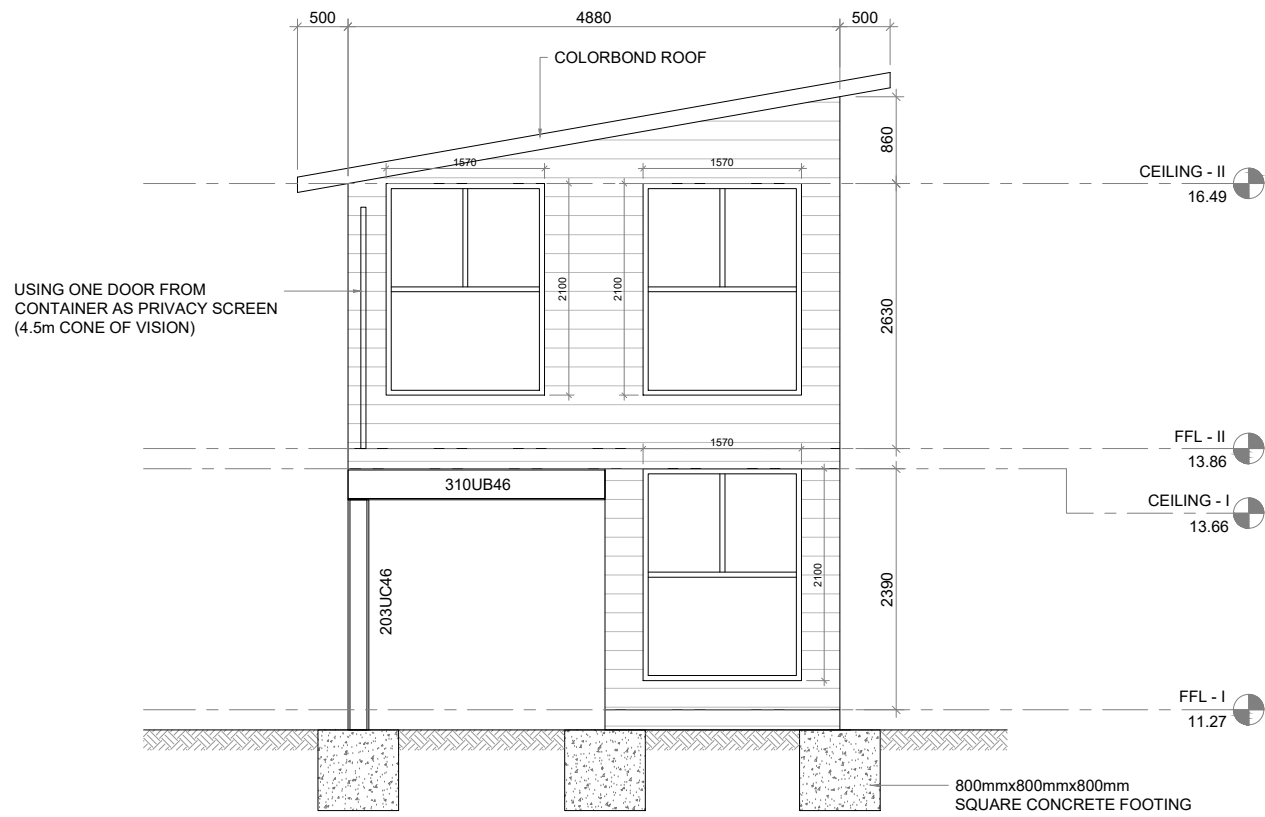
SCALE 1:75



NORTH WEST ELEVATION

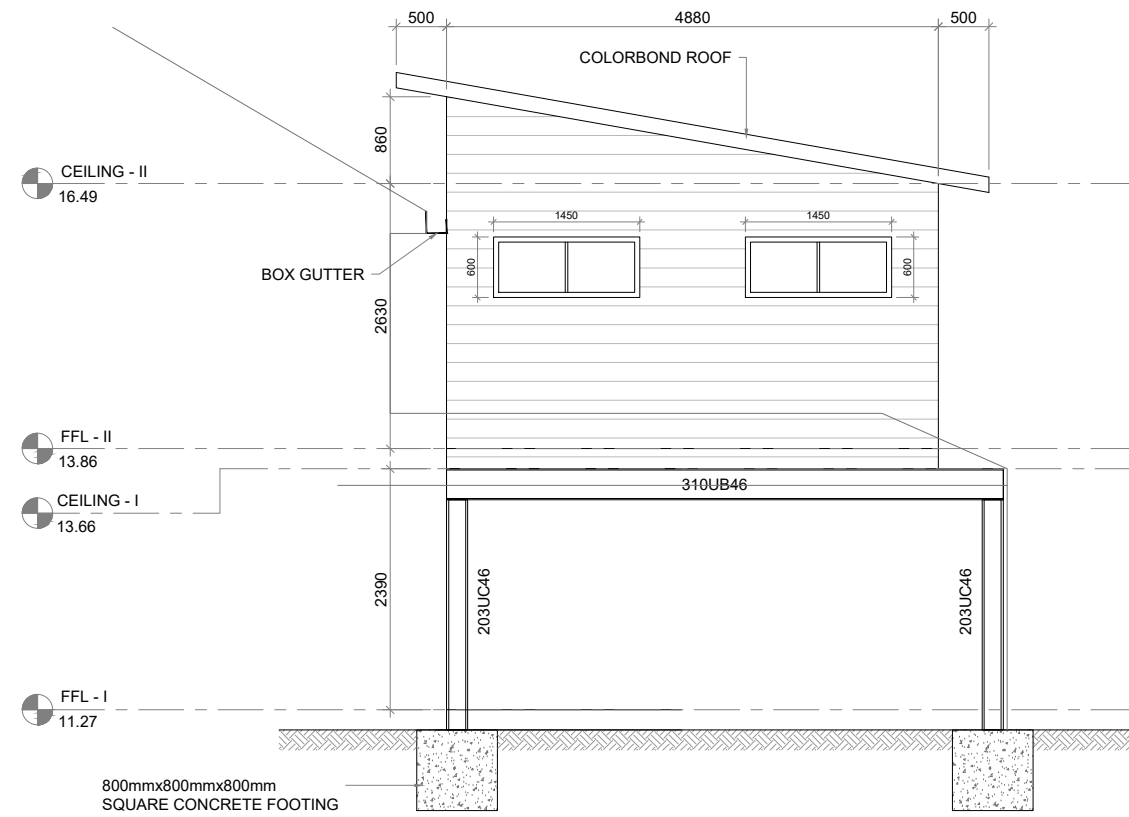
SCALE 1:75

PROJECT NAME: PROPOSED NEW POOL HOUSE & GRANNY FLAT	
ADDRESS: 44 GLENGYLE TURN, QUINNS ROCKS	LOT NO: 446
JOB NO: 468	SCALE: AS SHOWN
DRAWN BY: JK	SHEET: 06 OF 08



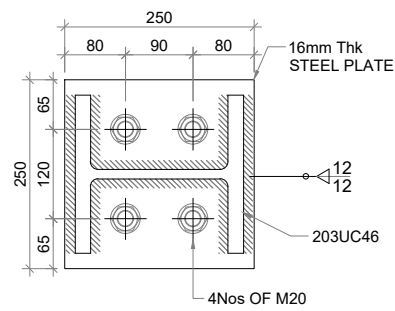
NORTH EAST ELEVATION

SCALE 1:75

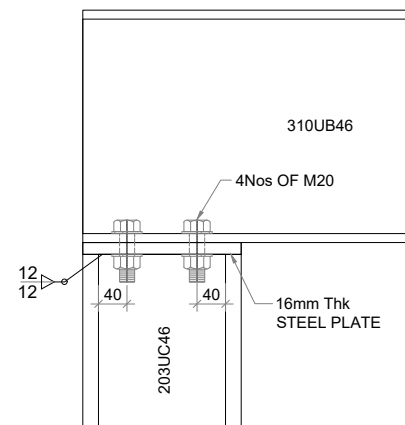


SOUTH WEST ELEVATION

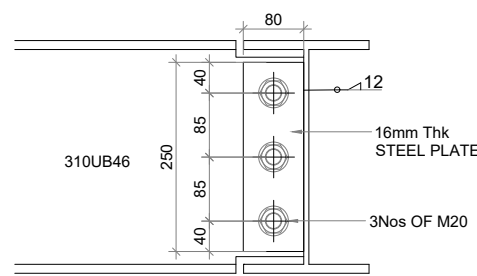
SCALE 1:75



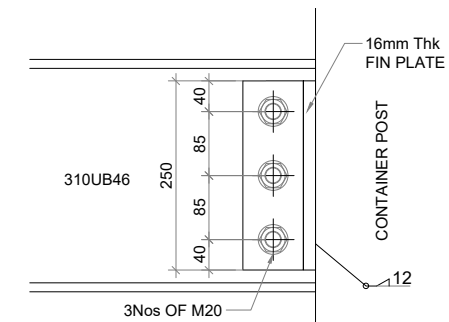
03 UC BASE CONNECTION
S07



04 UC - UB CONNECTION
S07



05 UB - UB CONNECTION
S07



06 CONTAINER POST TO UB CONNECTION
S07

PROJECT NAME: PROPOSED NEW POOL HOUSE & GRANNY FLAT	
ADDRESS: 44 GLENGYLE TURN, QUINNS ROCKS	LOT NO: 446
JOB NO: 468	SCALE: AS SHOWN
DRAWN BY: JK	SHEET: 07 OF 08