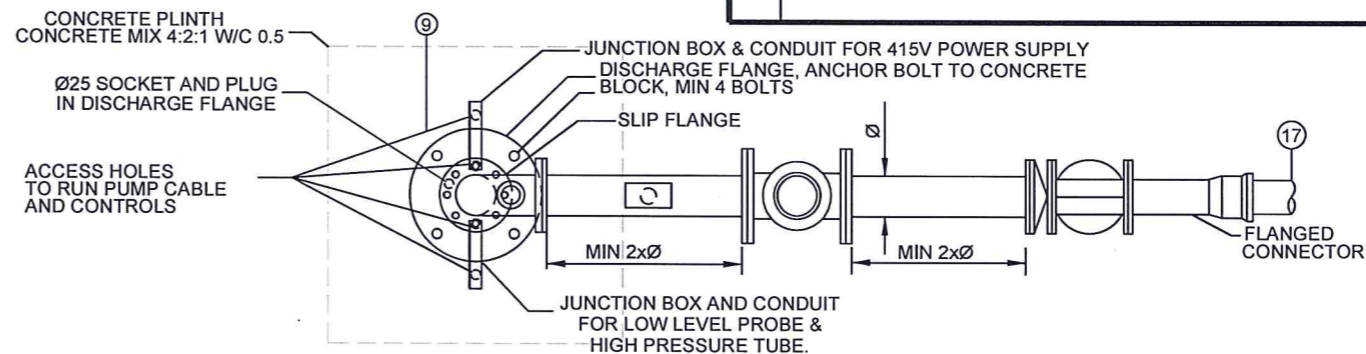


No.	REVISION	BY	DATE	AUTH
0	ISSUED	CL	01/2016	

PIPE SIZE.	DIMENSIONS (mm)							CONCRETE PLINTH
	A.	B.	C.	D.	E.	F.	G.	
Ø50	300	150	500	150	1305	Ø25	50	Ø650 x 450
Ø80	600	200	800	200	1430	Ø25	80	Ø650 x 600
Ø100	600	200	1000	250	1430	Ø50	100	Ø750 x 600

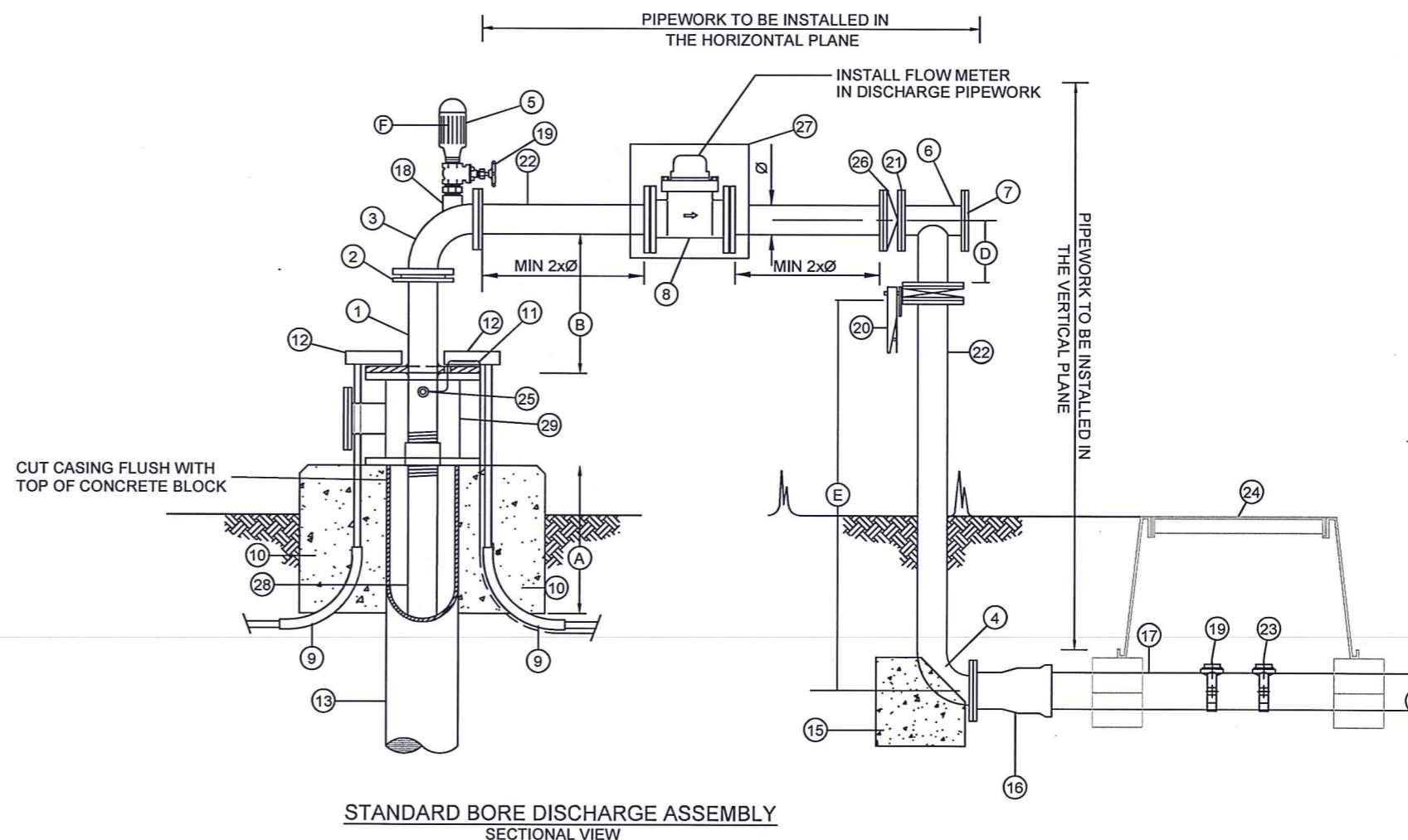


STANDARD BORE DISCHARGE ASSEMBLY
PLAN VIEW (JUNCTION BOXES ROTATED FOR CLARITY)

- | | |
|--|---|
| ITEM DESCRIPTION | ITEM DESCRIPTION |
| 1. DISCHARGE FLANGE ASSEMBLY. | 18. BSP SOCKET AND NIPPLE. |
| 2. TE SLIP FLANGE | 19. MILNES GUNMETAL TAPPING BAND. INSTALL HUNTER FLOW CLICK WHERE SPECIFIED. PLUG IF SOCKET NOT USED. |
| 3. 90° LONG RADIUS FLANGED ELBOW. | 20. BUTTERFLY VALVE WITH NOTCH PLATE AND HANDLE. REMOVE HANDLE AND STORE IN PUMP CUBICLE. |
| 4. 90° LONG RADIUS BUTTWELD ELBOW. | 21. TABLE "E" FLANGE SET. |
| 5. AUTOMATIC AIR/VACUUM RELEASE VALVE - METAL CONSTRUCTION. | 22. GALVANISED STEEL DISCHARGE PIPE. |
| 6. STANDARD WT. BUTTWELD TE FLANGED TEE. | 23. MILNES GUNMETAL TAPPING BAND. INSTALL FLOW SWITCH WHERE SPECIFIED. PLUG IF SOCKET NOT USED. |
| 7. TE BLANK FLANGE. | 24. RAINBIRD MAXI JUMBO RECTANGULAR VALVE BOX (VB-MAX 102.4X68.8X45.7 CM) |
| 8. ARAD OCTAVE FLOW METER SIZED TO DISCHARGE Ø. | 25. DRILL & TAP FOR PRESSURE TAKE OFF TUBE. RUN TUBE BACK TO PRESSURE GAUGE IN CONTROL CABINET. |
| 9. HEAVY DUTY ELECTRICAL CONDUIT. | 26. DUAL FLAP CHECK VALVE. |
| 10. CONCRETE PLINTH. | 27. LOCKABLE GALVANISED METER ENCLOSURE. |
| 11. PRESSURE TUBE. | 28. PUMP COLUMN. |
| 12. STEEL JUNCTION BOXES. | 29. 200NB GALVANISED STEEL FABRICATED DOSING TEE WITH 80NB INLET. |
| 13. BORE CASING. | 30. STUD BOLTS TO SUIT TABLE "D" FLANGE. |
| 14. LOCKABLE COMMERCIAL VALVE BOX TO HOLD ARAD OCTAVE METER. | 31. NOT ALLOCATED. |
| 15. CONCRETE THRUST BLOCK. | 32. NOT ALLOCATED. |
| 16. C.I. FLANGE TO SOCKET CONNECTOR. | |
| 17. P.V.C. MAINLINE. | |

NOTES:

- DIMENSIONS ARE IN MILLIMETRES UNLESS OTHERWISE STATED.
- ALL STEEL PIPEWORK TO BE SCHEDULE 40.
- ALL FLANGES TO BE TABLE "E".
- ALL STEEL PIPEWORK AND FITTINGS TO BE HOT DIPPED GALVANISED AFTER FABRICATION.
- ALL BOLTS STUDS AND NUTS TO BE GALVANISED, ALL BOLT TREADS TO PROTRUDE PAST NUT AFTER INSTALLATION.
- ALL BOLTS USED IN CONCRETE TO BE "RAMSET CHEMSET" MASONRY ANCHORS UNLESS OTHERWISE STATED.
- ALL BURIED STEEL PIPE TO BE "DENSO" WRAPPED AS PER MANUFACTURERS SPECIFICATIONS.
- BUTTERFLY VALVES TO BE FITTED WITH STAINLESS STEEL DISC AND PADLOCK TAB.
- ALL UNUSED SOCKETS TO BE FITTED WITH STEEL PLUG.
- FLOW METER AND BUTTERFLY VALVE TO BE SAME SIZE AS PIPEWORK.
- HIGH, LOW PRESSURE AND NO FLOW FITTINGS NOT SHOWN.



STANDARD BORE DISCHARGE ASSEMBLY
SECTIONAL VIEW

SCALE: NOT TO SCALE SCALE IN MILLIMETRES	DATUM: N/A	GRID: N/A
SURVEYED: N/A SURVEYOR	CHECKED: [Signature] TECHNICAL OFFICER - IRRIGATION	08/02/2016
DESIGNED: X.XXXX CIVIL PROJECTS DESIGNER	AUTHORISED: [Signature] MANAGER PARKS AND RESERVES MAINTENANCE	08/02/2016
DRAWN: X.XXXX CIVIL PROJECTS DESIGNER	APPROVED: [Signature] DIRECTOR ASSET MANAGEMENT	9/2/2016

IRRIGATION
BORE DISCHARGE HEADWORKS
INSTALLATION

STANDARD
SHEET 1 OF 2

CITY OF WANNEROO
INFRASTRUCTURE



FILE No. N/A	DRAWING No. SHEET REVISION	ORIGINAL DRG. SIZE
PROJECT No. N/A	TS 40-20-0	A3