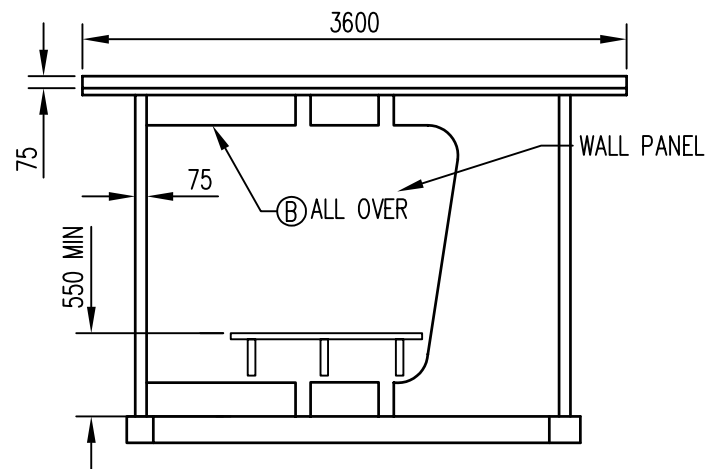
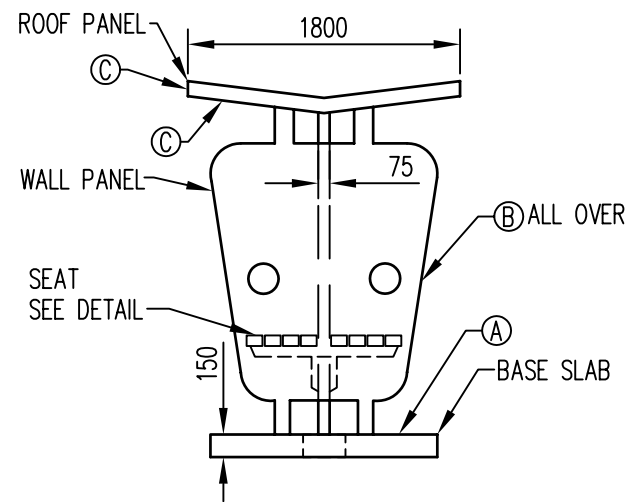
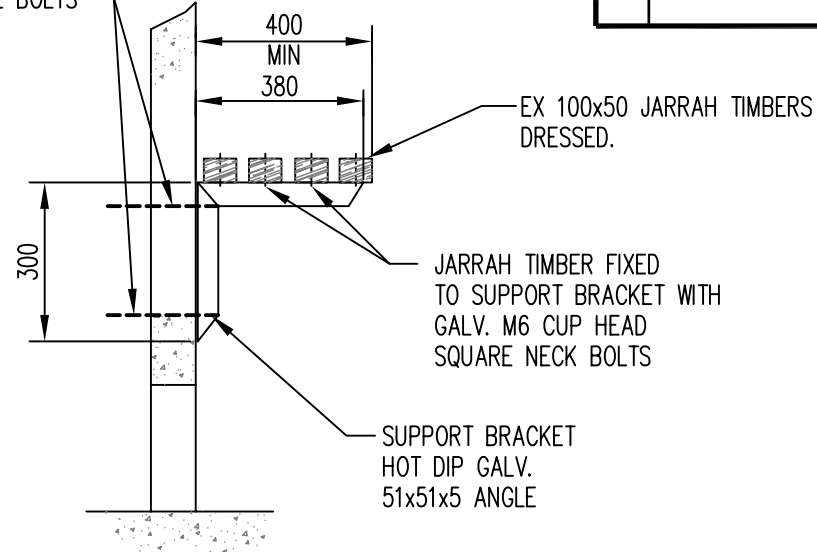


No	REVISION	BY	DATE	AUTH
0.	ISSUED	J.W.T.	8/2001	



SUPPORT BRACKET
FIXED TO WALL WITH
GALV. M12 BOLTS



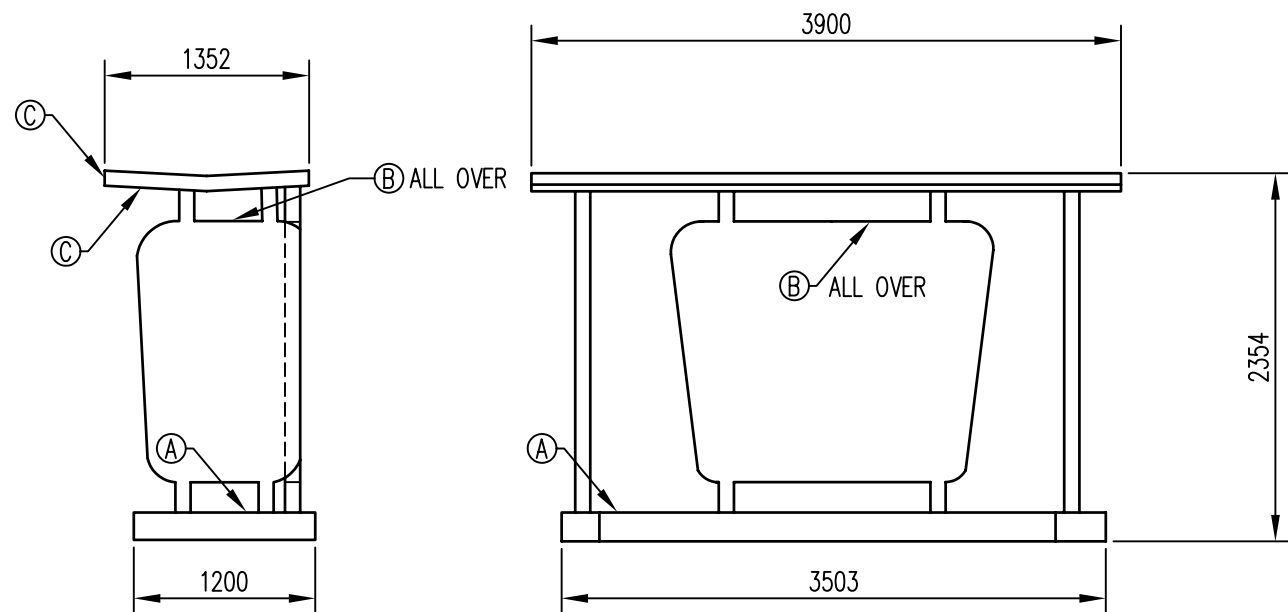
NOTES:

- CONCRETE SURFACE FINISHES
 (A) SMOOTH TROWELLED
 (B) EXPOSED AGGREGATE
 (C) SMOOTH OFF FORM
- REFER TO DRG. No. TS02-3 FOR
 BUS SHELTER OFFSETS FROM
 CARRIAGEWAY

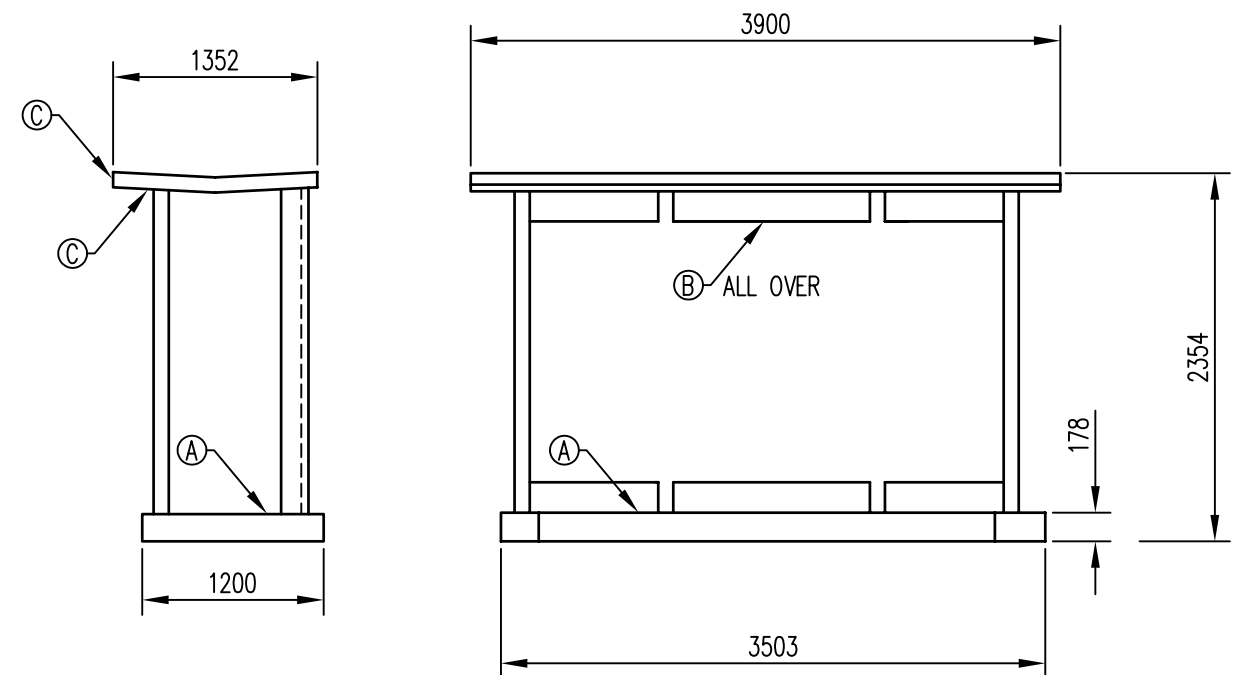
BUS SHELTER TYPE 1

TYPICAL SEAT DETAIL

NOT TO SCALE



BUS SHELTER TYPE 2



BUS SHELTER TYPE 3

* INDICATES SIGNATURES ON ORIGINAL ISSUE OF DRAWING.

DATUM: N/A	GRID: N/A	SURVEYOR: N/A	DESIGNED: C.O.W.	APPROVED: * T. QUINN 8/8/2001 COORDINATOR
SCALE: DIAGRAMMATIC			DRAWN: C.O.W.	APPROVED: * R. KORENHOF 8/8/2001 MANAGER INFRASTRUCTURE
DESIGN ARCHIVE:			DESIGN CHECKED:	APPROVED: * D. BLAIR 8/8/2001 DIRECTOR TECHNICAL SERVICES
DRAWING ARCHIVE: * FINAL STANDARD DRAWINGS			STANDARDS/DOCUMENT CONTROL: * J. TRIMMER 8/8/2001 INFRASTRUCTURE TECHNICAL OFFICER	

BUS FACILITIES
BUS SHELTERS
 TYPE 1, TYPE 2 AND TYPE 3

LOCALITY: STANDARD

CITY OF WANNEROO				
TECHNICAL SERVICES				
INFRASTRUCTURE SERVICES				
FILE No.	DRAWING No	SHEET	REVISION	ORIGINAL DRG. SIZE
	TS 02 - 2 - 0			A3