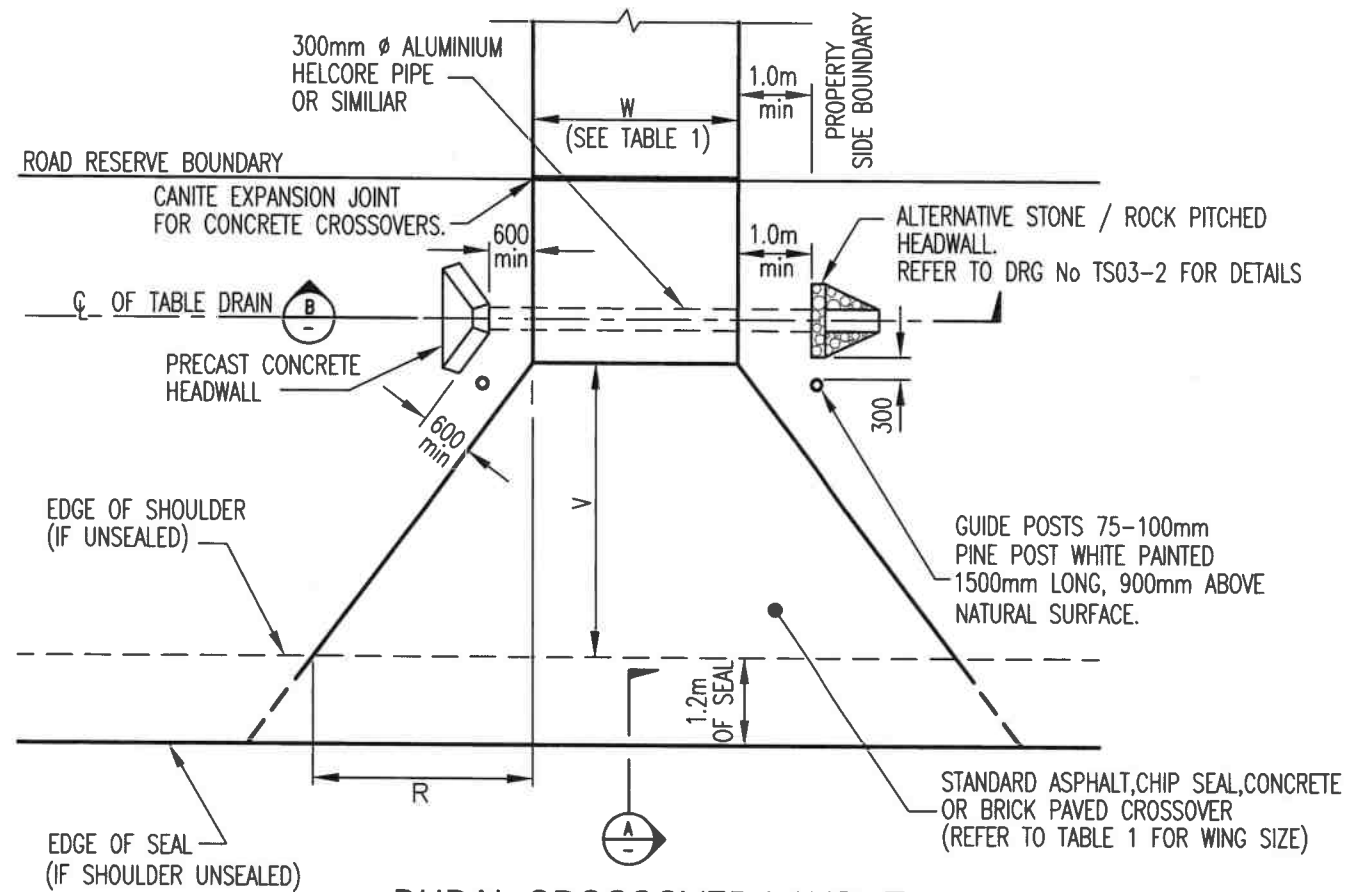
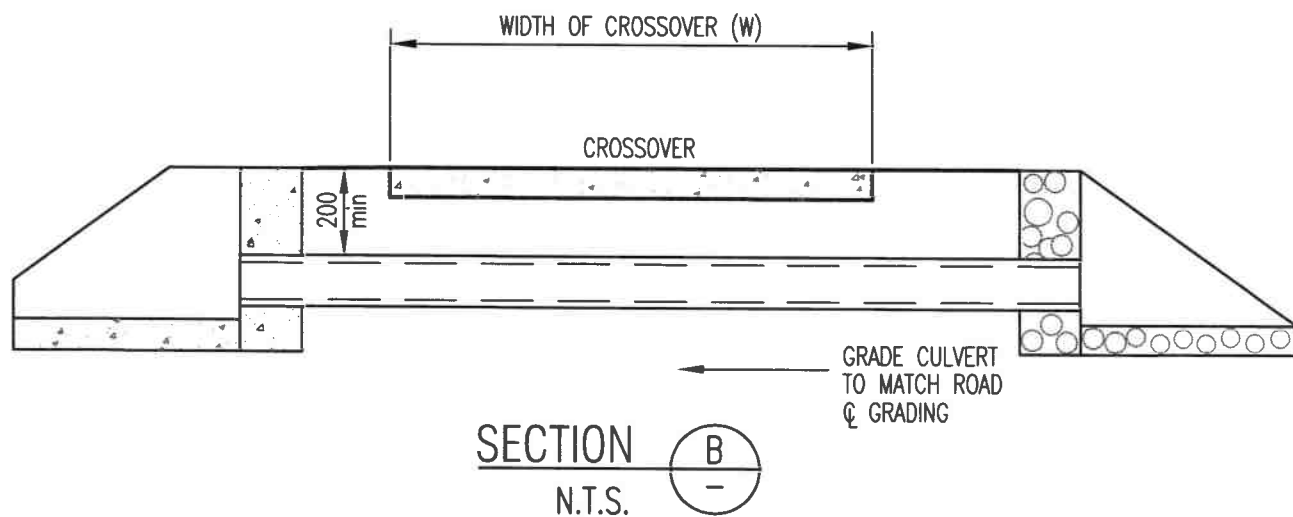


No	REVISION	BY	DATE	AUTH
0.	ISSUED	J.W.T.	8/2001	
1.	UPDATED TITLE BLOCK BRAND	K.R.	7/2022	P.W.



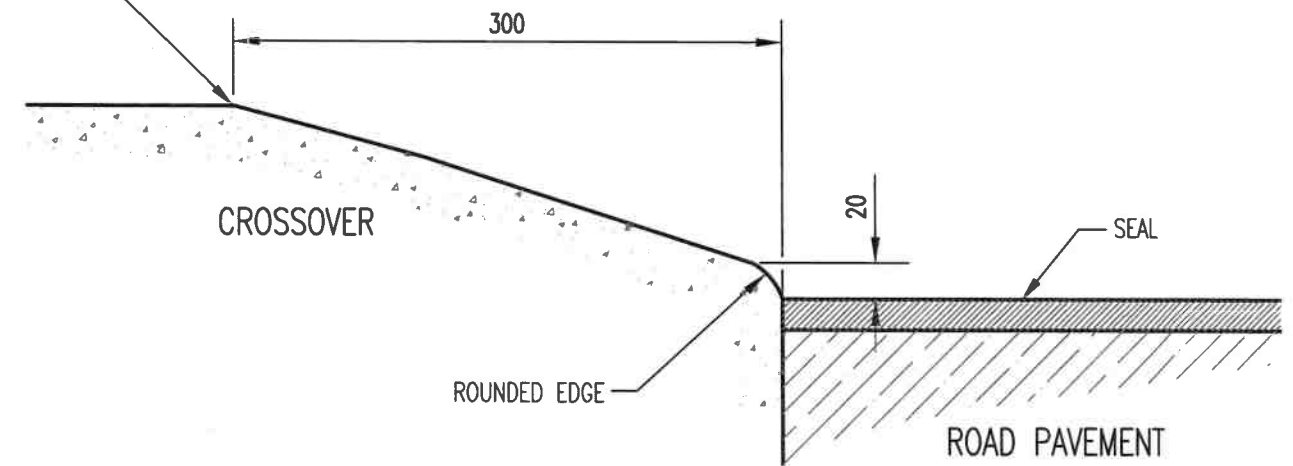
RURAL CROSSOVER LAYOUT

SCALE 1:100



SECTION B
N.T.S.

THE LEVEL OF TOP OF CONCRETE TO MATCH THE ϕ LEVEL OF THE ROAD



SECTION A
N.T.S.

TABLE
(DISTANCES SHOWN IN METRES)

CROSSOVER	W	3.0 (MIN.)	4.0	5.0	6.0	7.0	7.5
ALONG ROAD	R	3.0	2.5	2.0	1.0	1.0	1.0
INTO VERGE	V	4.0	2.5	1.5	1.0	1.0	1.0

SIZE OF WINGS

NOTES:

- CULVERT AND PIPE TO BE INSTALLED BY COUNCIL UNLESS OTHERWISE AGREED.
- ROAD SHOULDER TO BE SEALED BY COUNCIL.
- ALTERNATIVE HEADWALL TREATMENT:-
 - PRECAST CONCRETE OR
 - 200mm ϕ STONE / ROCK WALL OR MASONRY USING 6:1 SAND / CEMENT MORTAR.

SCALE: 1:100		DATUM: N/A	GRID: N/A
DESIGNED: C.O.W. CIVIL DESIGNER	DESIGN CHECKED:	APPROVED: * B. McCAWLEY COORDINATOR ASSET PLANNING SERVICES 28/7/2022	
DRAWN: C.O.W. CIVIL DESIGNER	DESIGN ARCHIVE:	APPROVED: * B. CHANG MANAGER ASSET PLANNING 1/8/2022	
DRAWING ARCHIVE:	STANDARDS CHECK: * J. SONG TRANSPORT & DRAINAGE ASSET PLANNER 1/8/2022	APPROVED: * B. GEE DIRECTOR ASSETS 1/8/2022	

CROSSOVERS AND VERGE
STANDARD RURAL CROSSOVER
DETAILS

CITY OF WANNEROO
ASSETS



FILE No. N/A	DRAWING No. SHEET REVISION	ORIGINAL DRG. SIZE
PROJECT No. N/A	TS 07 -10-1	A3

STANDARD