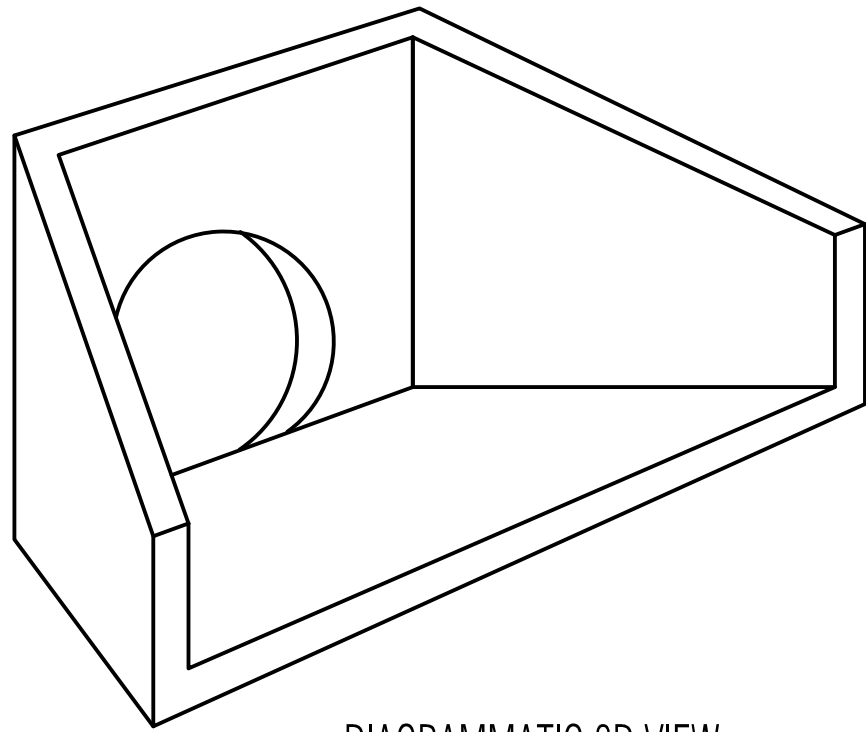


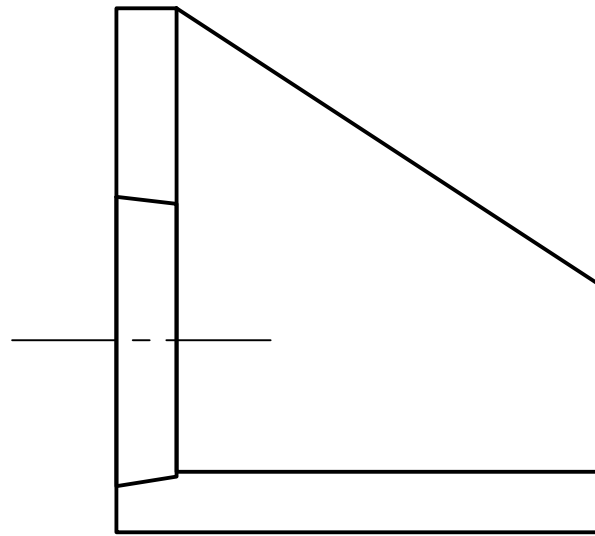
No	REVISION	BY	DATE	AUTH
0.	ISSUED	J.W.T.	8/2001	
1.	RE-DRAWN TO REFLECT NEW TYPE	D.N.	3/2018	Z.K.



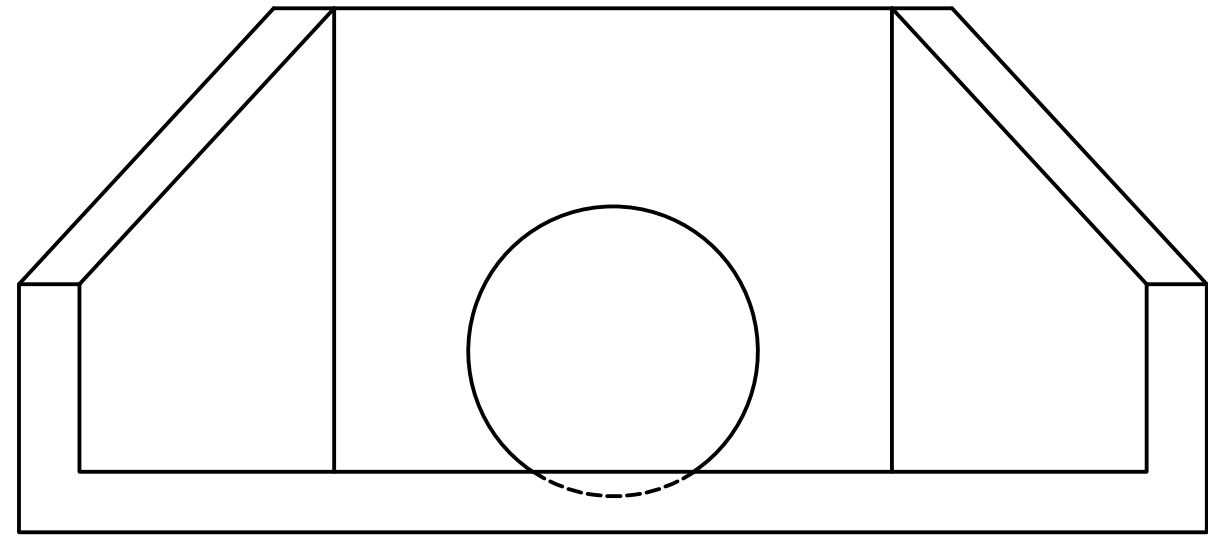
DIAGRAMMATIC 3D VIEW

NOTES:

1. ALL COMPONENTS TO BE DESIGNED TO ACCEPT A14 LOADING AUSTRROADS STANDARDS
2. MOTAR TO BE 3:1 SAND/CEMENT MIXTURE
3. BASE TO BE BEDDED ON COMPACTED SAND
4. INSITU CONCRETE TO HAVE MIN. STRENGTH OF 32 MPa AT 28 DAYS.



SIDE ELEVATION



END ELEVATION

* INDICATES SIGNATURES ON ORIGINAL ISSUE OF DRAWING.

DATUM: N/A	GRID: N/A	SURVEYOR: N/A	DESIGNED: C.O.W.	APPROVED: * T. QUINN 8/8/2001 COORDINATOR
SCALE: 1:10 100 0 100 200 300 400 SCALE IN MILLIMETRES			DRAWN: C.O.W.	APPROVED: * R. KORENHOF 8/8/2001 MANAGER INFRASTRUCTURE
DESIGN ARCHIVE:		DESIGN CHECKED:	APPROVED:	
DRAWING ARCHIVE: *\FINAL STANDARD DRAWINGS		DESIGNER	APPROVED: * D. BLAIR 8/8/2001 DIRECTOR TECHNICAL SERVICES	
		STANDARDS/DOCUMENT CONTROL: * J. TRIMMER 8/8/2001 INFRASTRUCTURE TECHNICAL OFFICER		

DRAINAGE HEADWALL DETAILS	
LOCALITY	STANDARD

CITY OF WANNEROO TECHNICAL SERVICES				
INFRASTRUCTURE SERVICES				
FILE No.	DRAWING No	SHEET	REVISION	ORIGINAL DRG.SIZE
	TS 03 - 2 - 1			A3