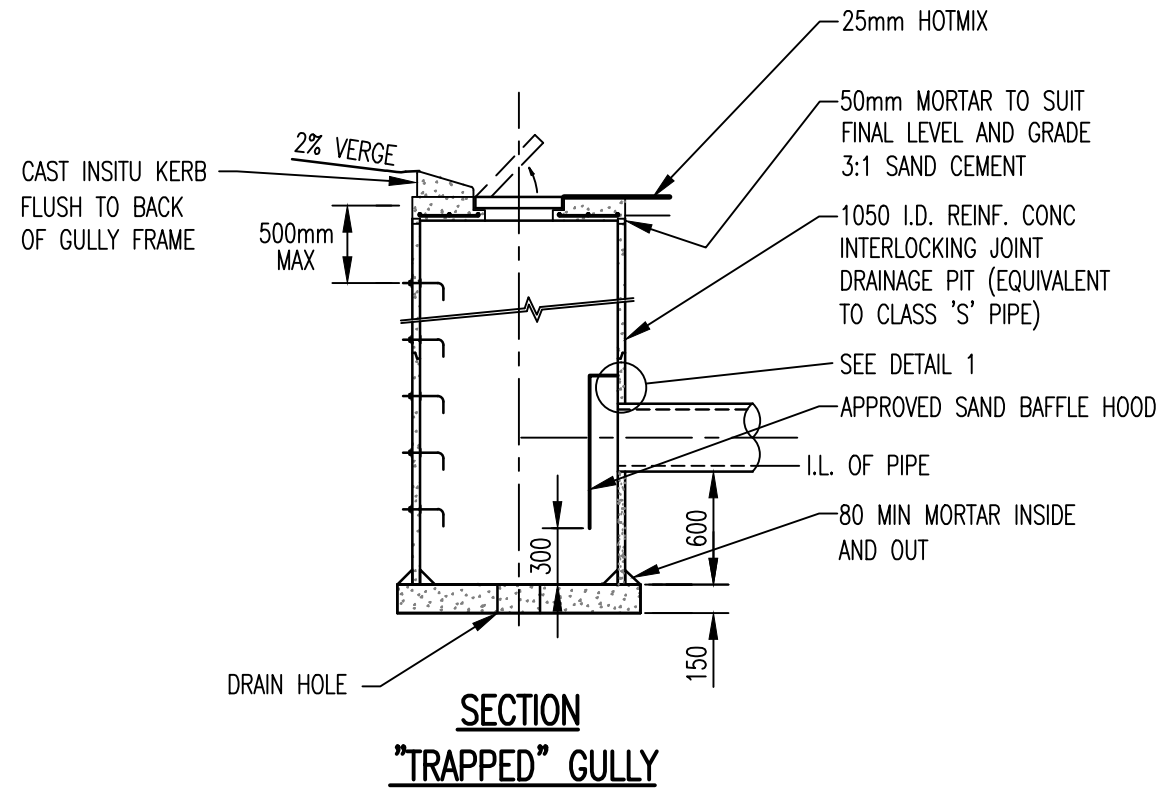
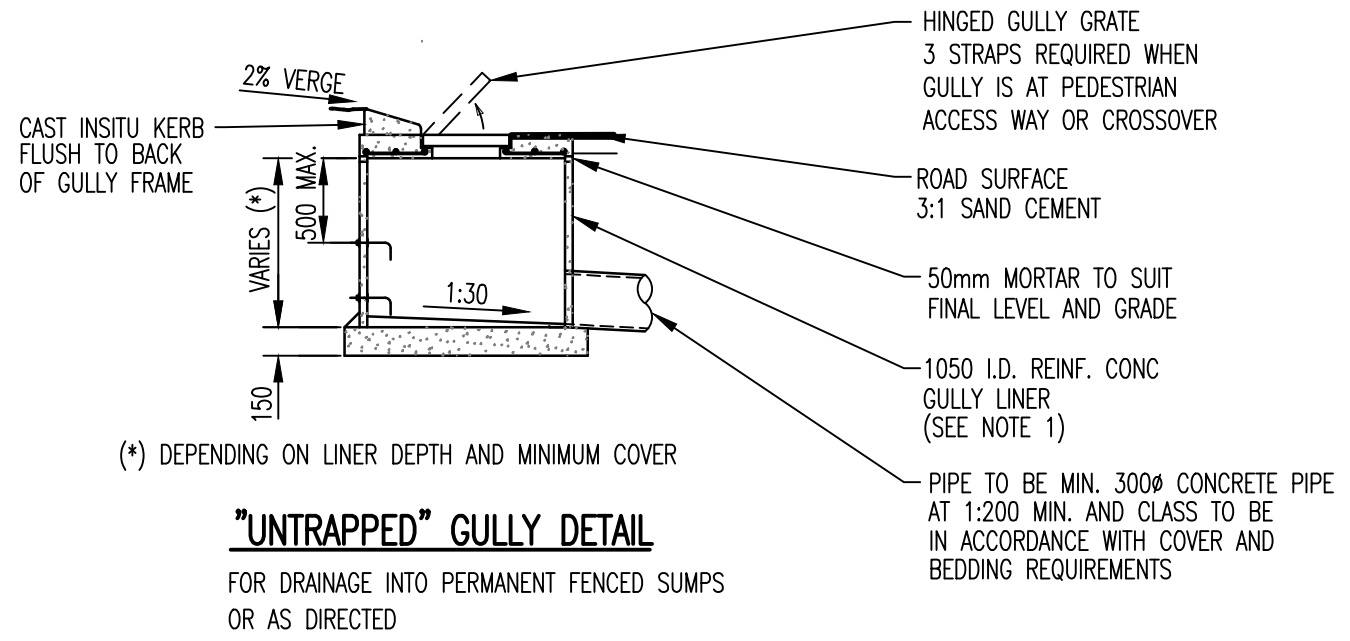


No	REVISION	BY	DATE	AUTH
0.	ISSUED	J.W.T.	8/2001	
1.	DIMENSION AMENDED AND NOTE 8 ADDED	D.N.	6/2019	B.C.



**SECTION
"TRAPPED" GULLY**

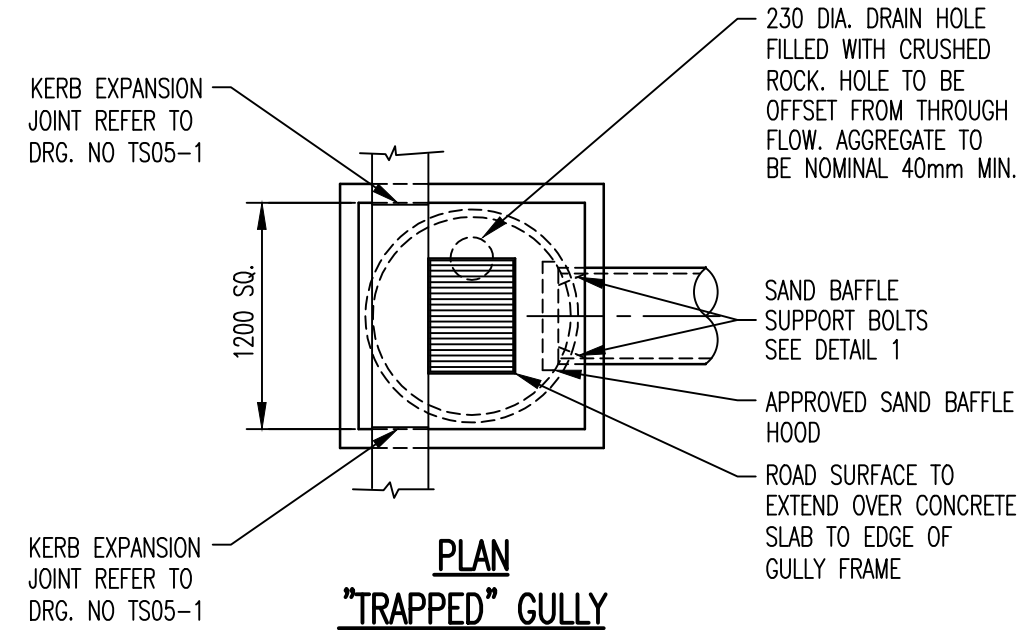


"UNTRAPPED" GULLY DETAIL

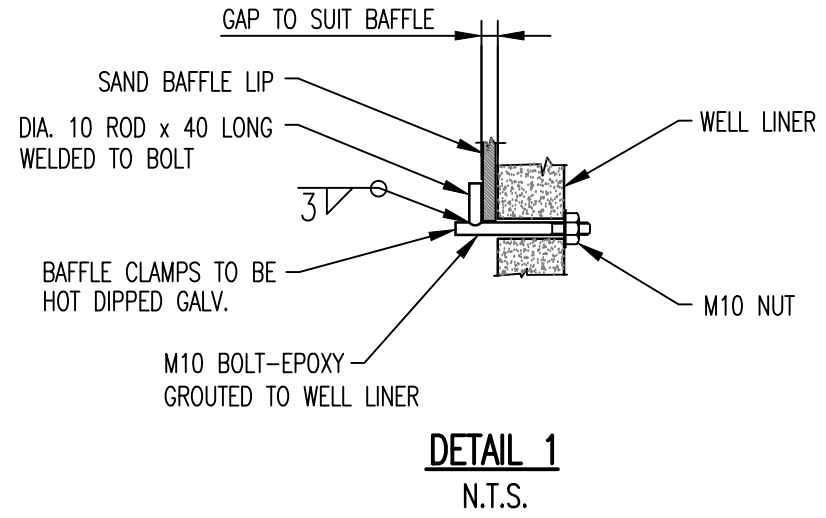
FOR DRAINAGE INTO PERMANENT FENCED SUMPS OR AS DIRECTED

NOTES:

- GULLY LINER SHALL BE INTERLOCKING JOINT AND SPUN REINFORCED CONCRETE LINER OR EQUIVALENT TO CLASS 2 PIPE
- STEP IRONS NOT REQUIRED IN GULLIES WITH DEPTH 1000mm OR LESS FROM THE TOP OF THE GRATE TO BASE OF GULLY.
- CONCRETE SHALL BE MINIMUM 20MP_a COMPRESSIVE STRENGTH AT 28 DAYS.
- FINISHED CONCRETE SURFACES SHALL NOT EXCEED THE TOLERANCES FOR CLASS 4 FORMWORK AS SPECIFIED IN AS 1510 PT.1-1974 CONTROL OF CONCRETE SURFACES-FORMWORK.
- PRECAST UNITS SHALL BE USED ONLY WITH THE COUNCIL'S APPROVAL.
- ALL PIPES SHALL BE CLASS 2(MIN.) SPUN REINFORCED CONCRETE.
- USE OF TRAPPED GULLIES SUBJECT TO PRIOR APPROVAL FROM THE CITY. USE ONLY IN SPECIAL CIRCUMSTANCES.
- LOCATION OF STEP IRON SHALL BE TOWARD TRAFFIC FLOW DIRECTION.



**PLAN
"TRAPPED" GULLY**



**DETAIL 1
N.T.S.**

DATUM: N/A	GRID: N/A	SURVEYOR: N/A	DESIGNED: C.O.W.	APPROVED: * T. QUINN 8/8/2001
SCALE: 1:40	SCALE IN MILLIMETRES		DRAWN: C.O.W.	COORDINATOR
DESIGN ARCHIVE:	DESIGN CHECKED:	DESIGNER	* R. KORENHOF 23/8/2001	MANAGER INFRASTRUCTURE
DRAWING ARCHIVE: * FINAL STANDARD DRAWINGS	STANDARDS/DOCUMENT CONTROL: * J. TRIMMER 8/8/2001	INFRASTRUCTURE TECHNICAL OFFICER	* D. BLAIR 23/8/2001	DIRECTOR TECHNICAL SERVICES

**DRAINAGE
GULLY / DRAINAGE PIT
TRAPPED AND UNTRAPPED**

LOCALITY STANDARD

**CITY OF WANNEROO
TECHNICAL SERVICES**

INFRASTRUCTURE SERVICES

FILE No.	DRAWING No	SHEET	REVISION	ORIGINAL DRG.SIZE
	TS 03 - 5 - 1			A3