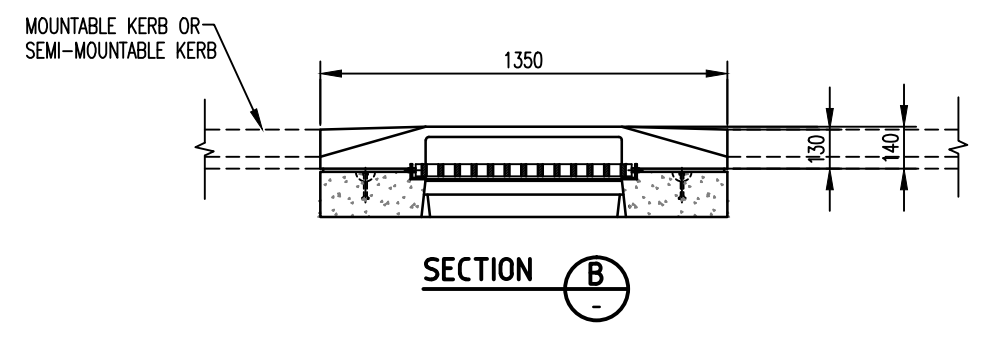
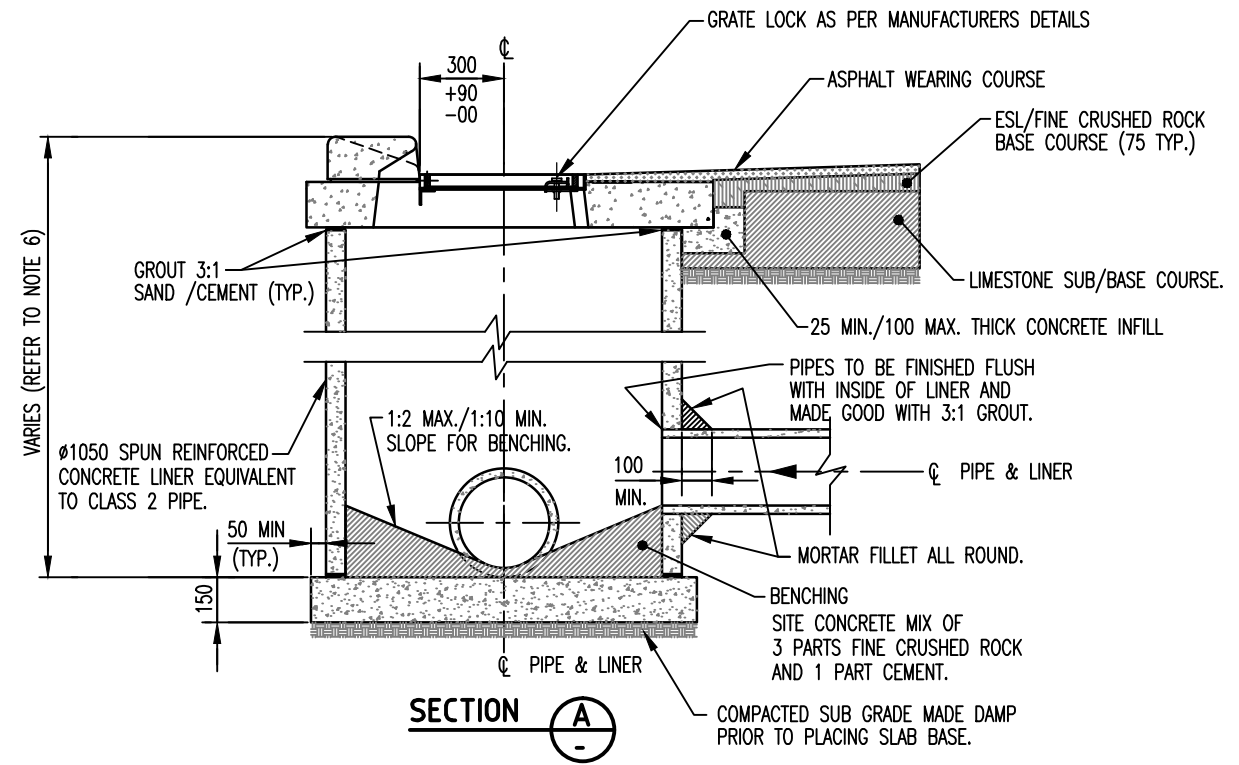
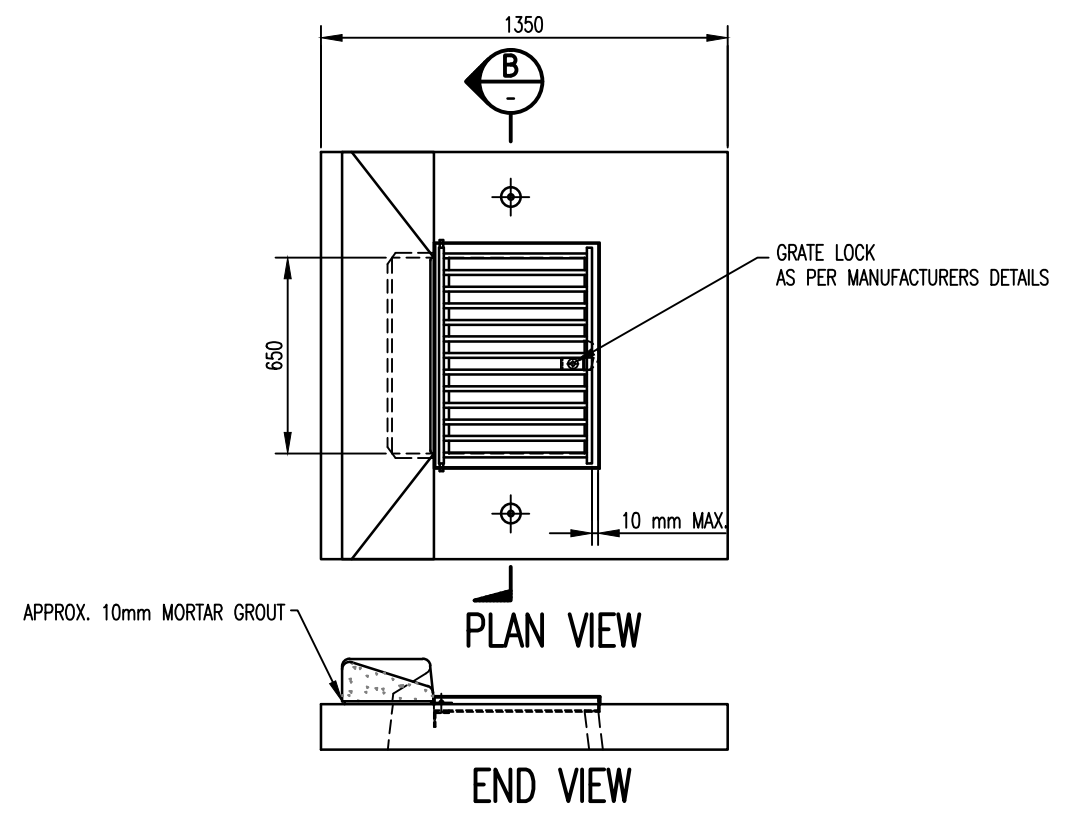
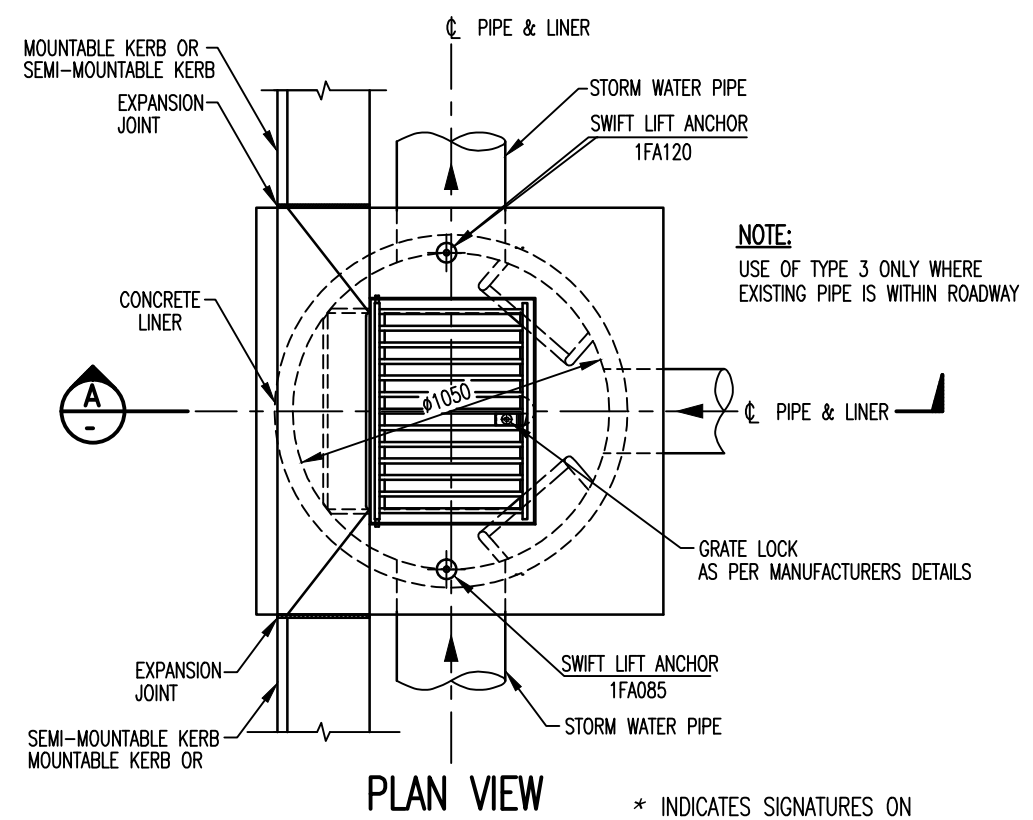


No	REVISION	BY	DATE	AUTH
0.	ISSUED	J.W.T.	8/2001	
1.	AMENDED NOTES, REMOVED GRATE LOCK DETAILS, NOTE 5 & 6 ADDED	D.N.	6/2019	B.C.



- NOTES:**
1. ALL COMPONENTS TO BE DESIGNED TO A14 TRAFFIC LOADINGS 40KN.
  2. STEP IRONS REQUIRED IF DISTANCE BETWEEN BASE AND FINISHED GROUND LEVEL IS GREATER THAN 1.0 METRE.
  3. GRATE LOCK AS PER MANUFACTURERS DETAILS. REFER TO MAIN ROAD WA DRAWING No. 200231-118 FOR GRATE AND FRAME DETAILS.
  4. ALL WELDS TO BE 5 C.F.W. U.O.N.
  5. STEP IRON TOWARDS TRAFFIC DIRECTION
  6. DEPTH VARIES DEPENDING ON COVER REQUIREMENTS



DATUM: N/A	GRID: N/A	SURVEYOR: N/A	DESIGNED: C.O.W.	APPROVED: * T. QUINN 8/8/2001
SCALE: 1:25	SCALE IN MILLIMETRES 250 0 250 500 750 1000		DRAWN: C.O.W.	COORDINATOR
DESIGN ARCHIVE:	DESIGN CHECKED:	DESIGNER	* R. KORENHOF 8/8/2001 MANAGER INFRASTRUCTURE	APPROVED:
DRAWING ARCHIVE: *FINAL STANDARD DRAWINGS	STANDARDS/DOCUMENT CONTROL: * J. TRIMMER 8/8/2001 INFRASTRUCTURE TECHNICAL OFFICER	* D. BLAIR 8/8/2001 DIRECTOR TECHNICAL SERVICES		

**DRAINAGE**  
SIDE ENTRY PIT - TYPE 3  
COMBINATION SIDE ENTRY PIT & GRATED ENTRY  
CONSTRUCTION DETAILS

LOCALITY: STANDARD

**CITY OF WANNEROO**  
**TECHNICAL SERVICES**

**INFRASTRUCTURE SERVICES**

FILE No.	DRAWING No	SHEET	REVISION	ORIGINAL DRG.SIZE
	TS 03 - 9 - 1			A3