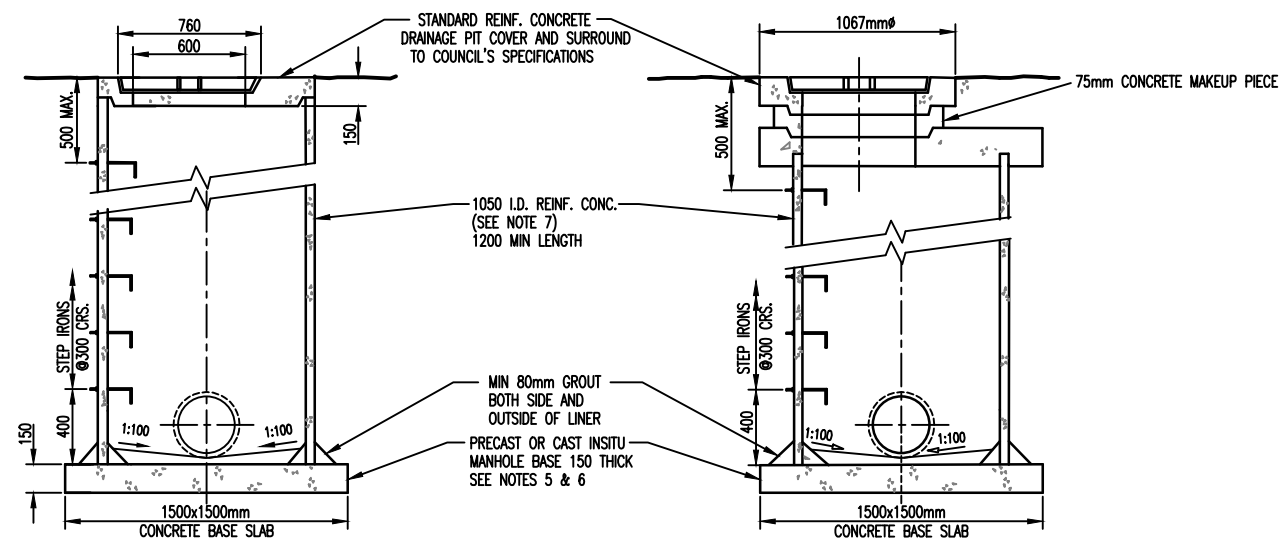
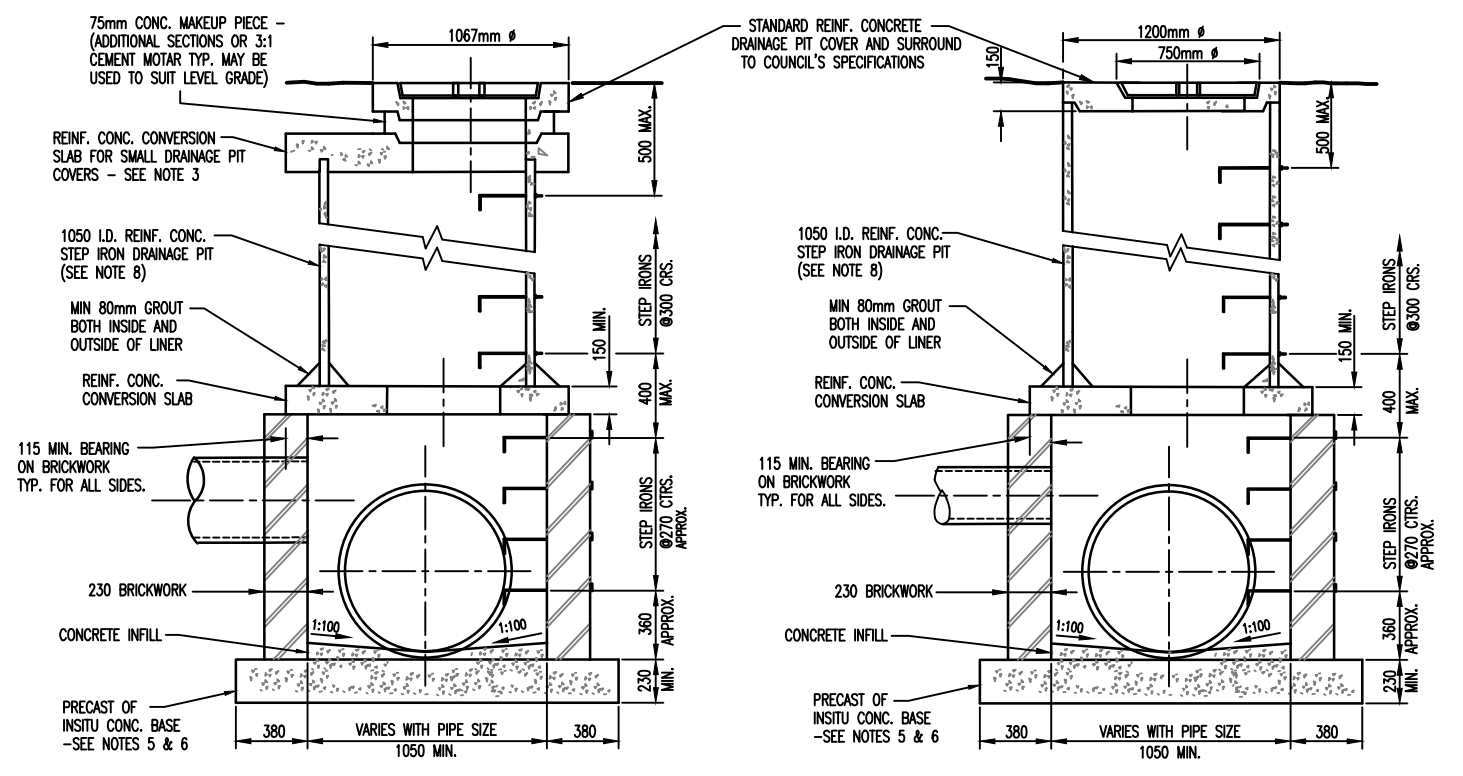
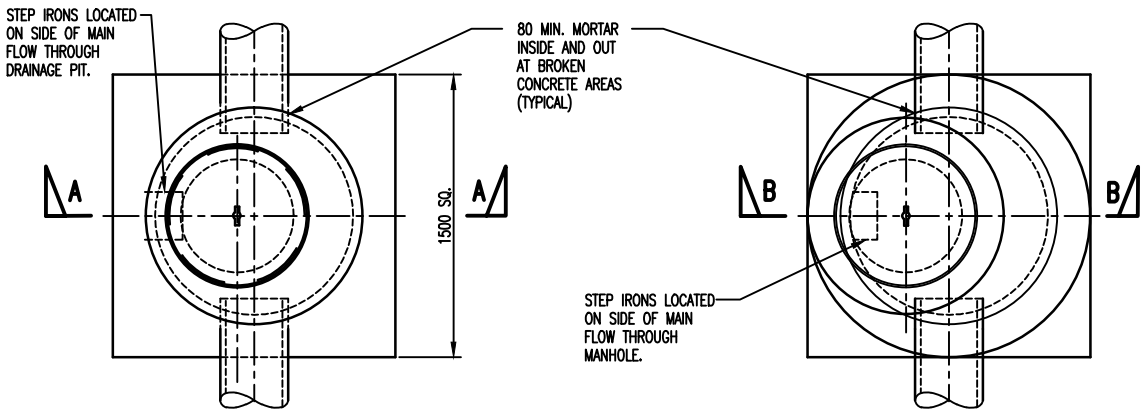
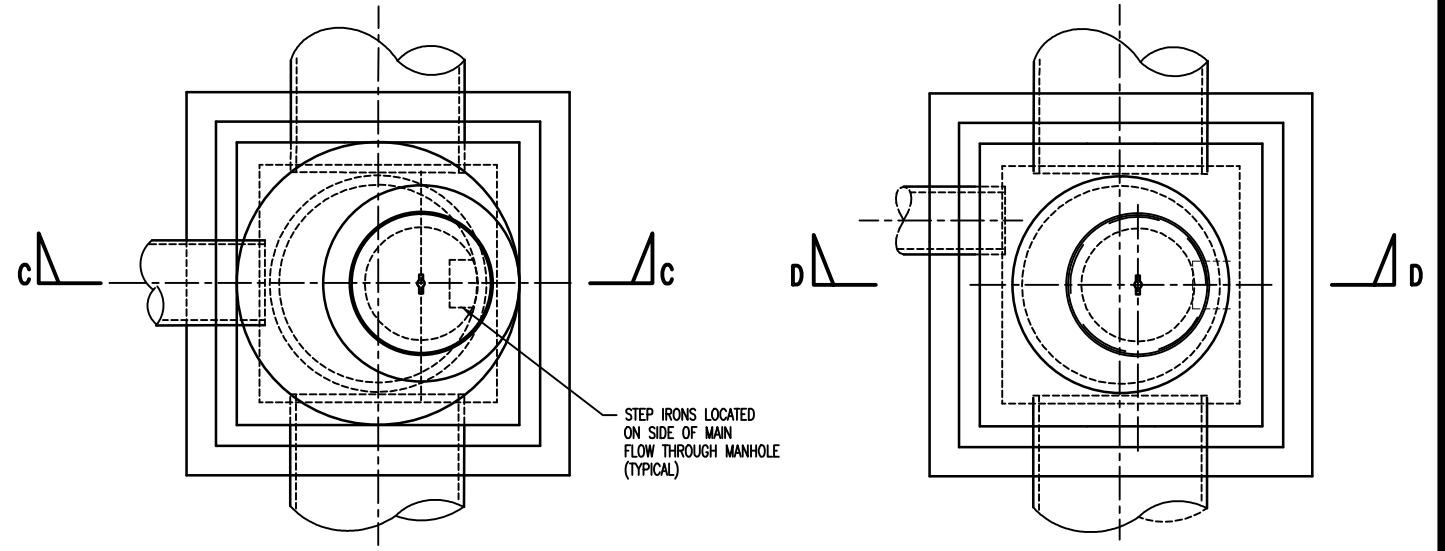
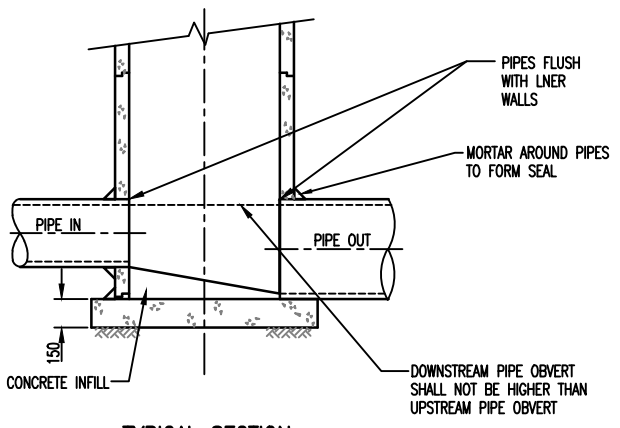


No	REVISION	BY	DATE	AUTH
0.	ISSUED	J.W.T.	8/2001	
1.	NOTE AMENDED, SECTION REMOVED	T.T.	3/2006	B.C.
2.	NOTE 9 ADDED	D.N.	6/2019	B.C.

- NOTES:**
- STEP IRONS NOT REQUIRED IN MANHOLES WITH A DEPTH LESS THAN 1000mm FROM THE TOP OF THE DRAINAGE PIT TO THE BASE.
 - STANDARD GALVANISED STEP IRONS TO BE USED WHEN THE DISTANCE BETWEEN THE DRAINAGE PIT BASE AND FINISHED GROUND LEVEL EXCEEDS 1000mm.
 - ALL COMPONENT TO BE DESIGNED TO ACCEPT A14 LOADING AUSTRROADS STANDARDS.
 - MORTAR TO BE 3:1 SAND:CEMENT MIXTURE
 - ALL BASES TO BE BEDDED ON COMPACTED SAND.
 - INSITU CONCRETE TO HAVE MIN. STRENGTH OF 20MPa AT 28 DAYS.
 - DRAINAGE PIT SHALL BE INTERLOCKING JOINT, AND SPUN REINFORCED CONCRETE LINER OR EQUIVALENT TO CLASS 2 PIPE.
 - FOR DETAILS OF STEP IRONS REFER TO CSR WEMBLEY CEMENT MANUFACTURES SPECIFICATION DRAWINGS.
 - 300mm OF CLEAR DISTANCE SHALL BE MAINTAINED BETWEEN CONNECTING PIPES WITHIN PIT.



DRAINAGE PIT DETAILS
PIPES 300 - 750mm

BRICK DRAINAGE PIT DETAILS - WITH CONVERSION SLAB AND CHAMBER
PIPES LARGER THAN 750mm

* INDICATES SIGNATURES ON ORIGINAL ISSUE OF DRAWING.

DATUM: N/A	GRID: N/A	SURVEYOR: N/A	DESIGNED: C.O.W.	APPROVED: * T. QUINN 8/8/2001
SCALE: 1:40	SCALE IN MILLIMETRES		DRAWN: C.O.W.	COORDINATOR
DESIGN ARCHIVE:	DESIGN CHECKED:	DESIGNER	APPROVED: * R. KORENHOF 23/8/2001	MANAGER INFRASTRUCTURE
DRAWING ARCHIVE: * FINAL STANDARD DRAWINGS	STANDARDS/DOCUMENT CONTROL: * J. TRIMMER 8/8/2001	INFRASTRUCTURE TECHNICAL OFFICER	APPROVED: * D. BLAIR 23/8/2001	DIRECTOR TECHNICAL SERVICES

DRAINAGE DRAINAGE PIT CONSTRUCTION DETAILS

LOCALITY STANDARD

**CITY OF WANNEROO
TECHNICAL SERVICES**



INFRASTRUCTURE SERVICES

FILE No.	DRAWING No	SHEET	REVISION	ORIGINAL DRG. SIZE
	TS 03 - 3 - 2			A3