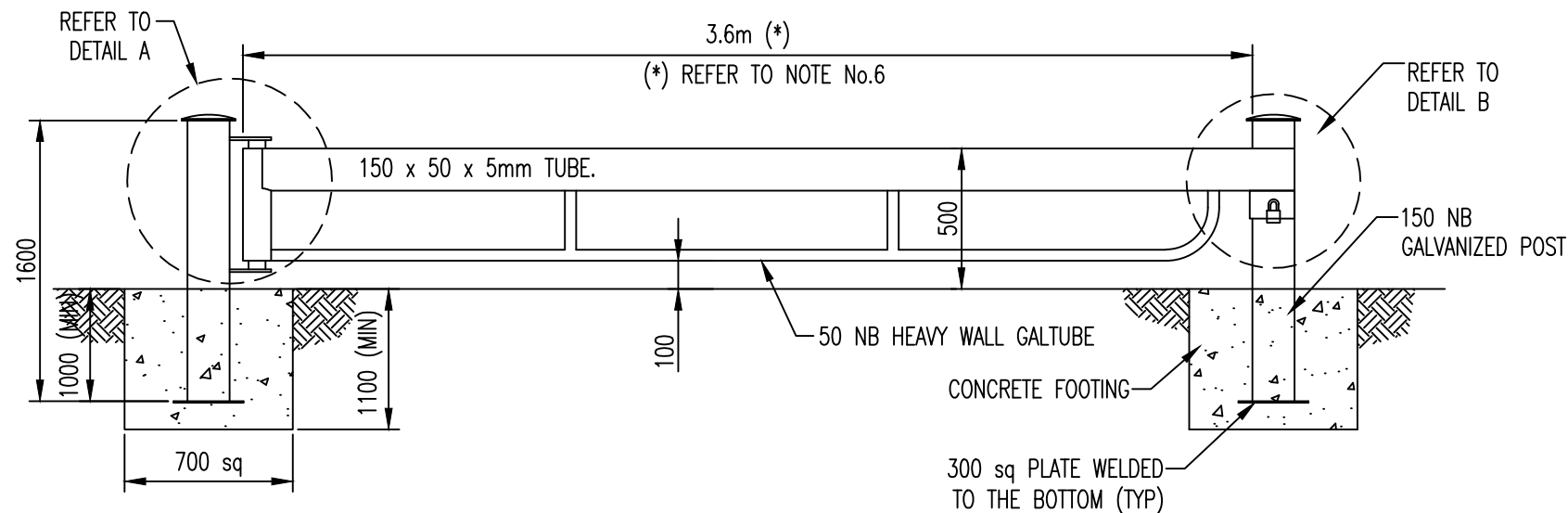
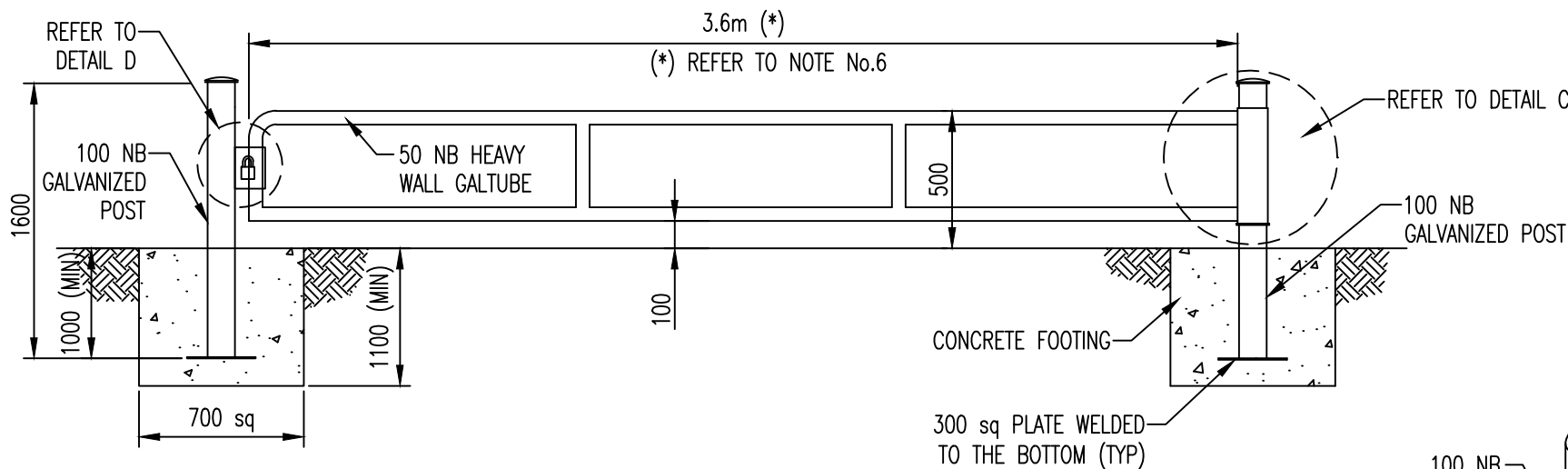


No.	REVISION	BY	DATE	AUTH
0	ISSUED		02/2015	



RESTRICTED VEHICLE ACCESS GATE OPTION 1
NOT TO SCALE

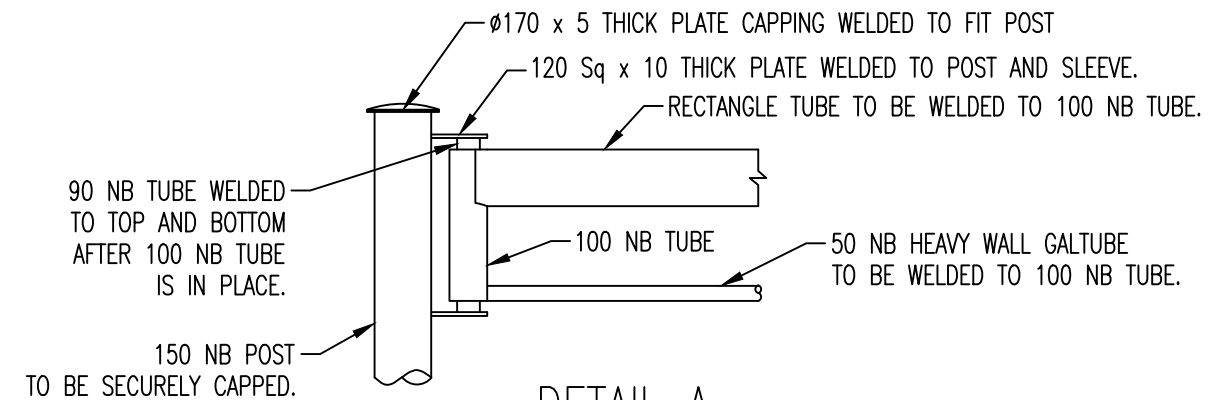


RESTRICTED VEHICLE ACCESS GATE OPTION 2
NOT TO SCALE

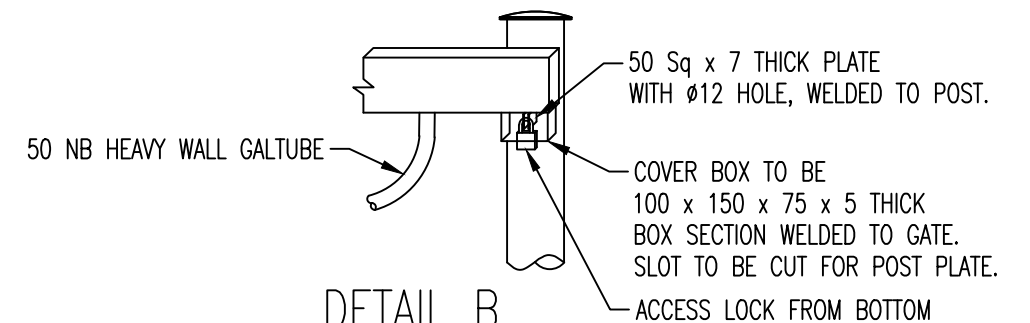
NOTES:

- ALL TUBING TO BE GALVANIZED STEEL.
- ALL STEEL POSTS TO BE SECURELY CAPPED.
- ALL WELDS TO BE POWER WIRE BRUSHED AND COLD GALVANIZED.
- ALL DIMENSIONS IN MILLIMETRES UNLESS OTHERWISE SHOWN.
- MESH TO BE METRIC MESH 46G5 AND GALVANIZED FINISHED COMPLETE WITH FITTINGS.
- A 3.9m GATE SHALL ONLY BE INSTALLED WHEN THE INTERNAL VEHICLE TRACK DOES NOT RUN PERPENDICULAR TO THE GATE
- LOCATION, ALL GATES WITH WIDTHS LARGER THAN 3.9M SHALL ONLY BE CONSIDERED IN EXCEPTIONAL CIRCUMSTANCES AND TECHNICAL SPECIFICATIONS WILL REQUIRE APPROVAL PRIOR TO INSTALLATION.
- CONCRETE FOOTINGS TO BE GRADE N32 TO AS 1379
- ALL GALVANISED STEEL TO MEET AS/NZS 4792 FOR HOT-DIP GALVANISED (ZINC) COATING ON FABRICATED FERROUS ARTICLES
- ALL POSTS WITH FOOTINGS SHALL HAVE A WALL THICKNESS OF 5mm.
- COVERED LOCKBOX OF OPTION 1 & 2 ONLY OPEN AT BASE.

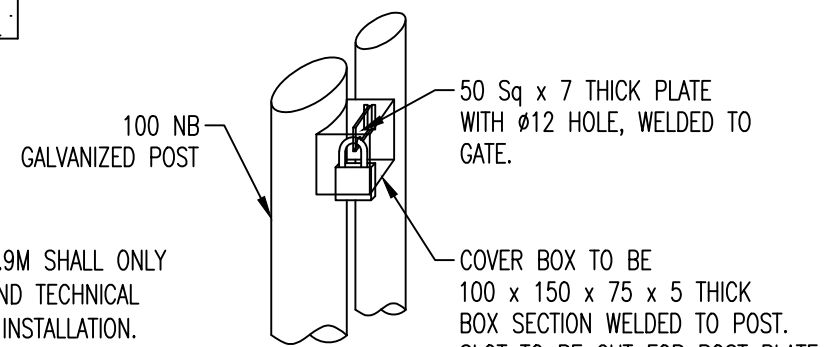
* INDICATES SIGNATURES ON ORIGINAL ISSUE OF DRAWING.



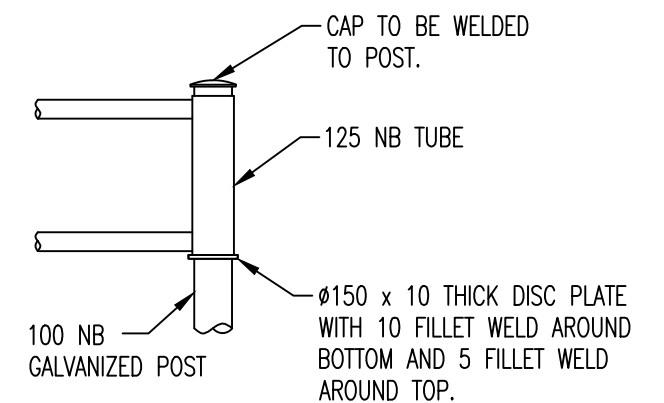
DETAIL A
SCALE 1:20



DETAIL B
SCALE 1:20



DETAIL D
SCALE 1:10



DETAIL C
SCALE 1:20

SCALE: NOT TO SCALE, UNLESS SHOWN		CHECKED: * P.WILLIAMS COORDINATOR DESIGN 11/2/2015
SURVEYED: N/A SURVEYOR 2015	DATUM: N/A	AUTHORISED: * B.CHANG A/MANAGER ASSETS MANAGEMENT 11/2/2015
DESIGNED: C.O.W CIVIL PROJECTS DESIGNER 2015	GRID: N/A	AUTHORISED: * G.CHETTLEBURGH MANAGER PARKS AND RESERVES 11/2/2015
DRAWN: C.O.W 2015		APPROVED: * H.SINGH A/DIRECTOR INFRASTRUCTURE 16/2/2015

FENCING
GATE DETAILS
RESTRICTED VEHICLE ACCESS GATE

STANDARD

CITY OF WANNEROO
INFRASTRUCTURE



FILE No. N/A	DRAWING No.	SHEET	REVISION	ORIGINAL DRG. SIZE
PROJECT No. N/A	TS 01-14-0			A3