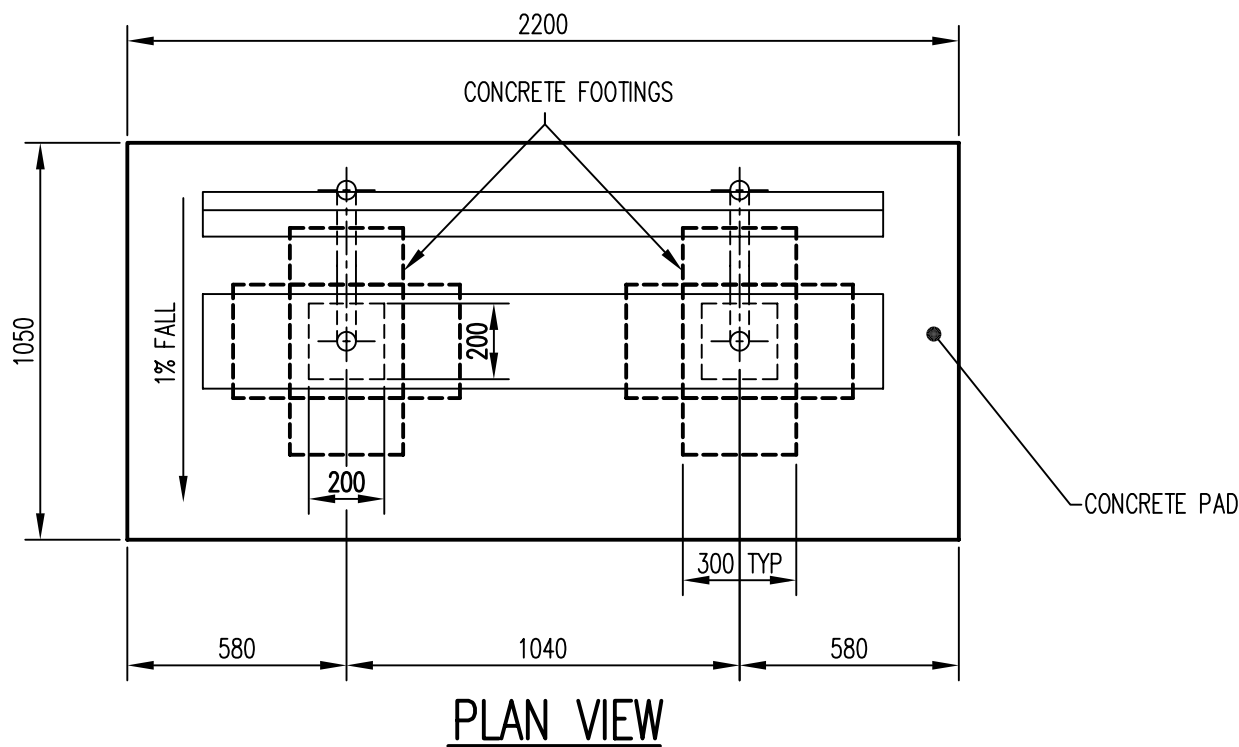
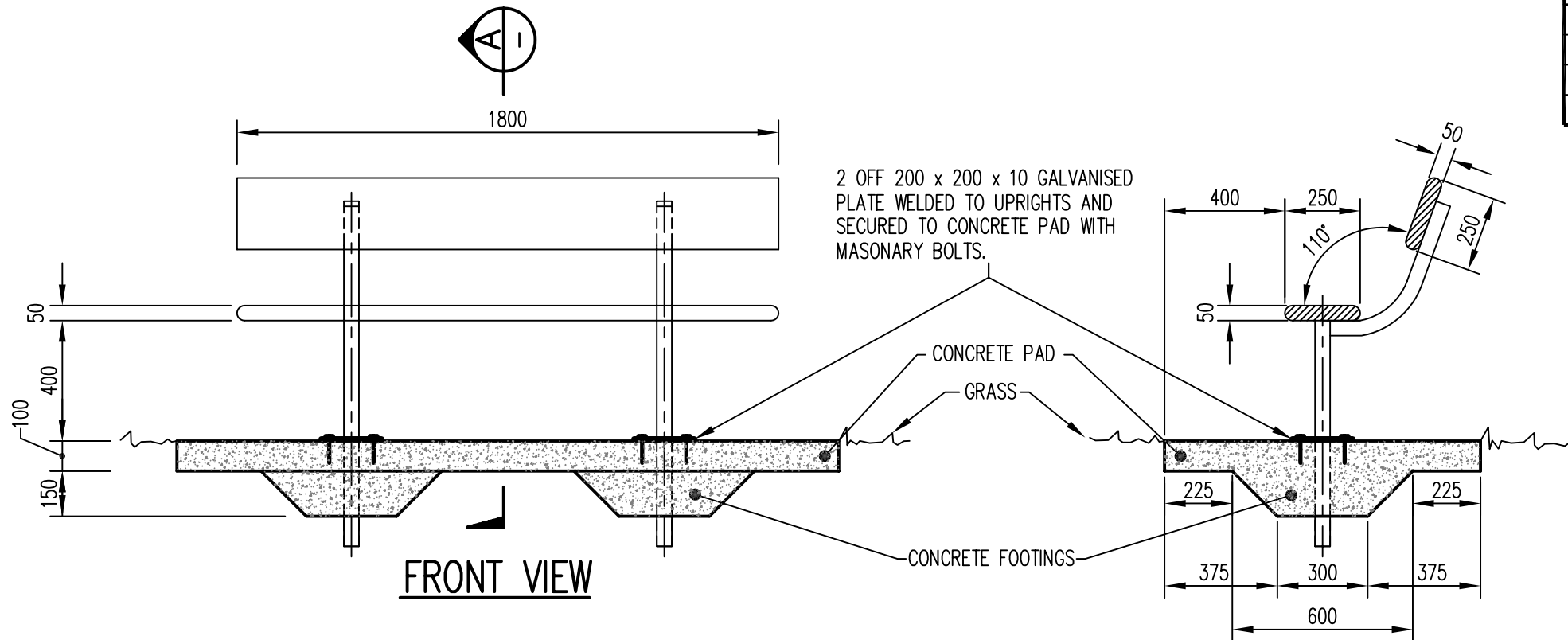


No	REVISION	BY	DATE	AUTH
0.	ISSUED	J.W.T.	4/02	
1.	AMENDED TO SHOW NEW CONCRETE PAD DESIGN.	J.W.T.	11/02	



**NOTES:**


1. CONCRETE SHALL COMPLY WITH AS1379-1991 AND THE SPECIFICATIONS OF THE CITY OF WANNEROO FOR THE CONSTRUCTION OF CONCRETE FOOTPATHS AND DUAL USE PATHS WITHIN THE CITY.
2. CONCRETE SHALL HAVE A MINIMUM COMPRESSIVE STRENGTH OF 20mpa AT 28 DAYS.
3. SETTING OUT, FRAMEWORK, BOXING OUT AND DISPOSAL OF SURPLUS IS THE CONTRACTOR'S RESPONSIBILITY.
4. CONCRETE TO BE FINISHED FLUSH WITH ADJACENT PAVING OR TURF.
5. CONCRETE SURFACES TO BE A NON SLIP FINISH.
6. EDGES OF CONCRETE PAD TO BE POLISHED SMOOTH AND FINISHED WITH AN EDGER.
7. TOP OF FOOTINGS TO BE 100mm BELOW GROUND LEVEL TO ACCOMMODATE EITHER TURF, PAVING OR CONCRETE SURFACING.

\* INDICATES SIGNATURES ON ORIGINAL ISSUE OF DRAWING.

DATUM: -	GRID: -	SURVEYOR: -	DESIGNED: C.O.W.	APPROVED: * J. SMITH 6/5/2002
SCALE: 1:20 200 0 200 400 600 800 SCALE IN MILLIMETRES			DRAWN: C.O.W.	COORDINATOR
DESIGN ARCHIVE:			DESIGN CHECKED: * K. ASHTON 6/5/2002	APPROVED: * R. KORENHOF 6/5/2002
DRAWING ARCHIVE: * FINAL STANDARD DRAWINGS			DESIGNER	MANAGER INFRASTRUCTURE
			STANDARDS/DOCUMENT CONTROL: * J. TRIMMER 6/5/2002	APPROVED: * D. BLAIR 6/5/2002
			INFRASTRUCTURE TECHNICAL OFFICER	DIRECTOR TECHNICAL SERVICES

**BENCH SEATING INSTALLATION  
FOOTING DETAILS**

**CITY OF WANNEROO  
TECHNICAL SERVICES**



**INFRASTRUCTURE SERVICES**

FILE No.	DRAWING No	SHEET	REVISION	ORIGINAL DRG. SIZE
	<b>TS 04 - 5 - 1</b>			<b>A3</b>

LOCALITY STANDARD