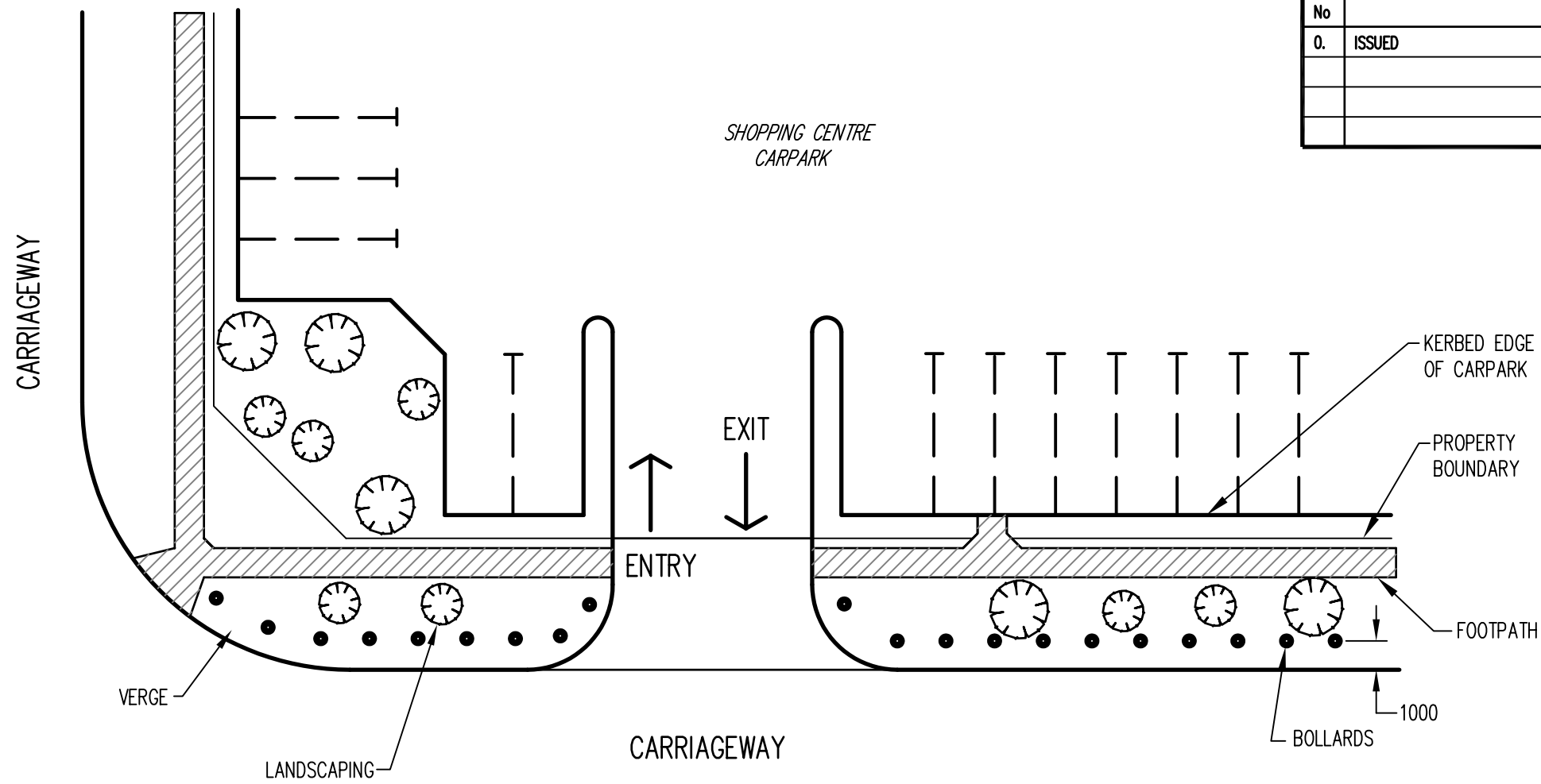
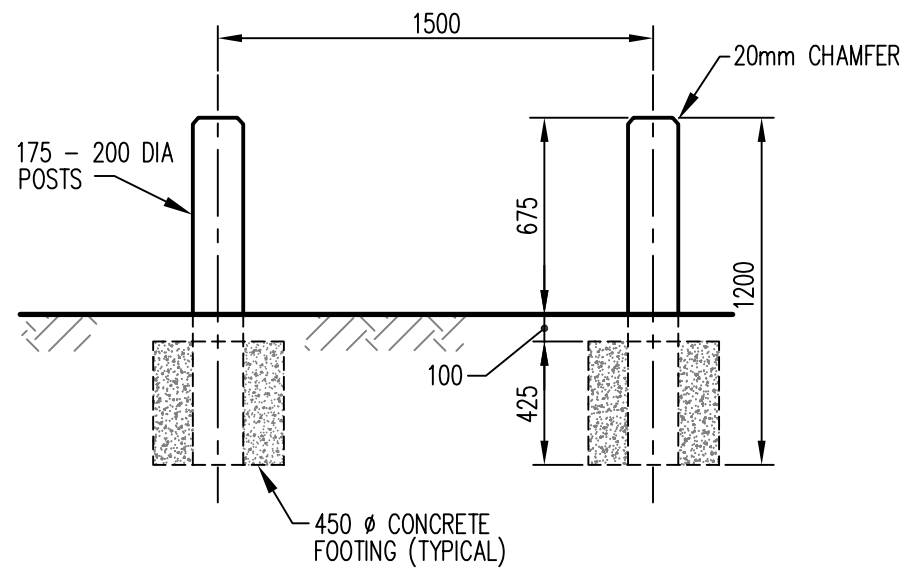


No	REVISION	BY	DATE	AUTH
0.	ISSUED	J.W.T.	8/2001	



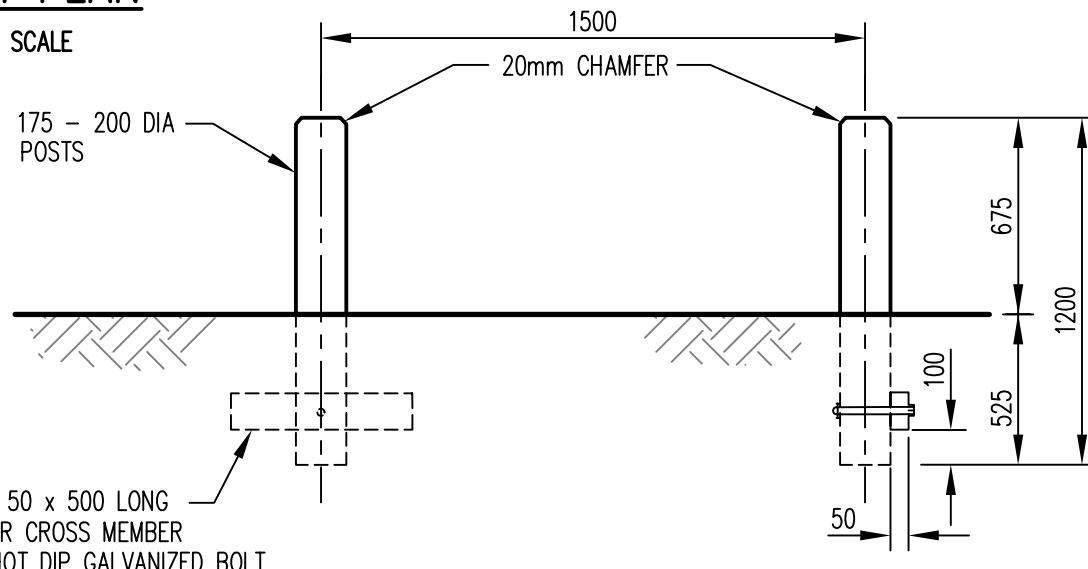
LAYOUT PLAN

NOT TO SCALE



CONCRETE FOOTING

NOT TO SCALE



TIMBER STRUT

NOT TO SCALE

NOTES:

- BOLLARDS ARE TO PROTECT LANDSCAPING AND PROHIBIT VERGE PARKING.
- LANDSCAPING TO HAVE 600-2400mm CLEAR ZONE ABOVE PAVEMENT FOR UNOBSTRUCTED SIGHTLINE TO VEHICLES AND PEDESTRIANS.
- CAUTION:**
THE INSTALLATION OF BOLLARDS SHOULD NOT INTERFERE WITH EXISTING SERVICES INCLUDING STORMWATER DRAINAGE. INSTALLER IS RESPONSIBLE FOR CONTACTING SERVICES AUTHORITIES TO DETERMINE LOCATIONS AND DEPTHS OF SERVICES PRIOR TO BOLLARD INSTALLATION.
- ALL POSTS SHALL BE TANOLITH TREATED PINE.
- CONCRETE TO HAVE MINIMUM COMPRESSIVE STRENGTH OF 20MPa AT 28 DAYS.

* INDICATES SIGNATURES ON ORIGINAL ISSUE OF DRAWING.

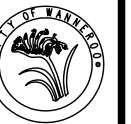
ALTERNATIVE INSTALLATIONS

DATUM: N/A	GRID: N/A	SURVEYOR: N/A	DESIGNED: C.O.W	APPROVED: * T. QUINN 8/8/2001
SCALE: DIAGRAMMATIC			DRAWN: C.O.W	COORDINATOR
DESIGN ARCHIVE:			DESIGN CHECKED:	* R. KORENHOF 23/8/2001
DRAWING ARCHIVE: * IANL STANDARD DRAWINGS			DESIGNER	APPROVED: * D. BLAIR 23/8/2001
			STANDARDS/DOCUMENT CONTROL: * J. TRIMMER 8/8/2001	DIRECTOR TECHNICAL SERVICES
			INFRASTRUCTURE TECHNICAL OFFICER	

LANDSCAPING
VERGE BOLLARDS
INDUSTRIAL AND COMMERCIAL AREAS
FOR 60 KPH SPEED ZONE

LOCALITY STANDARD

CITY OF WANNEROO
TECHNICAL SERVICES



INFRASTRUCTURE SERVICES

FILE No.	DRAWING No	SHEET	REVISION	ORIGINAL DRG. SIZE
	TS 04 - 2 - 0			A3