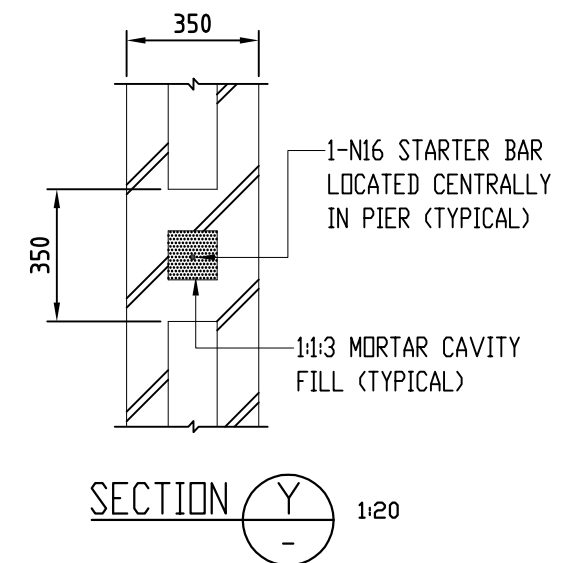
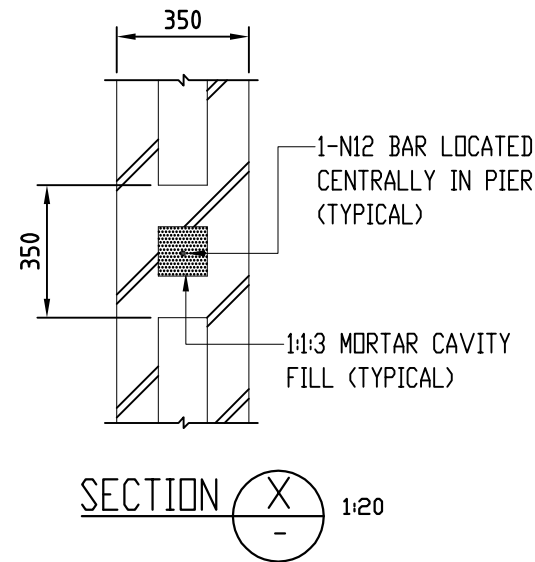
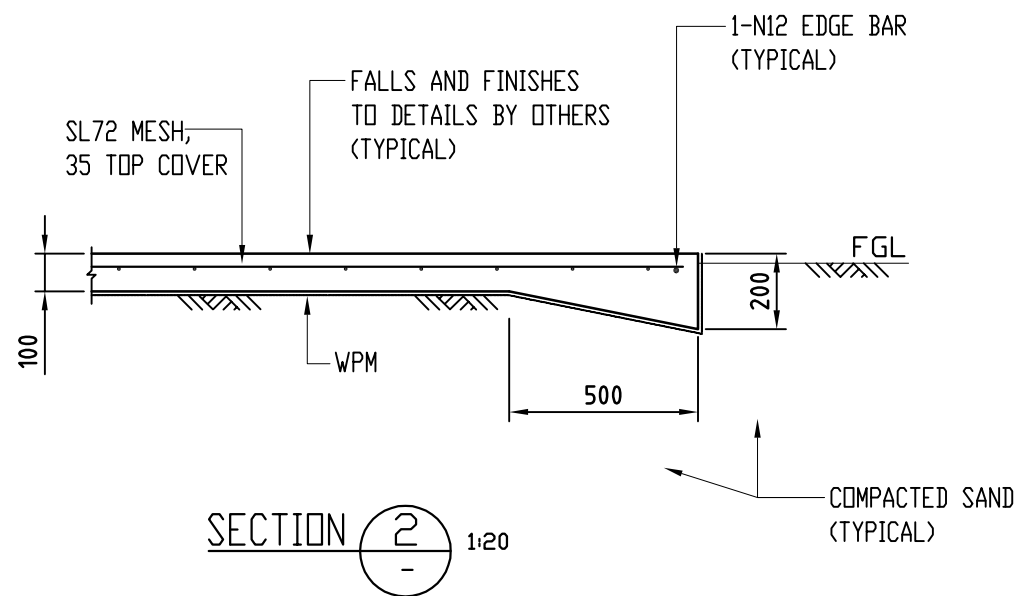
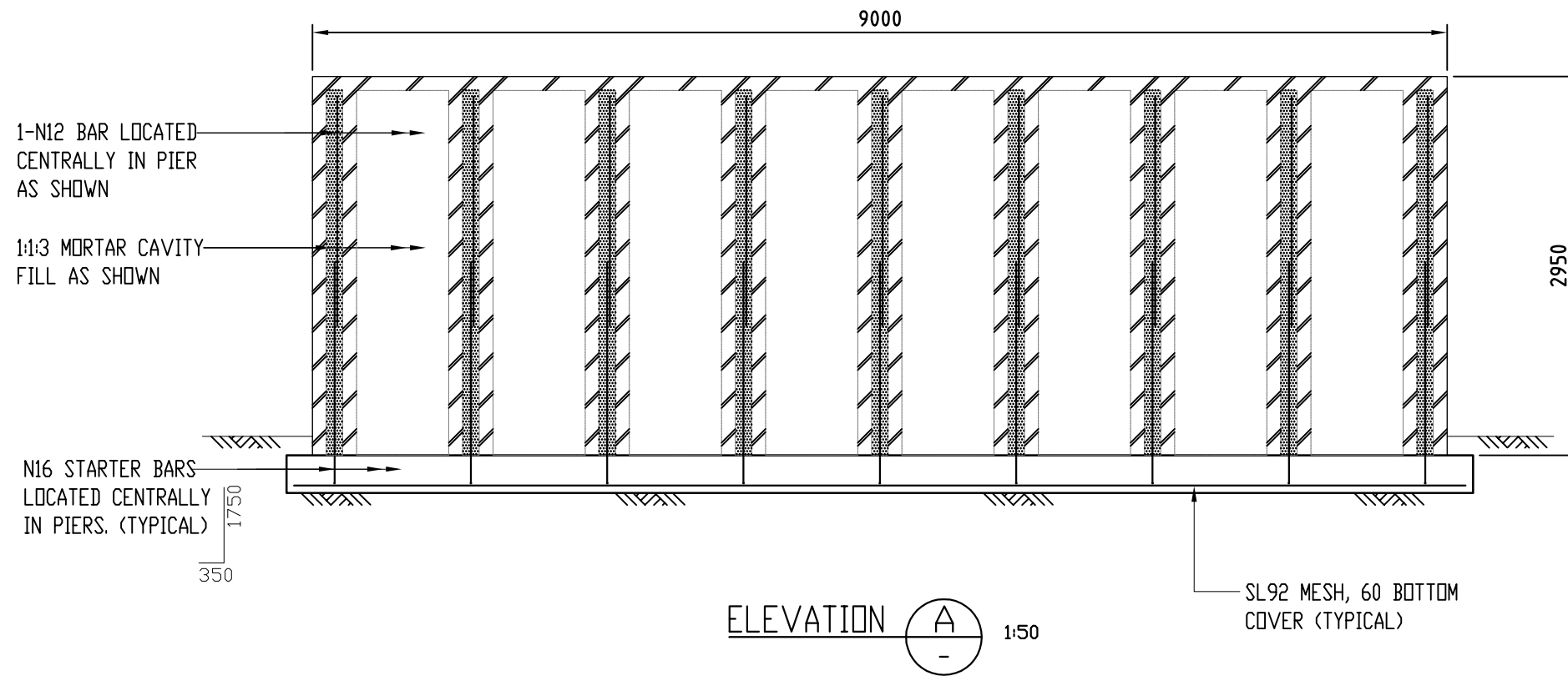


No.	REVISION	BY	DATE	AUTH
0	ISSUED	N.N	12/2006	
1	TITLE BLOCK CHANGED	N.N	02/2007	



* INDICATES SIGNATURES ON ORIGINAL ISSUE OF DRAWING.

SCALE:	DATUM:	GRID:
	N/A	N/A
SURVEYED: N/A SURVEYOR	CHECKED: *M.BEST COORDINATOR PROJECTS DESIGN	12/01/2007
DESIGNED: TERPKOS & SANTILLO PTY LTD 04/2005	AUTHORISED: *P.CALLEY MANAGER INFRASTRUCTURE PROJECTS	12/01/2007
DRAWN: TERPKOS & SANTILLO PTY LTD 04/2005	APPROVED: *D.BLAIR DIRECTOR INFRASTRUCTURE	15/01/2007

SPORTING FACILITIES

HIT-UP WALL
FOOTING, SLAB ON GROUND AND WALL
ELEVATIONS

STANDARD
SHEET 3 OF 3



CITY OF WANNEROO
INFRASTRUCTURE

FILE No. N/A	DRAWING No.	SHEET	REVISION	ORIGINAL DRG. SIZE
PROJECT No. N/A	TS30-9-1			A3