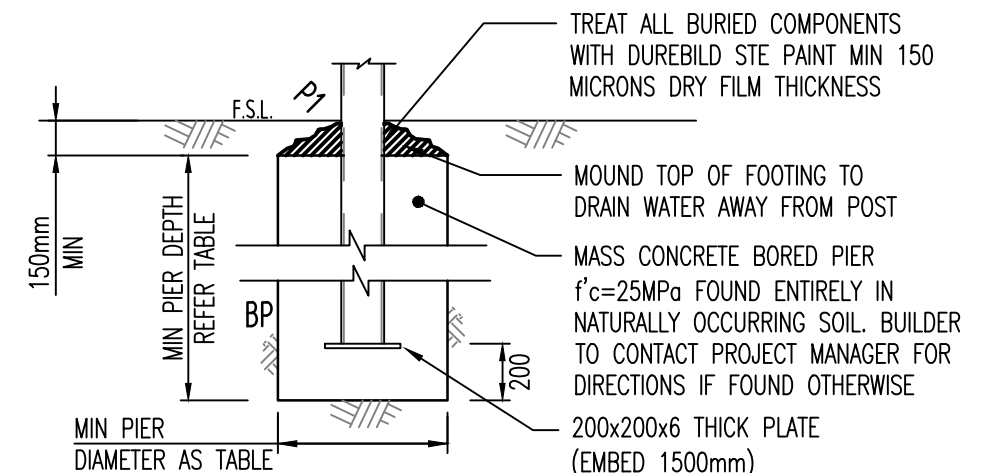
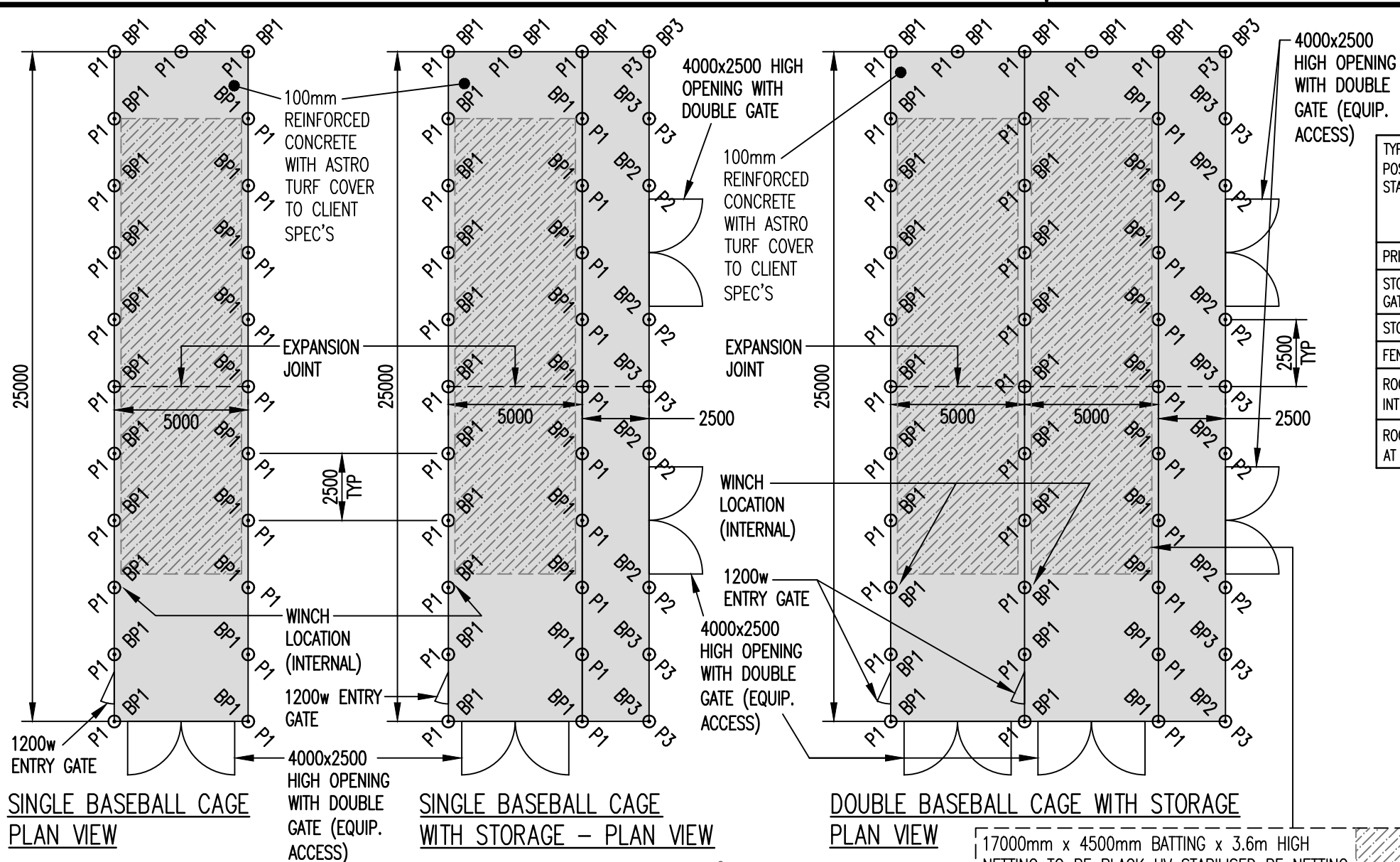


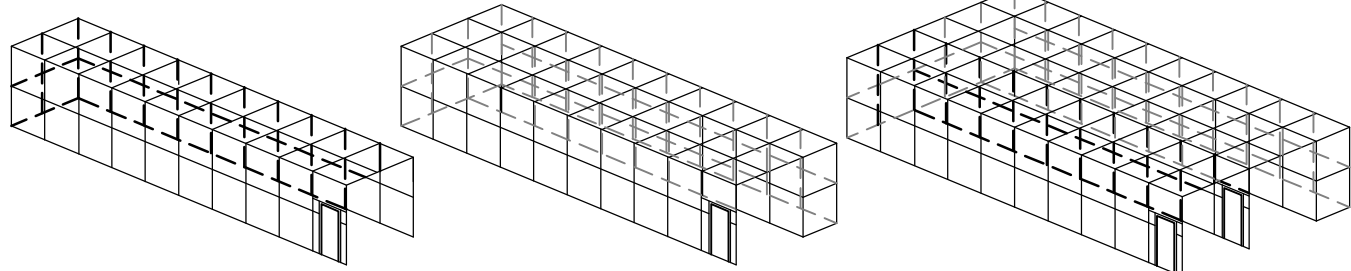
No	REVISION	BY	DATE	AUTH
0.	ISSUED	TENCO	10/2018	

MEMBER SCHEDULE:
FENCE POSTS SHALL BE AS SPECIFIED IN AS1725.1-2010, AS SHOWN IN THE DRAWINGS PROVIDED AND AS SPECIFIED IN THE MEMBER SCHEDULE BELOW:

TYPE OF POST/RAIL STAY	POST LABEL	NOMINAL SIZE (DN) mm	QUALITY	OUTSIDE DIAMETER (OD) mm	MINIMUM WALL THICKNESS (t) mm	FOOTING LABEL		MINIMUM SIZE OF CONCRETE FOOTINGS	
						DIAMETER	DEPTH	DIAMETER	DEPTH
PRIMARY POSTS	P1	DN 100	HEAVY	114.3	5.4	BP1	300	1350	
STORAGE POSTS AT GATE LOCATIONS	P2	DN 65	MEDIUM	76.1	3.6	BP2	300	900	
STORAGE POSTS	P3	DN 40	MEDIUM	48.3	3.2	BP3	250	750	
FENCE PIPE RAILS		DN 32	MEDIUM	42.4	3.2				
ROOF RAILS (STORAGE, INTERMEDIATE AT 1250 CTRS)		DN 40	MEDIUM	48.3	3.2				
ROOF RAILS (BATTING CAGE, AT 2500 CTRS, SPAN 5000)		DN 65	EXTRA HEAVY	76.1	5.9				

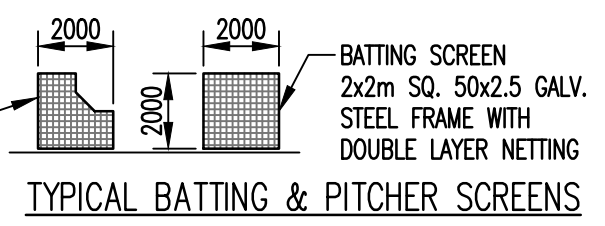


TYPICAL SECTION THROUGH BP FOOTING

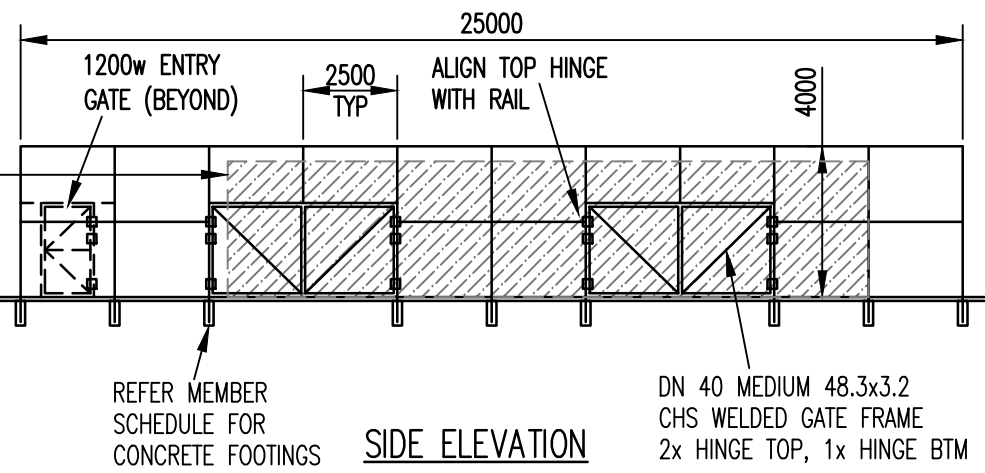


SINGLE - PICTORIAL VIEW NTS
SINGLE WITH STORAGE - PICTORIAL VIEW NTS
DOUBLE WITH STORAGE - PICTORIAL VIEW NTS

17000mm x 4500mm BATTING x 3.6m HIGH NETTING TO BE BLACK UV STABILISED PE NETTING (40 SQUARE MESH x 45 PLY) 7mm HAND STITCHED ROPE BORDER TO ALL EDGES. PROVIDE LEAD CORE ROPE TO BASE OF ALL NETS. PROVIDE DOUBLE NET TO BASE OF ALL NETS. PROVIDE BAFFLE SCREEN NETS TO BATTERS END ON OUTSIDE OF CAGES. NETTING IS TO BE RETRACTABLE VIA HAND WOUND WINCH (TYP)



TYPICAL BATTING & PITCHER SCREENS



REFER MEMBER SCHEDULE FOR CONCRETE FOOTINGS SIDE ELEVATION

DATUM: N/A	GRID: N/A	SURVEYOR: N/A	DESIGNED: TENCO ENGINEERS	CHECKED: P. WILLIAMS 13/11/2018
SCALE: 1:200	SCALE IN METRES		DRAWN: TENCO ENGINEERS 10/2018	COORDINATOR DESIGN
DESIGN ARCHIVE:	DESIGN CHECKED: C. TENNI 22/10/2018	DESIGNER	APPROVED: L. NICHOLSON 13/11/2018	MANAGER INFRASTRUCTURE CAPITAL WORKS
DRAWING ARCHIVE:	STANDARDS/DOCUMENT CONTROL:	PROJECTS TECHNICAL SUPPORT OFFICER	APPROVED: H. SINGH 13/11/2018	DIRECTOR ASSETS

SPORTING FACILITIES
BASEBALL CAGE
SINGLE AND DOUBLE
DETAIL

STANDARD SHEET 1 OF 2

CITY OF WANNEROO TECHNICAL SERVICES

INFRASTRUCTURE SERVICES

FILE No. - DRAWING No. TS 30-17-0 SHEET REVISION ORIGINAL DRG. SIZE A3