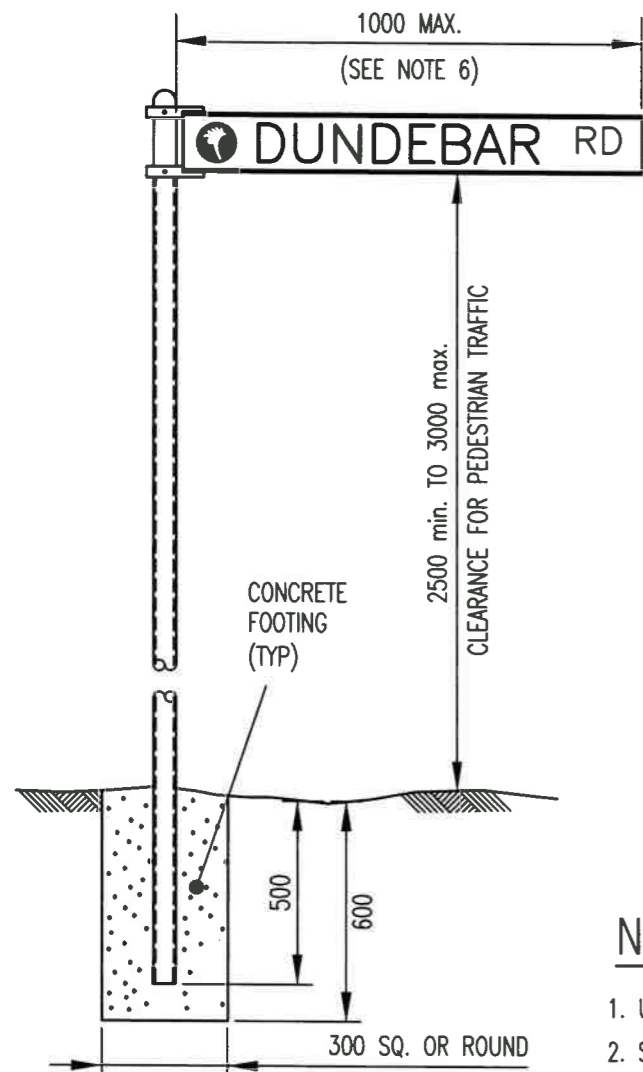
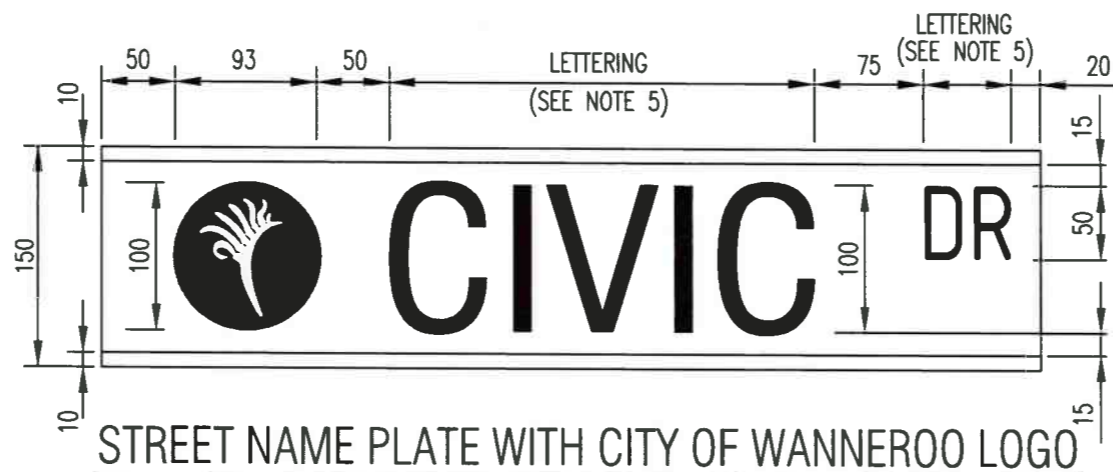


No	REVISION	BY	DATE	AUTH
0.	ISSUED	J.W.T.	8/2001	
1.	AMENDED NOTES No.3 & 4	D.N.	2/2018	B.C.
2.	UPDATED TITLE BLOCK BRAND AND AMENDED NOTE No.3, 4 & 5	D.N.	2/2022	K.T.
3.	UPDATED TITLE BLOCK BRAND	D.N.	8/2022	



**INSTALLATION DETAIL**

SCALE: 1:20



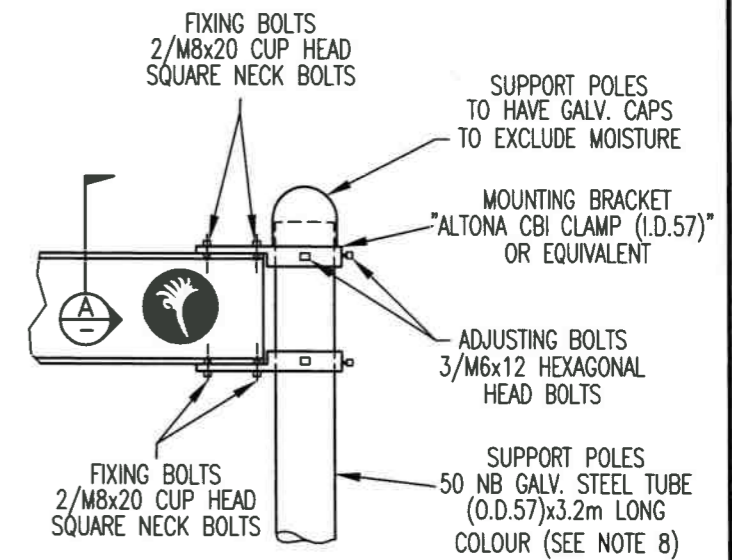
**STREET NAME PLATE WITH CITY OF WANNEROO LOGO**

(LOCAL ROADS)

SCALE: 1:5

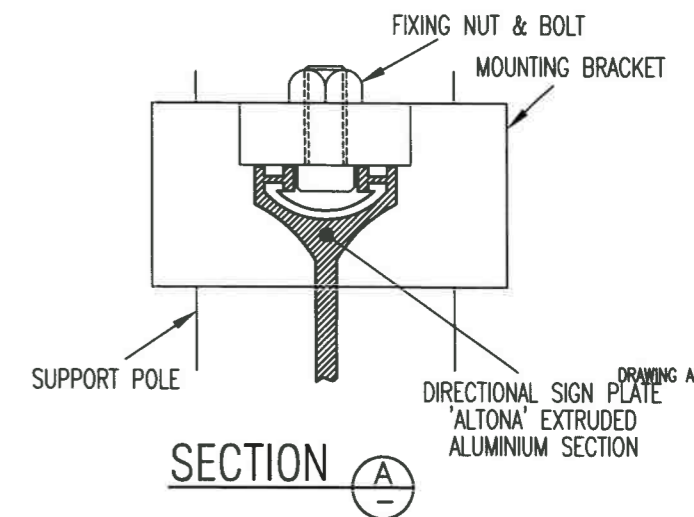
**NOTES:**

- UNLESS OTHERWISE SHOWN ALL DIMENSIONS ARE IN MILLIMETRES.
- STREET NAME PLATES SHALL BE CONSTRUCTED FROM NON-CORROSIVE EXTRUDED ALUMINIUM SECTIONS HAVING A NORMAL DEPTH OF 150mm (FOR LOCAL ROADS) OR 200mm (FOR PRIMARY & DISTRICT DISTRIBUTOR ROADS), AND NOT LESS THAN 3mm THICK.
- STREET NAME PLATE COLOUR CODE SHALL BE AS SPECIFIED BELOW:  
LETTERING: CAST VINYL – PMS 289 (NAVY)  
BACKGROUND: CLASS 400 – REFLECTIVE WHITE
- LOGO COLOUR CODE SHALL BE AS SPECIFIED BELOW USING THE "PANTONE COLOUR MATCHING SYSTEM".  
PMS 289 (NAVY)  
ELECTRONIC IMAGE OF THE LOGO SHALL BE OBTAINED FROM THE CITY OF WANNEROO.
- LETTERING TO BE HELVETICA NEUE 57 CONDENSED CAPITALS.
- FOR SINGLE POLE PLATE MOUNTINGS 120 SERIES B COMPRESSED CAPITAL LETTERING MAY BE USED IN ORDER TO ACCOMMODATE LONG STREET NAMES ONTO 1000mm (max) PLATES.
- STREET SIGN NAME PLATES TO BE CLAMPED BOTH ON TOP AND BOTTOM.

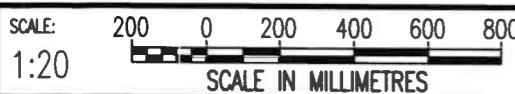


**MOUNTING DETAIL "A" FOR STANDARD LENGTH PLATES**

SCALE: DIAGRAMMATIC



**SECTION A**



DESIGNED: C.O.W. CIVIL DESIGNER	DESIGN CHECKED:	APPROVED: <i>Belinda McCauley</i> Belinda McCauley (497) 2 202 22 50 (M14) COORDINATOR ASSET PLANNING SERVICES	DATE: 02/09/22
DRAWN: C.O.W. CIVIL DESIGNER	DESIGN ARCHIVE:	APPROVED: <i>[Signature]</i> MANAGER ASSET PLANNING	DATE: 02/09/22
DRAWING ARCHIVE:	STANDARDS CHECK: <i>Jason Song</i> TRANSPORT & DRAINAGE ASSET PLANNER	APPROVED: <i>[Signature]</i> DIRECTOR ASSETS	DATE: 02/09/22

**STREET NAME PLATE**

FOR LOCAL ROADS

STANDARD

**CITY OF WANNEROO ASSETS**



FILE No. N/A	DRAWING No. TS 06 -1-3	SHEET 1	REVISION	ORIGINAL DRG. SIZE A3
PROJECT No. N/A				