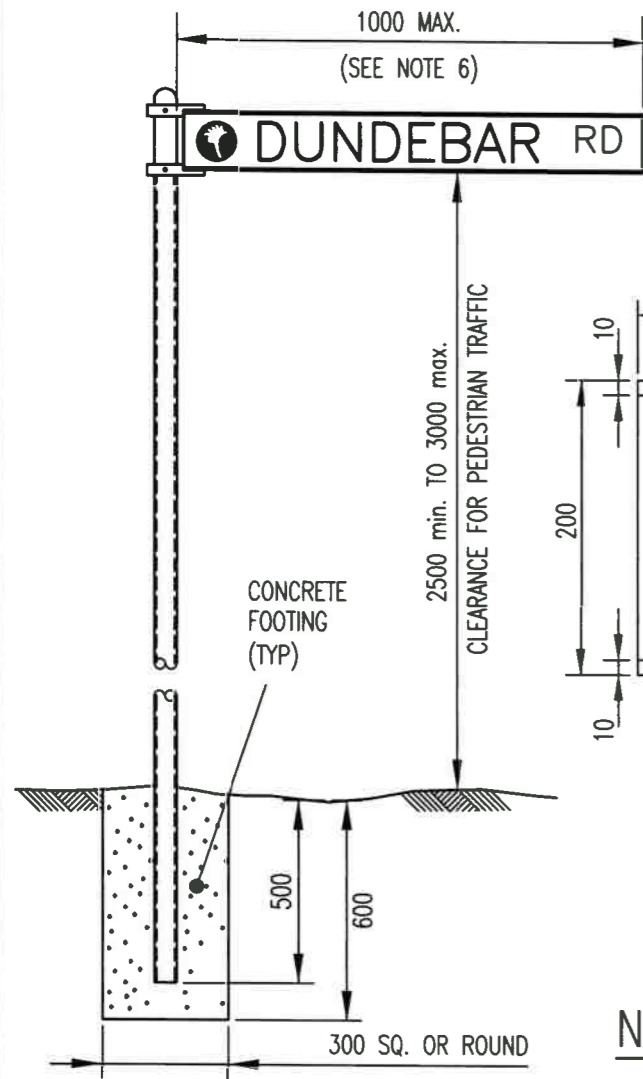
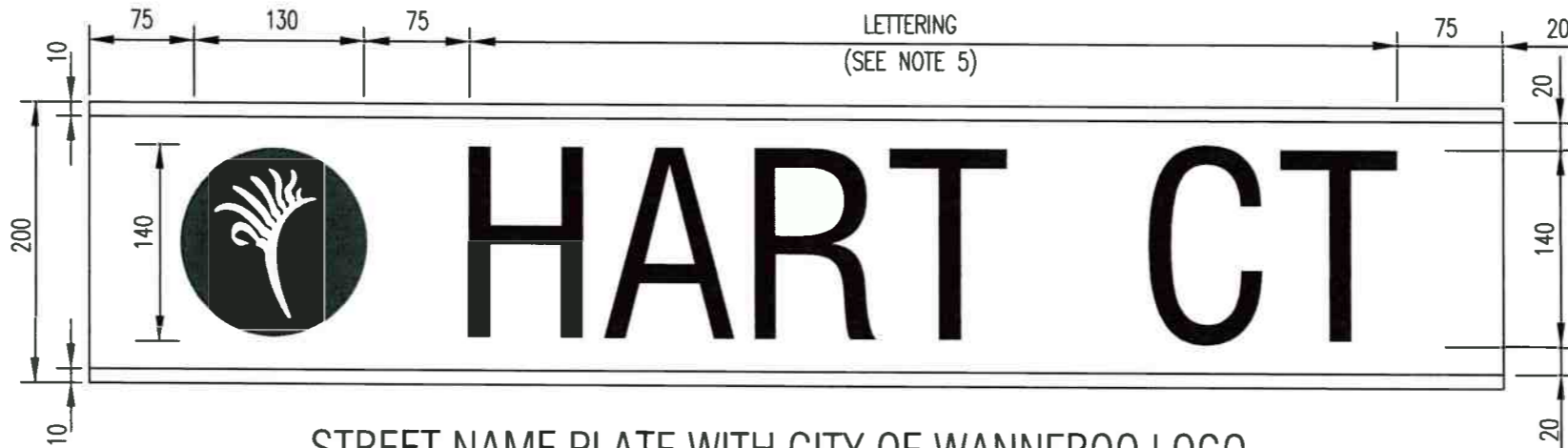


No	REVISION	BY	DATE	AUTH
0.	ISSUED	J.W.T.	8/2001	
1.	AMENDED NOTES No.3 & 4	D.N.	2/2018	B.C.
2.	UPDATED TITLE BLOCK BRAND AND AMENDED NOTE No.3, 4 & 5	D.N.	2/2022	K.T.
3.	UPDATED TITLE BLOCK BRAND	D.N.	8/2022	



INSTALLATION DETAIL

SCALE: 1:20

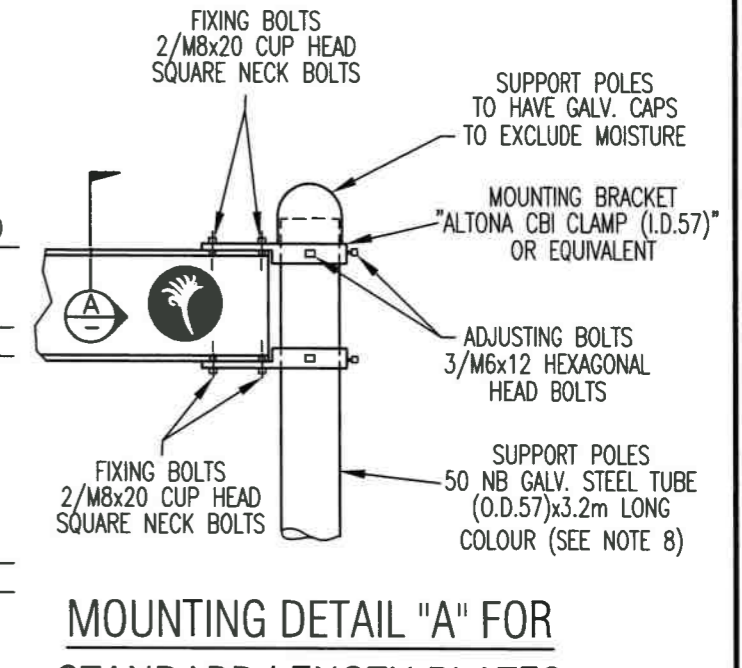


**STREET NAME PLATE WITH CITY OF WANNEROO LOGO
(PRIMARY AND DISTRICT DISTRIBUTOR ROADS)**

SCALE: 1:5

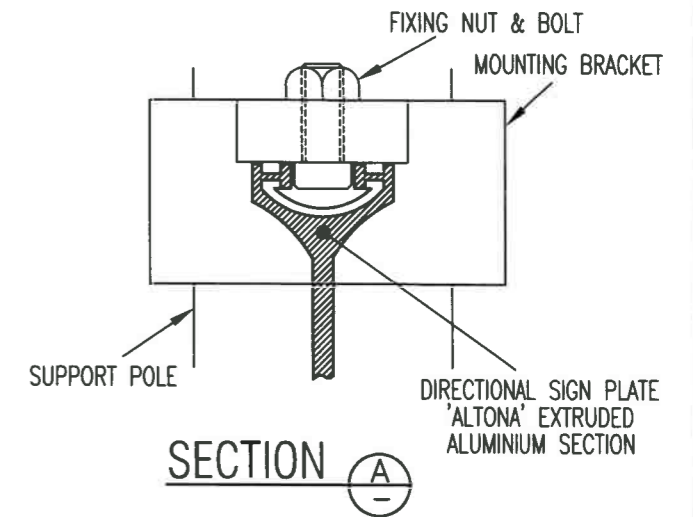
NOTES:

- UNLESS OTHERWISE SHOWN ALL DIMENSIONS ARE IN MILLIMETRES.
- STREET NAME PLATES SHALL BE CONSTRUCTED FROM NON-CORROSIVE EXTRUDED ALUMINIUM SECTIONS HAVING A NORMAL DEPTH OF 150mm (FOR LOCAL ROADS) OR 200mm (FOR PRIMARY & DISTRICT DISTRIBUTOR ROADS), AND NOT LESS THAN 3mm THICK.
- STREET NAME PLATE COLOUR CODE SHALL BE AS SPECIFIED BELOW:
LETTERING: CAST VINYL - PMS 289 (NAVY)
BACKGROUND: CLASS 400 - REFLECTIVE WHITE
- LOGO COLOUR CODE SHALL BE AS SPECIFIED BELOW USING THE "PANTONE COLOUR MATCHING SYSTEM".
PMS 289 (NAVY)
ELECTRONIC IMAGE OF THE LOGO SHALL BE OBTAINED FROM THE CITY OF WANNEROO.
- LETTERING TO BE HELVETICA NEUE 57 CONDENSED CAPITALS.
- FOR SINGLE POLE PLATE MOUNTINGS 120 SERIES B COMPRESSED CAPITAL LETTERING MAY BE USED IN ORDER TO ACCOMMODATE LONG STREET NAMES ONTO 1000mm (max) PLATES.
- STREET SIGN NAME PLATES TO BE CLAMPED BOTH ON TOP AND BOTTOM.

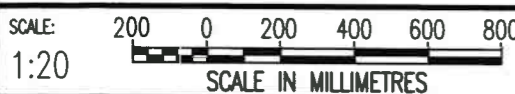


**MOUNTING DETAIL "A" FOR
STANDARD LENGTH PLATES**

SCALE: DIAGRAMMATIC



SECTION A



SCALE: 1:20 SCALE IN MILLIMETRES		DATUM: N/A	GRID: N/A	STREET NAME PLATE FOR PRIMARY AND DISTRICT DISTRIBUTOR ROADS	CITY OF WANNEROO ASSETS			
DESIGNED: C.O.W. CIVIL DESIGNER	DESIGN CHECKED:	APPROVED: <i>Belinda McCawley</i> Belinda McCawley (08/2/2022 12:59:41 PM) COORDINATOR ASSET PLANNING SERVICES	02/09/22		FILE No. N/A	DRAWING No. TS 06 -2 -3		SHEET 2
DRAWN: C.O.W. CIVIL DESIGNER	DESIGN ARCHIVE:	APPROVED: <i>[Signature]</i> MANAGER ASSET PLANNING	02/09/22	STANDARD	PROJECT No. N/A			
DRAWING ARCHIVE:	STANDARDS CHECK: <i>Talish Song</i> Talish Song (02/09/22) TRANSPORT & DRAINAGE ASSET PLANNER	APPROVED: <i>[Signature]</i> DIRECTOR ASSETS	02/09/22					