

SITE SERVICES LAYOUT
SCALE 1:500 @ A1

LEGEND OF SYMBOLS

- DISTRIBUTION BOARD
- UNDERGROUND POWER CONDUIT
- 1P40 INDICATES 1 x 40mm DIA POWER CONDUIT
- 2P40 INDICATES 2 x 40mm DIA POWER CONDUIT
- 1P32 INDICATES 1 x 32mm DIA POWER CONDUIT
- ELECTRICAL CABLE PIT - TYPE ACO CABLE MATE TYPE 66H (665 L x 665 W) COMPLETE WITH GALVANIZED STEEL POWERLOK LID BURIED AT 300mm BELOW FINISHED GROUND LEVEL. REFER TO THE SPECIFICATION FOR FURTHER DETAILS.
- POLE TOP MOUNTED LUMINAIRE
- INDICATES REQUIREMENT TO EXCAVATE EITHER SIDE OF PATH AND PLUNK CONDUIT UNDERNEATH EXISTING PATH AT THE REQUIRED DEPTH TO ENSURE MINIMUM COVER OF 500mm IS ACHIEVED

LIGHTING VARIANTS

PTn - POST TOP LUMINAIRE

VARIANTS

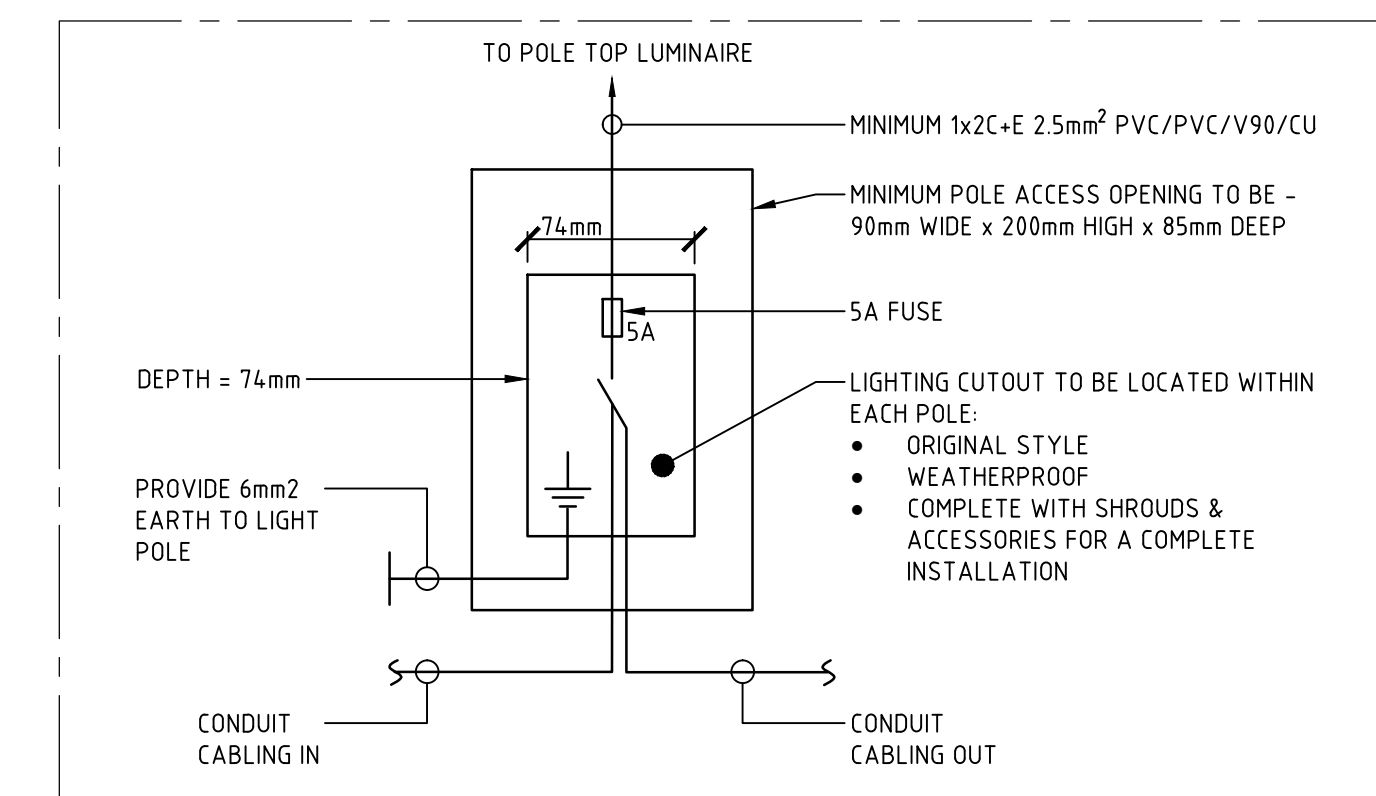
(E) EXISTING DEVICE TO REMAIN

NOTES

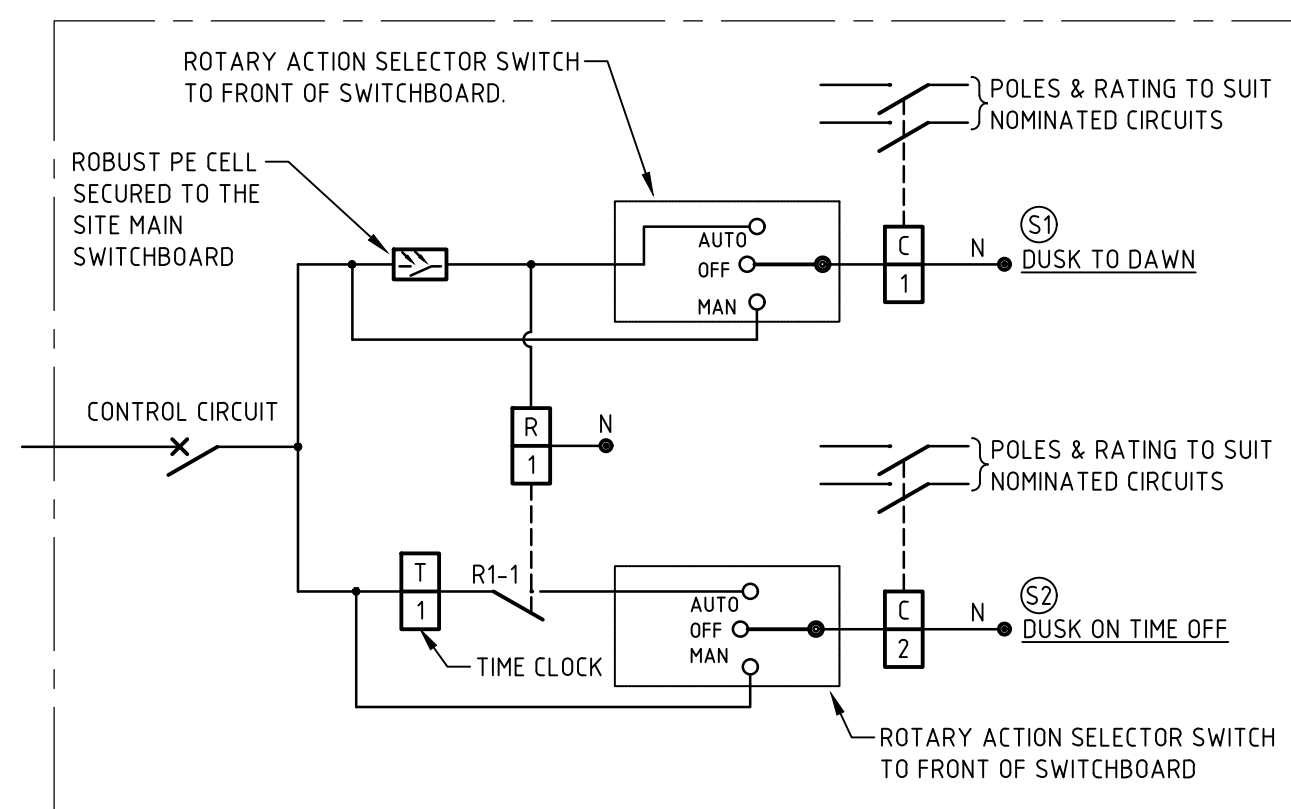
1. PROVIDE 2-OFF NEW C CURVE 10AMP 240V 10xA 30mA RCBOs TO THE EXISTING PAVILION DB, WITH NEW EXTERNAL LIGHTING CONTROLS.
2. REFER TO THE SPECIFICATION FOR LUMINAIRE DETAILS FOR TYPE PT1 POLE MOUNTED LUMINAIRES.
3. LIGHT POLES SHALL BE SET BACK 500mm FROM THE EDGE OF THE PATH.
4. REFER TO THE FINAL CIRCUIT SCHEDULE FOR CIRCUIT DETAIL.
5. GPR SERVICE SCAN FOR EXACT IN GROUND LOCATIONS OF SERVICES TO BE UNDERTAKEN BEFORE COMMENCEMENT OF CONSTRUCTION.
6. ALL DISTURBANCES TO EXISTING RETICULATION AND TURF SHALL BE REINSTATED. REFER TO SPECIFICATION FOR DETAILS.
7. TRENCHING AND BACKFILLING SHALL BE DONE TO THE CITY'S SPECIFICATIONS.
8. SET OUT TO BE APPROVED BY THE CITY OF WANNEROO PROJECT OFFICER PRIOR TO WORKS PROCEEDING.
9. ANY DISCREPANCIES TO BE REPORTED TO CITY OF WANNEROO PROJECTS OFFICER PRIOR TO UNDERTAKING OF CONSTRUCTION WORKS.
10. DURING EXCAVATION ENSURE THAT ROOTS GREATER THAN 300mm IN DIAMETER ARE PREDOMINANTLY RETAINED INTACT.
11. THE PARKING OF VEHICLES, TOOLS, EQUIPMENT AND MATERIALS STORAGE SHALL BE LOCATED WITHIN THE OPEN AREAS A MINIMUM OF 6m FROM THE BASE OF ALL ADJACENT TREES.
12. AS CONSTRUCTED DRAWING SHALL BE PREPARED TO THE CITY'S SPECIFICATIONS.
13. UNDERGROUND CONDUIT RISES SURFACE SECURED TO THE WALL OF THE PAVILION BEFORE PENETRATING THE BUILDING FABRIC INTO THE ROOF VOID. PROVIDE TOP HAT POWDER COATED TO CLIENT DIRECTION FROM 10mm AFFL TO SOFFIT LEVEL TO CONCEAL CONDUIT.
14. PROVIDE TWO(2) ACCESS HATCHES WITHIN POLE AND INCLUDE IP65 JUNCTION BOX IN LOWER HATCH TO PERMIT CIRCUIT DIVERSION.
15. WITH THE EXCEPTION OF NOTE 14, ZERO CABLE JOINTS ARE PERMITTED.
16. TRENCHING FOR CONDUIT INSTALLATION TO BE AS CLOSE TO THE PARALLEL FOOTPATH AS POSSIBLE WITHOUT CAUSING ANY DAMAGE TO THE FOOTPATH.
17. CONDUIT BETWEEN POLE MOUNTED LUMINAIRES TO BE BORED/ DIRECTLY DRILLED.

FINAL CIRCUIT SCHEDULE

REF	DESCRIPTION	CABLE DETAILS	CIRCUIT PROTECTION
L1	CONTROL EXTERNAL PATHWAY LIGHTING(S)	2x1Core 10mm ² PVC/PVC & SEPARATE 1 x 1Core 10mm EARTH (COPPER CONDUCTORS)	10AMP 30mA RCBO TO MATCH EXISTING TYPE FOR TENDER ALLOW FOR SCHNEIDER
L2	CONTROL EXTERNAL PATHWAY LIGHTING(S)	2x1Core 10mm ² PVC/PVC & SEPARATE 1 x 1Core 10mm EARTH (COPPER CONDUCTORS)	10AMP 30mA RCBO TO MATCH EXISTING TYPE FOR TENDER ALLOW FOR SCHNEIDER

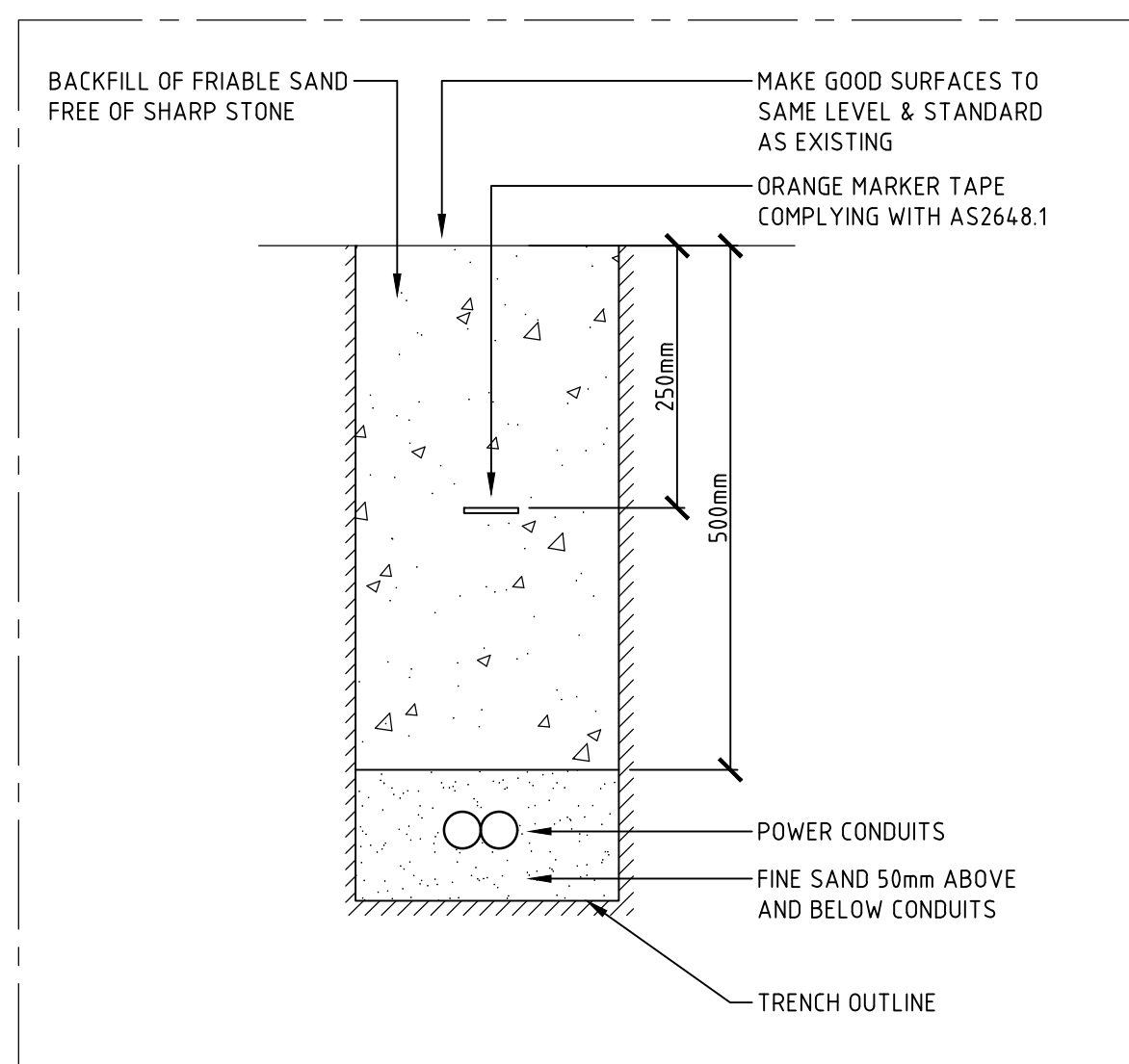


POLE CABLING CONNECTION DETAIL
N.T.S

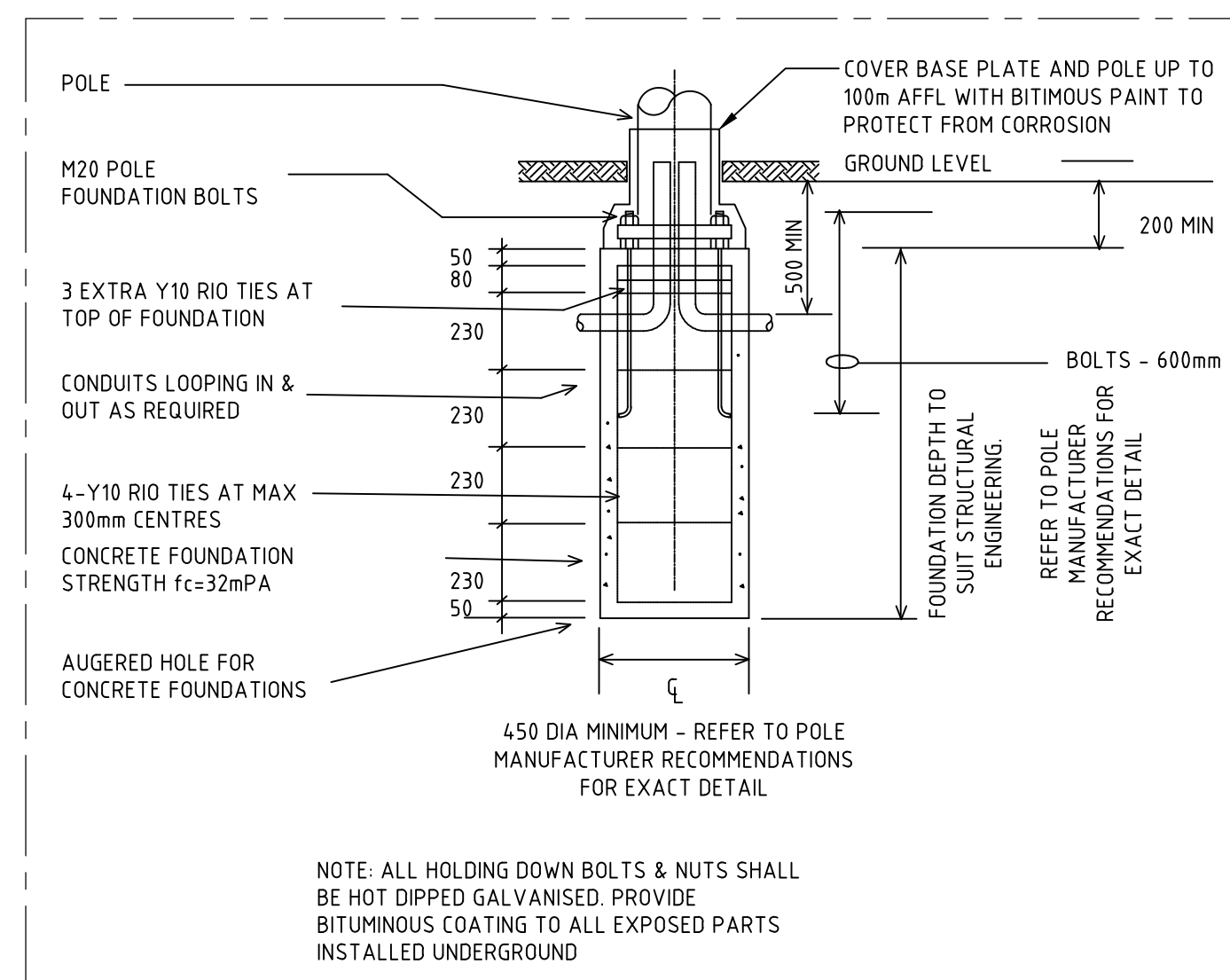


EXTERNAL LIGHTING CONTROL SCHEMATIC FOR INCLUSION INTO EXISTING PAVILION DB

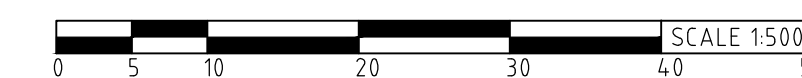
- NOTES**
1. LIGHTING CONTROLS SHALL BE MOUNTED WITHIN PAVILION DB. ALL NEW CIRCUITS SHALL BE CONTROLLED VIA CONTACTOR 1. PROVIDE CONTACTOR 2 FOR FUTURE TIMED CONTROL.



TYPICAL POWER CONDUIT INSTALLATION
N.T.S



TYPICAL POLE FOUNDATION - ELEVATION
N.T.S



CONSTRUCTION ISSUE
REFER TO REVISION COLUMN

* INDICATES SIGNATURES ON ORIGINAL ISSUE OF DRAWING.

AUTHORISED:	DATE:	AUTHORISED:	DATE:
* P. HOOLE	17/11/2022	* G. CHETTLEBURGH	17/11/2022
A/MANAGER COMMUNITY FACILITIES		MANAGER PARKS & CONSERVATION MANAGEMENT	
AUTHORISED:	DATE:	FINANCE CODE:	PMO No.:
* B. WHITFIELD	17/11/2022	PR-4375	22025
A/MANAGER INFRASTRUCTURE CAPITAL WORKS			
AUTHORISED:	DATE:	DRAWING SET REF:	PMO CONTAINER No.:
* P. WILLIAMS	16/11/2022	22/282599	44471
DESIGNER			
* H. SINGH	17/11/2022		
DIRECTOR ASSETS			

FOCUS CONSULTING WA
PO BOX 138, LEEDERVILLE WA 6007
Ph: 0408 721 187
info@focuswa.com.au
FOCUS WA PROJ. No: 2122.178

CITY OF WANNEROO
ASSETS

EDGAR GRIFFITHS DOG EXERCISE PARK
NEW LIGHTING
PROPOSED LIGHTING LAYOUT
WANNEROO

ELECTRICAL DESIGN
SITE PLAN AND DETAILS - SHEET 1 OF 1

DRAWING No. SHEET REVISION ORIGINAL DRG. SIZE

4241 - 1 - 0 A1

No.	REVISION	BY	DATE	AUTH	No.	REVISION	BY	DATE	AUTH	SCALE:	SURVEYED:	DRAWN:
A	ISSUED FOR APPROVAL	PRJ	24.08.22	PRJ							NA	
0	ISSUED FOR CONSTRUCTION	PRJ	08.11.22	PRJ							09/2020	

DATE:	GRID:	CHECKED:	COORDINATOR DESIGN:
09/2020	LOCAL	P. JEFFS	P. WILLIAMS